



FW300B woofer

FEATURE

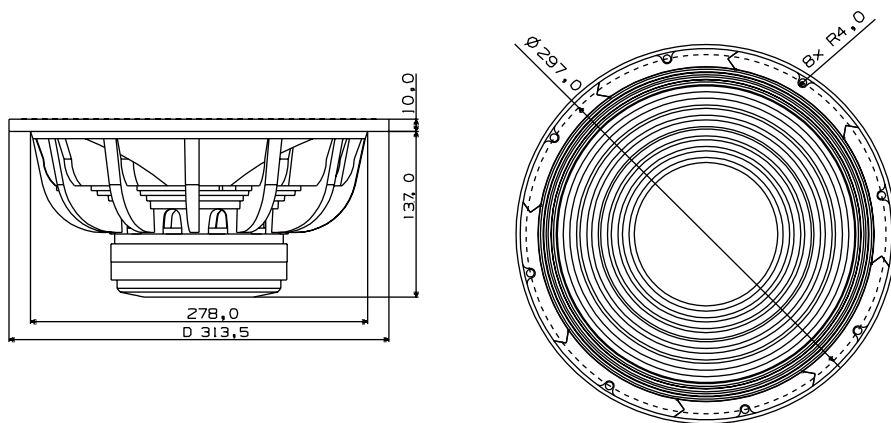
- ferrite magnet
- +/-8mm linear excursion
- pressed paper cone
- 50mm diameter 4 layers voice coil
- cloth surround

41

SPL vs Freq



frequency response vs impedance - dual voice coil in series



Mechanical drawing

Specifications		Magnet System	
Overall Dimensions	314x148xmm	Magnet system type	Outsiade
Net. Weight	7.5 KG	Magnetic Gap Height	8mm
Nominal Power Handlng	300 W	Flux Density	0.86T
Nominal Impedance	8 Ohms	Product	16.9Tm
Sensitivity 1W/1M	90.6 dB	Linear Excursion	8mm+/-
Frequency Response	25-1 KHz	T/S Parameter	
Resonant frequency	28.3 Hz	Cms	338.0 uM/N
Voice Coil		Sd	514.7 cm <sup>2</sup>
Voice Coil Diameter	50 mm	Vas	127.2 mL
Voice Coil Height	24 mm	Mmd	86.64 g
Voice Coil Former	aluminum	Mms	93.36 g
Voice Coil Wire	copper round	Qms	1.398
Number of Layers	4	Qes	0.392
DC Resistance	6.8 Ohms	Qts	0.306
Levc @1KHz	3.93 mH	RevC	6.750 ohm