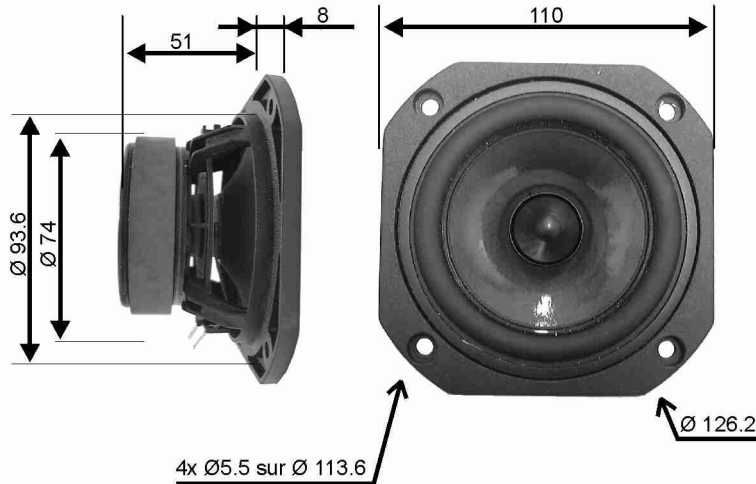
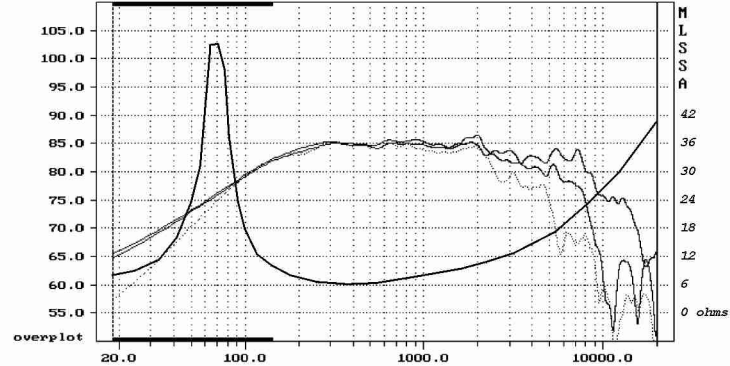


4" Bass Midrange HDA cone 8 ohms

HM100Z2



Non resonant die cast chassis
High loss rubber surround
High temperature voice coil



Nominal impedance . . . 8 ohms
Resonance 70.24 Hz
Power handling (IEC) 40 W
Sensitivity (2.83V/1m) 86.5 dB

Resistance (DC) 6.46 ohms
Inductance 0.68 mH
Xmax ± 2.5 mm
Qms 3.81
Qes 0.46
Qts 0.41
Vas 3.89 l

Voice coil diam. 25 mm
Voice coil length 9 mm
Former kapton
Layer(s) 1
Wire type flat
Force factor 5.39 NA
Moving mass 4.68 gr

Cone material HDA
Suspension rubber
Chassis die cast
Total mass 0.70 kg

