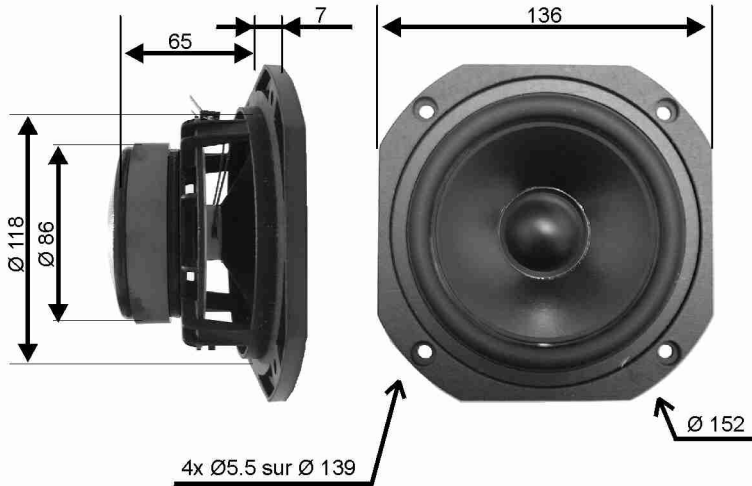
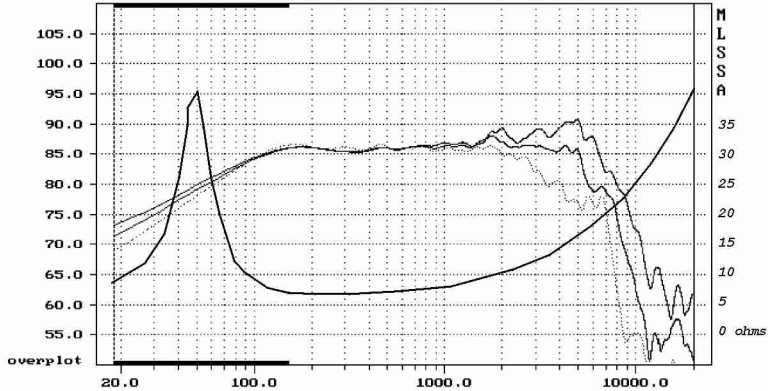


5" Bass Midrange coated cone 8 ohms

HM130G14



Non resonant die cast chassis
High loss rubber surround
High temperature voice coil



Nominal impedance . . . 8 ohms
Resonance 57.08 Hz
Power handling (IEC) 50 W
Sensitivity (2.83V/1m) 86.4 dB

Resistance (DC) 6.07 ohms
Inductance 0.54 mH
Xmax ± 3.1 mm
Qms 2.98
Qes 0.57
Qts 0.48
Vas 8.83 l

Voice coil diam. 25 mm
Voice coil length 11.2 mm
Former kapton
Layer(s) 1
Wire type flat
Force factor 5.72 NA
Moving mass 8.58 gr

Cone material . . . coated paper
Suspension rubber
Chassis die cast
Total mass 1.10 kg

