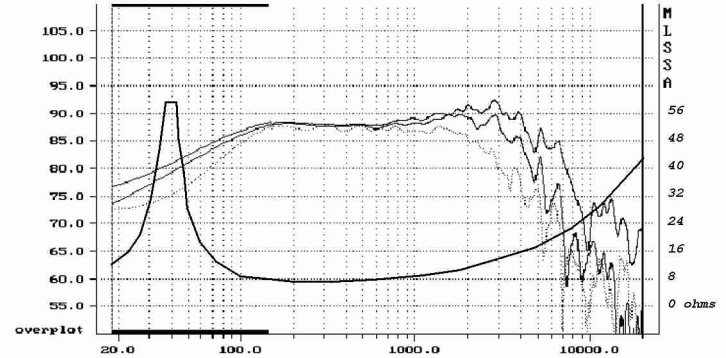
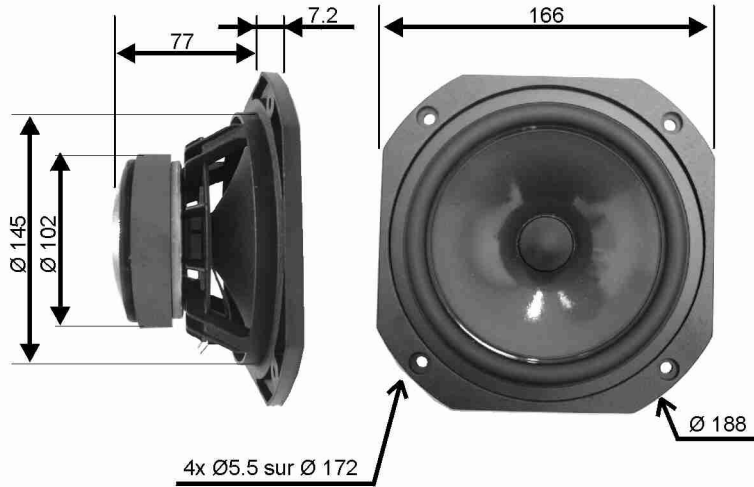


**6" Bass HDA cone 8 ohms**

**HM170Z18**

Non resonant die cast chassis  
High loss rubber surround  
High temperature voice coil



Nominal impedance... 8 ohms  
Resonance... 38.90 Hz  
Power handling (IEC)... 60 W  
Sensitivity (2.83V/1m)... 89.3 dB  
  
Resistance (DC)... 5.70 ohms  
Inductance... 0.72 mH  
Xmax...  $\pm 3.25$  mm  
Qms... 4.07  
Qes... 0.38  
Qts... 0.34  
Vas... 35.39 l

Voice coil diam... 30 mm  
Voice coil length... 12.5 mm  
Former... kapton  
Layer(s)... 1  
Wire type... flat  
Force factor... 6.58 NA  
Moving mass... 11.71 gr  
  
Cone material... HDA  
Suspension... rubber  
Chassis... die cast  
Total mass... 1.3 kg

