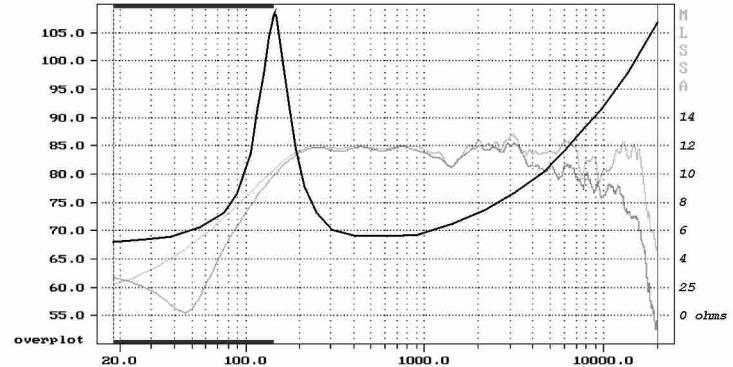
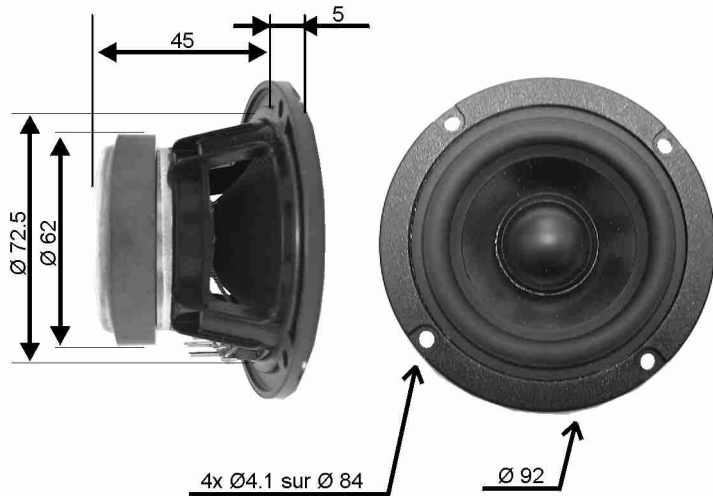


Non resonant high impact polymere chassis
High loss rubber surround
High temperature voice coil



Nominal impedance 6 ohms
Resonance 117.75 Hz
Power handling (IEC) 25 W
Sensitivity (2.83V/1m) 85.4 dB

Resistance (DC) 4.84 ohms
Inductance 0.40 mH
Xmax ± 1.6 mm
Qms 2.21
Qes 0.67
Qts 0.51
Vas 0.93 l

Voice coil diam. 20 mm
Voice coil length 7.2 mm
Former aluminium
Layer(s) 2
Wire type round
Force factor 3.69 NA⁻¹
Moving mass 2.52 gr

Cone material coated paper
Suspension rubber
Chassis polymer
Total mass 0.30 kg

