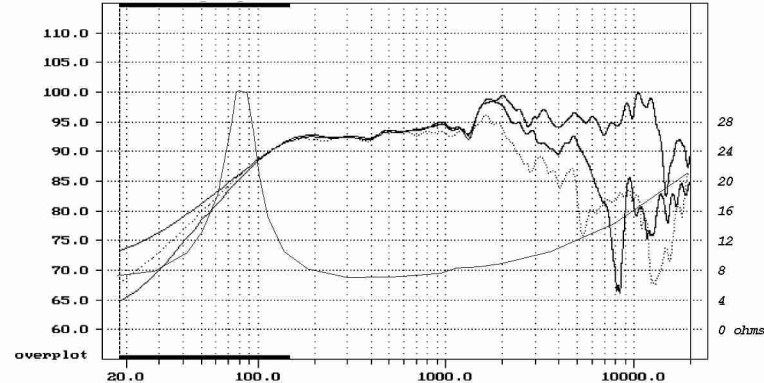
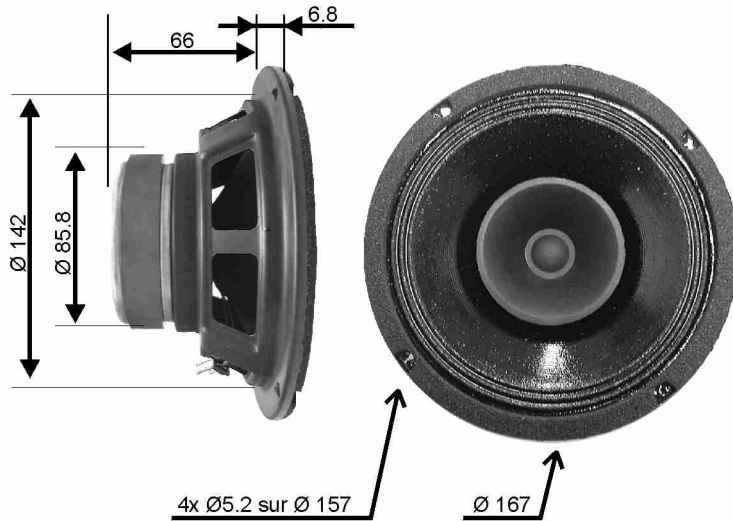


Full range with bi-cone technology : 120 to 15 000 Hz
Coated paper cone and coated textile surround
High temperature voice coil



Nominal impedance 8 ohms
Resonance 73.07 Hz
Power handling (IEC) 35 W
Sensitivity (2.83V/1m) 93.5 dB

Resistance (DC) 5.66 ohms
Inductance 0.42 mH
Xmax ± 0.5 mm
Qms 2.45
Qes 0.51
Qts 0.42
Vas 19.22 l

Voice coil diam. 25 mm
Voice coil length 6 mm
Former aluminium
Layer(s) 2
Wire type round
Force factor 5.91 NA⁻¹
Moving mass 6.89 gr

Cone material coated paper
Suspension coated textile
Chassis stamped steel
Total mass 0.95 kg

