

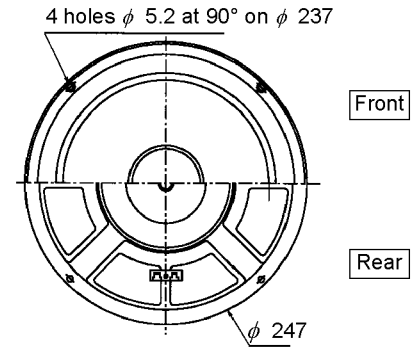
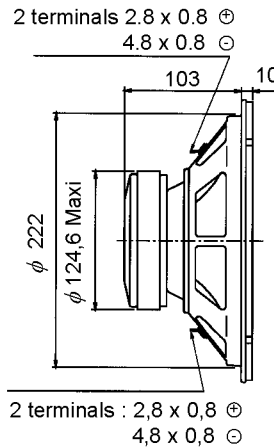
## WOOFER

HT240Z0 W08ZGV3712  
102023H

### 10" HDA Cone Driver Dual Coil - 240 mm - 2 x 8 Ω

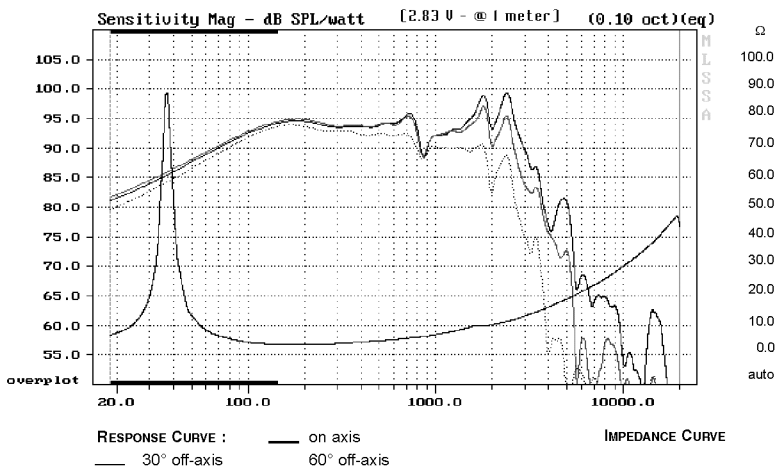


- HDA (High Definition Aerogel) cone  
Polyethylene laminate
- High efficiency (93 dB)
- High loss rubber surround
- Double bobbin
- Kapton former
- Heavy duty steel chassis
- Vented pole piece
- Bumped back plate for long excursion

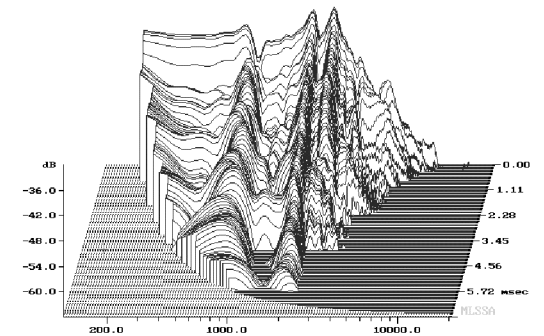


All dimensions in mm

## Response Curve



## Waterfall



## SPECIFICATIONS

Technical characteristics	Symbol	Value	Units
<b>PRIMARY APPLICATION</b>			
Nominal Impedance	Z	4	Ω
Resonance Frequency	Fs	40	Hz
Nominal Power Handling	P	90	W
Sensitivity (2,83 V / 1 m)	E	93	dB
<b>VOICE COIL</b>			
Voice Coil Diameter	φ	40	mm
Minimum Impedance	Zmin	3,6	Ω
DC Resistance	Re	3,0	Ω
Voice Coil Inductance	Lbm	0,91	mH
Voice Coil Length	h	-	mm
Former	-	kapton	-
Number of Layers	n	2 x 2	-

## MAGNET

Magnet Dimensions	φ x h	120 x 20	mm
Magnet Weight	m	0,88	kg
Flux Density	B	1,2	T
Force Factor	BL	8,5	NA <sup>-1</sup>
Height of Magnetic Gap	He	6	mm
Stray Flux	Fmag	-	Am <sup>2</sup>
Linear Excursion	Xmax	± 4	mm

## PARAMETERS

Suspension Compliance	Cms	45.10 <sup>-3</sup>	mN <sup>-1</sup>
Mechanical Q Factor	Qms	12,4	-
Electrical Q Factor	Qes	0,38	-
Total Q Factor	Qts	0,37	-
Mechanical Resistance	Rms	-	kg s <sup>-1</sup>
Moving Mass	Mms	36,5.10 <sup>-3</sup>	kg
Effective Piston Area	S	3,58.10 <sup>-2</sup>	m <sup>2</sup>
Volume Equivalent of Air at Cas	Vas	70.10 <sup>-3</sup>	m <sup>3</sup>
Mass of Speaker	M	2,5	kg

## Suggested Applications

Vb	Fb	Dp	Lp	F-3
liters	Hz	cm	cm	Hz
45	55	6,6	2,6	50
60	51	10	7,7	45