

## TWEETER

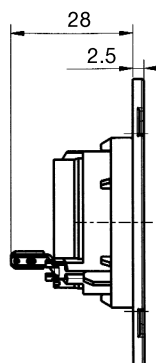
TM020J3 D08TTZ0065  
102119N

102306L

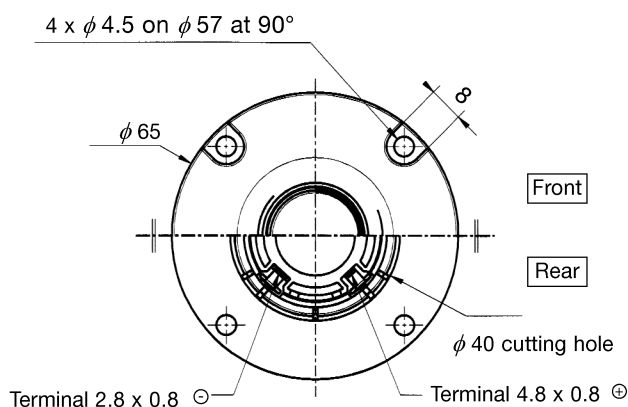
March '99

### Hi Fi . Round . Textile 8 Ω

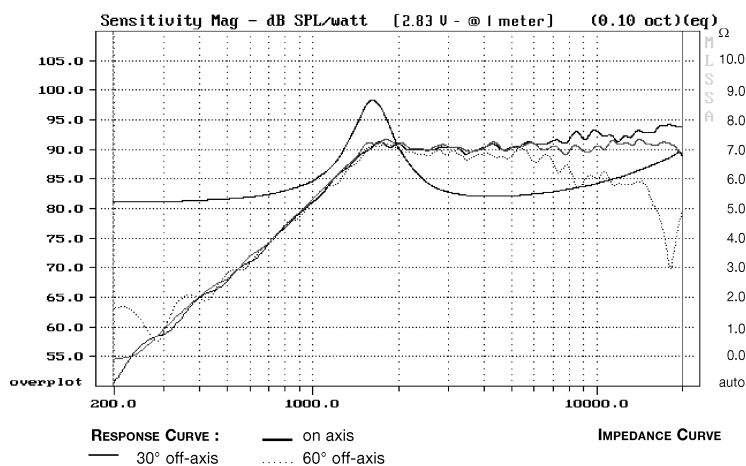
- Catenary profile textile dome - PE laminate
- Compact design for small high-end systems
- Smooth response face plate profile
- Ultra light copper clad aluminium wire
- High energy neodymium magnet (20 times ceramic magnet)
- Ferrofluid cooled voice coil (new generation : 250 cps)
- Inherently shielded magnet system for audio / video application



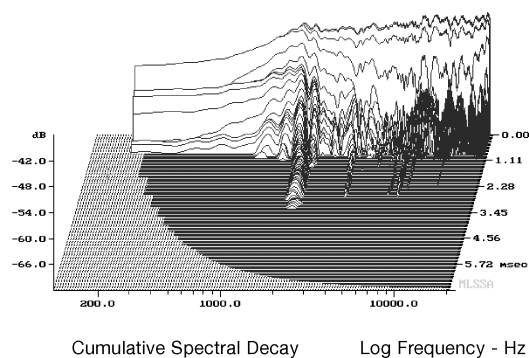
All dimensions in mm



## Response Curve



## Waterfall



## SPECIFICATIONS

Technical characteristics	Symbol	Value	Units
<b>PRIMARY APPLICATION</b>			
Nominal Impedance	Z	6	Ω
Resonance Frequency	Fs	1579	Hz
Nominal Power Handling	P	40	W
Sensitivity (2,83 V - 1m)	E	92	dB
<b>VOICE COIL</b>			
Voice Coil Diameter	φ	20	mm
Minimum Impedance	Zmin	5,4	Ω
DC Resistance	Dcr	4,88	Ω
Voice Coil Inductance	Lbm	0,02	mH
Voice Coil Length	h	1,7	mm
Former	-	Aluminium	-
Number of Layers	n	2	-
Wire type	-	round	-
Wire material	-	Aluminium	-

## MAGNET

Magnet Dimensions	φ x h	20 x 0,4	mm
Magnet Weight	m	8,9	kg
Flux Density	B	1	T
Force Factor	BL	-	NA <sup>-1</sup>
Height of Magnetic Gap	He	0,2	mm
Stray Flux	Fmag	-	Am <sup>-1</sup>
Linear Excursion	Xmax	± 0,15	mm

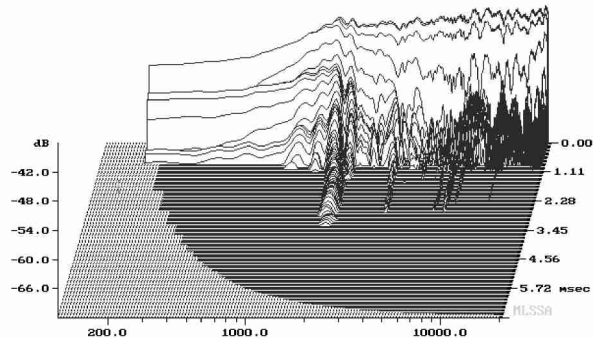
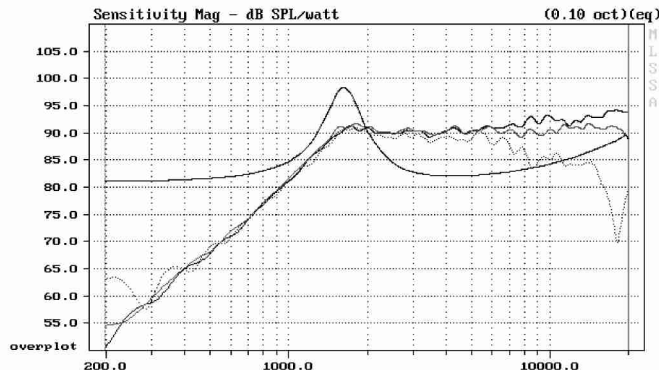
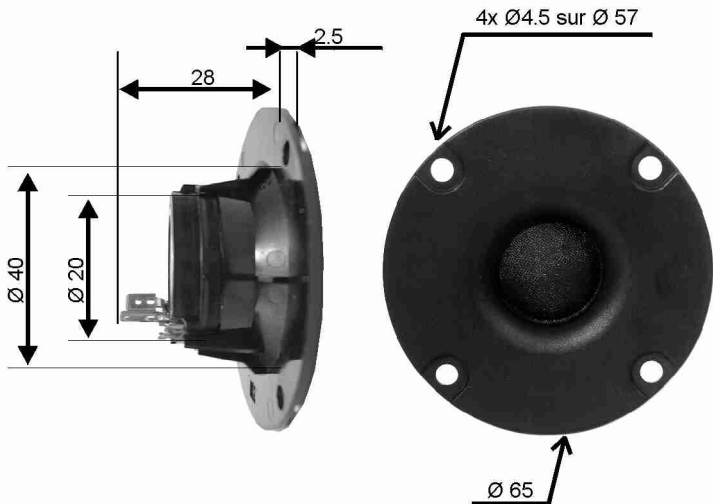
## PARAMETERS

Suspension Compliance	Cms	-	μm/N
Mechanical Q Factor	Qms	2,32	-
Electrical Q Factor	Qes	3,19	-
Total Q Factor	Qts	1,34	-
Mechanical Resistance	Rms	-	kg s <sup>-1</sup>
Moving Mass	Mms	-	g
Effective Piston Area	S	3,14	cm <sup>2</sup>
Volume Equivalent of Air at Cas	Vas	-	liters
Mass of Speaker	M	50	g

## Suggested Application

Crossover Frequency	Slope	Inductance	Capacitor	Power Handling
Hz	dB / Oct.	mH	mF	W
6770	6	-	4,7	40
3250	12	0,3	8	40

High energy neodymium magnet  
Round light design  
Ferrofluid cooled voice coil



Nominal impedance . . . . . 6 ohms	Voice coil diam. . . . . 20 mm
Resonance . . . . . 1579 Hz	Voice coil length . . . . . 1.7 mm
Power handling (IEC) . . . . . 40 W	Former . . . . . aluminium
Sensitivity (2.83V/1m) . . . . . 92.0 dB	Layer(s) . . . . . 2

Resistance (DC) . . . . . 4.88 ohms	Cone material . . . . . coated textile
Inductance . . . . . 0.02 mH	Chassis . . . . . polymer
Xmax . . . . . ± 0.15 mm	Total mass . . . . . 50 gr

Compact overmoulded magnet system  
Inherently shielded  
Smooth response face plate profile