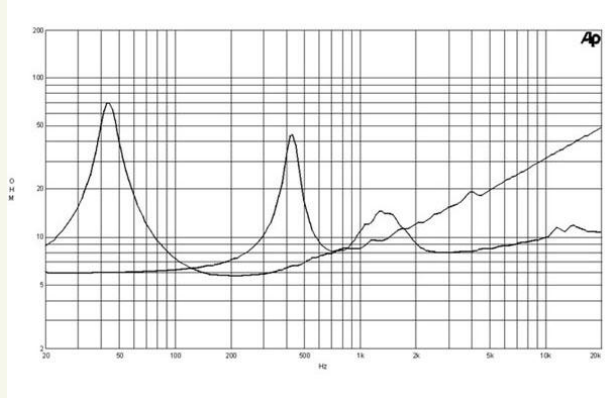
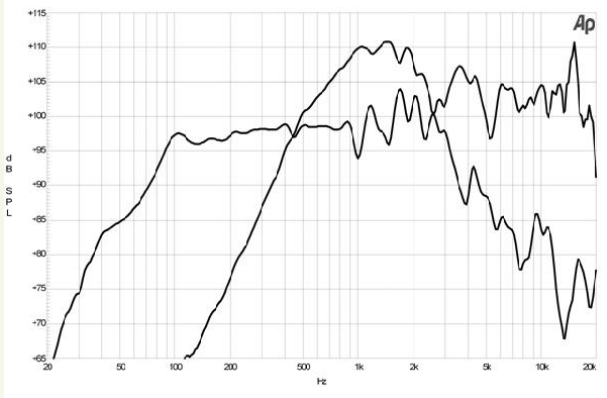




15CX40 | Coaxials

800 W continuous program power capacity
 80° nominal coverage
 45 – 20000 Hz response
 99 dB sensitivity
 XO-4 dedicated crossover network



Horns
 HF Drivers
 Coaxials
 LF Nd Drivers
 LF Drivers

Specifications

Nominal Diameter	380 mm (15 in)
Nominal Impedance	8 ohm
Minimum Impedance	5.8 ohm (LF) 7.9 ohm (HF)
Frequency Range	45 - 20000 Hz
Dispersion Angle (1)	80°
LF Unit	
Sensitivity (1W/1m) (2)	99 dB
Nominal Power Handling (3)	400 W
Continuous Power Handling (4)	800 W
Voice Coil Diameter	76 mm (3 in)
Winding Material	Aluminium
HF Unit	
Sensitivity (1W/1m) (5)	106 dB
Nominal Power Handling (6)	80 W
Continuous Power Handling (7)	160 W
Voice Coil Diameter	75 mm (3 in)
Winding Material	Aluminium
Diaphragm Material	Titanium
Recom. Crossover (8)	1.2 kHz

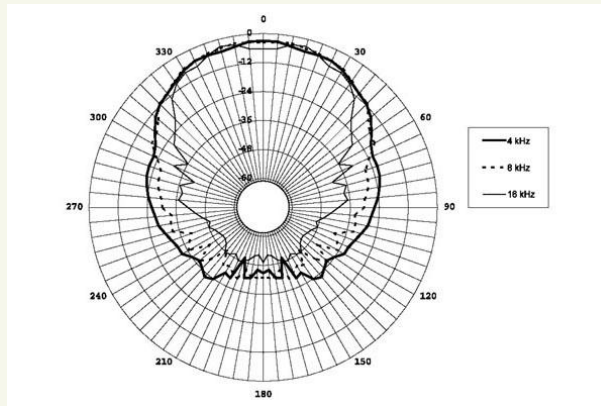
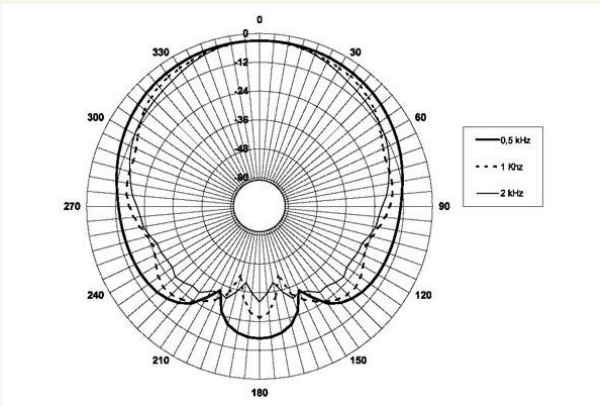
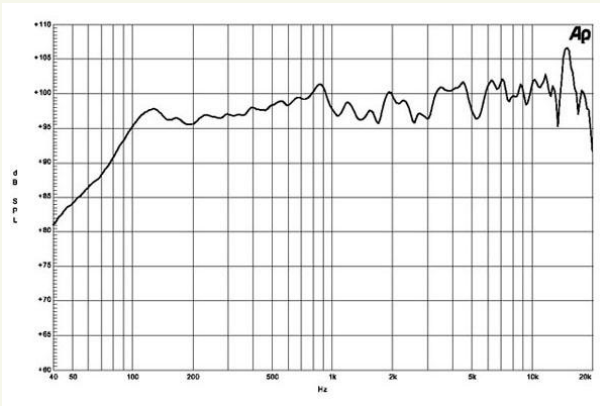
Parameters

Fs	44 Hz
Re	5.1 ohm
Qes	0.46
Qms	6.7
Qts	0.43
Vas	162 dm ³ (5.7 ft ³)
Sd	855 cm ² (132.5 in ²)
Eta Zero	2.8 %
Xmax	+/- 4.5 mm
Xvar	+/- 5.5 mm
Mms	84 g
Bl	15.9 Txm
Le	1.1 mH

Mounting and Shipping Info

Overall Diameter	394 mm (15.5 in)
Bolt Circle Diameter	374 mm (14.7 in)
Baffle Cutout Diameter	355 mm (14 in)
Depth	219 mm (8.6 in)
Flange and Gasket Thickness	16 mm 8 (5/8 in)
Net Weight	12.1 kg (26.6 lb)
Shipping Weight	13.5 kg (29.7 lb)
Shipping Box	450x450x290 mm (17.7x17.7x11.4 in)





Crossover

Model	XO-4
Filter Type	Two way
Nominal Impedance	8 Ohm
Crossover Frequency	1.2 kHz
Slope	6 dB/oct. (Low) 12 dB/oct. with eq. (High)
Overall Dimensions	142x107 mm (5.6x4.2 in)
Weight	0.6 kg (1.3 lb)

¹Included by -6 dB down points, averaged from 1 kHz to 8 kHz with B&C XO-4 crossover filter.

²Applied RMS Voltage is set to 2.83V for 8 ohms Nominal Impedance.

³2 hours test made with continuous pink noise signal (6 dB crest factor) within the specified range . Power calculated on rated minimum impedance. Loudspeaker in free air.

⁴Power on Continuous Program is defined as 3 dB greater than the Nominal rating.

⁵Applied RMS Voltage is set to 2.83V for 8 ohms Nominal Impedance.

⁶2 hours test made with continuous pink noise signal (6 dB crest factor) within the specified range . Power calculated on rated minimum impedance. Loudspeaker in free air.

⁷Power on Continuous Program is defined as 3 dB greater than the Nominal rating.

⁸12 dB/oct. or higher slope high-pass filter.

