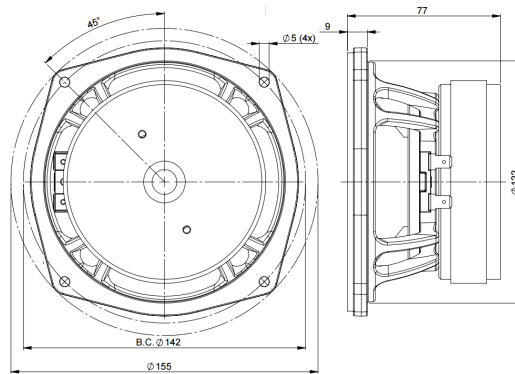


5FG44

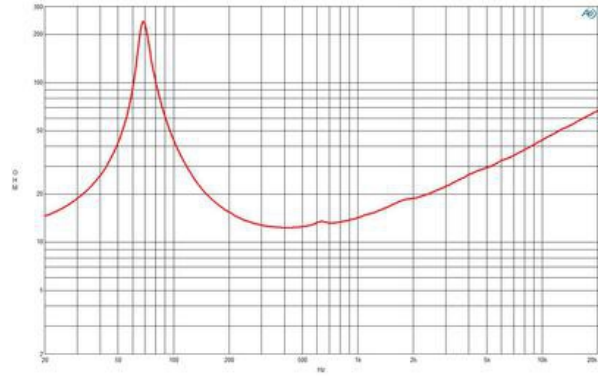
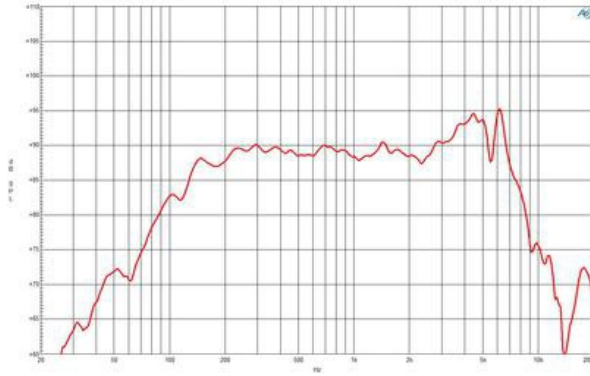
16Ω**LF Drivers - 5.0 Inches**

- Capacidad de potencia de programa continuo: 200 W
- Bobina de alambre de cobre: 44 mm (1.7 in)
- Respuesta: 63 - 6000 Hz
- Sensibilidad: 90 dB



5FG44

LF Drivers- 5.0 Inches



SPECIFICATIONS

Nominal Diameter	127 mm (5.0 in)
Nominal Impedance	16 Ω
Minimum Impedance	12.7 Ω
Nominal Power Handling ¹	100 W
Continuous Power Handling ²	200 W
Sensitivity ³	90.0 dB
Frequency Range	70 - 6000 Hz
Voice Coil Diameter	44 mm (1.7 in)
Winding Material	Copper
Former Material	Kapton
Winding Depth	9.0 mm (0.35 in)
Magnetic Gap Depth	6.0 mm (0.25 in)
Flux Density	1.1 T

DESIGN

Surround Shape	Roll
Cone Shape	Exponential
Magnet Material	Ferrite
Spider	Single
Pole Design	T-Pole
Woofer Cone Treatment	WP Waterproof Front Side
Recommended Enclosure	5.0 dm ³ (0.17 ft ³)
Recommended Tuning	70 Hz

PARAMETERS⁴

Resonance Frequency	70 Hz
Re	11.1 Ω
Qes	0.4
Qms	10.5
Qts	0.39
Vas	5.1 dm ³ (0.18 ft ³)
Sd	92.0 cm ² (14.26 in ²)
η_0	0.42 %
Xmax	3.0 mm
Maximum Excursion	5.0 mm
Mms	12.0 g
Bl	11.6 Txm
Le	0.8 mH
EBP	175 Hz

MOUNTING AND SHIPPING INFO

Overall Diameter	155 mm (6.1 in)
Bolt Circle Diameter	142 mm (5.6 in)
Baffle Cutout Diameter	122.0 mm (4.8 in)
Depth	77 mm (3.03 in)
Flange and Gasket Thickness	9 mm (0.35 in)
Air Volume Occupied by Driver	0.5 dm ³ (0.02 ft ³)
Net Weight	1.6 kg (3.53 lb)
Shipping Units	1
Shipping Weight	1.8 kg (3.97 lb)
Shipping Box	210x210x125 mm (8.27x8.27x4.92 in)

SERVICE KIT

RCK005FG4416

1. 2 hours test made with continuous pink noise signal within the range Fs-10Fs. Power calculated on rated nominal impedance. Loudspeaker in free air.
2. Power on Continuous Program is defined as 3 dB greater than the Nominal rating.
3. Applied RMS Voltage is set to 4V for 16 ohm Nominal Impedance
4. Thiele-Small parameters are measured after a high level 20 Hz sine wave preconditioning test.