

BOX12 – B&C Speakers 2 way box kit

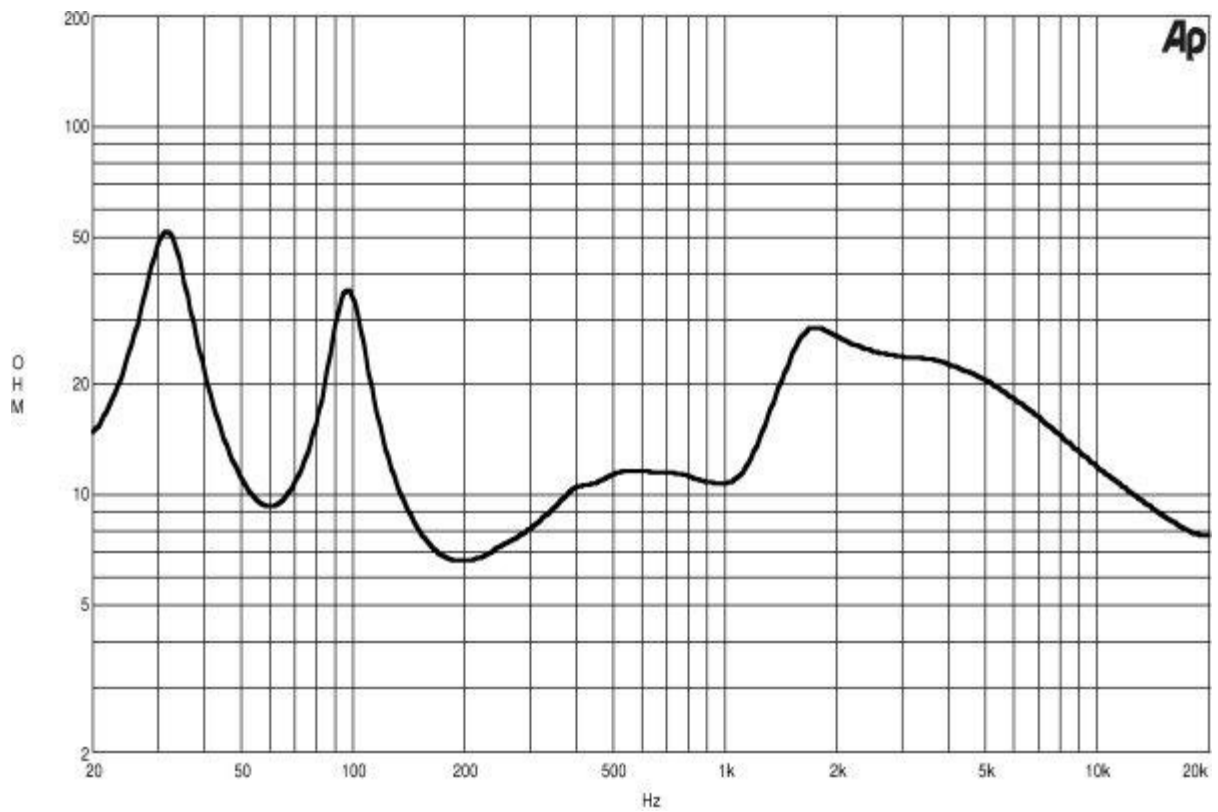
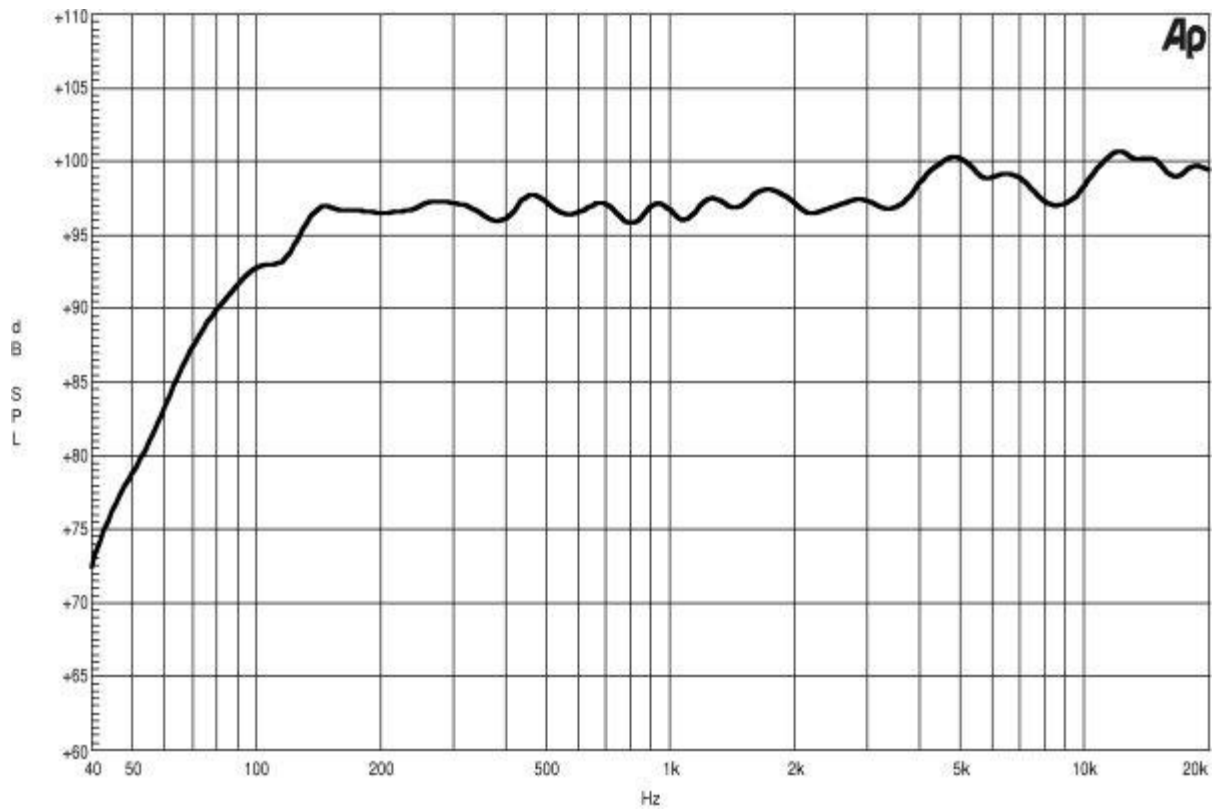
Cabinet Type Bass Reflex

Box Volume 42 Dm³
Tuning Frequency 65 Hz
Crossover Frequency 1.5 kHz
Nominal Impedance 8 ohm
Minimum Impedance 6.5 ohm
Frequency Range 65 - 18000 Hz
Continuous Power Handling 500 W
Nominal Power Handling (AES) 250 W
Sensitivity (1W/1m) 98.5 dB
Max Peak SPL 131 dB
Max Long SPL 125 dB

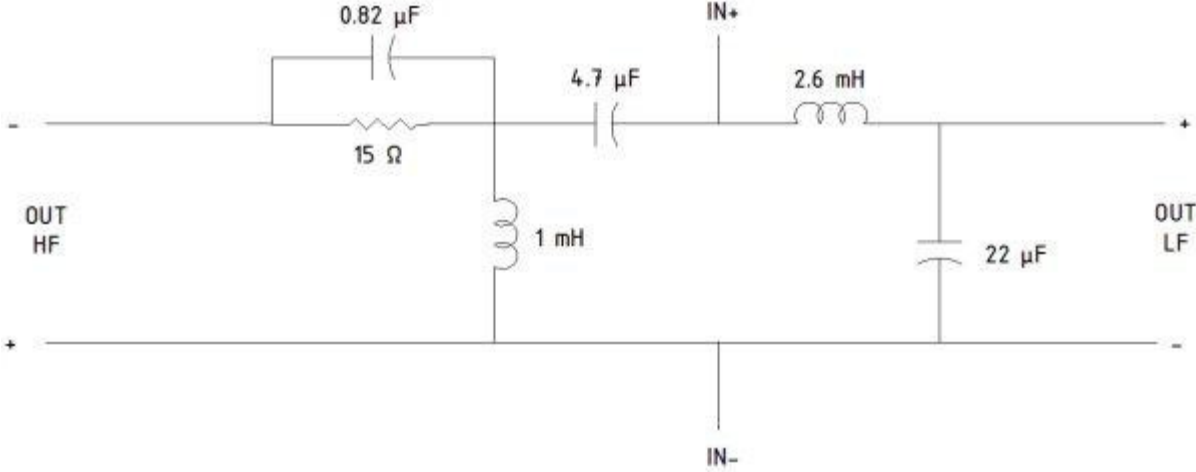
Components

LF Drivers 12PLB76
HF Drivers DE200
Horns ME45

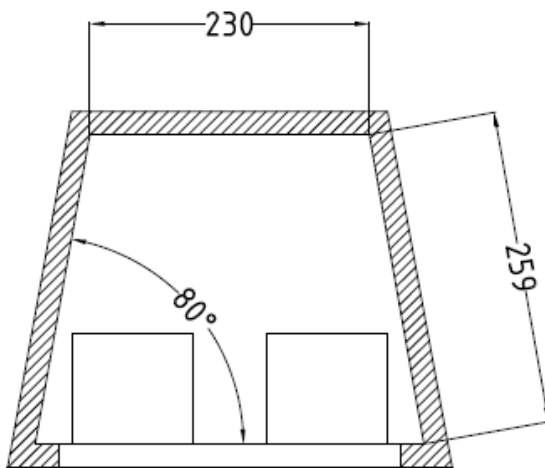
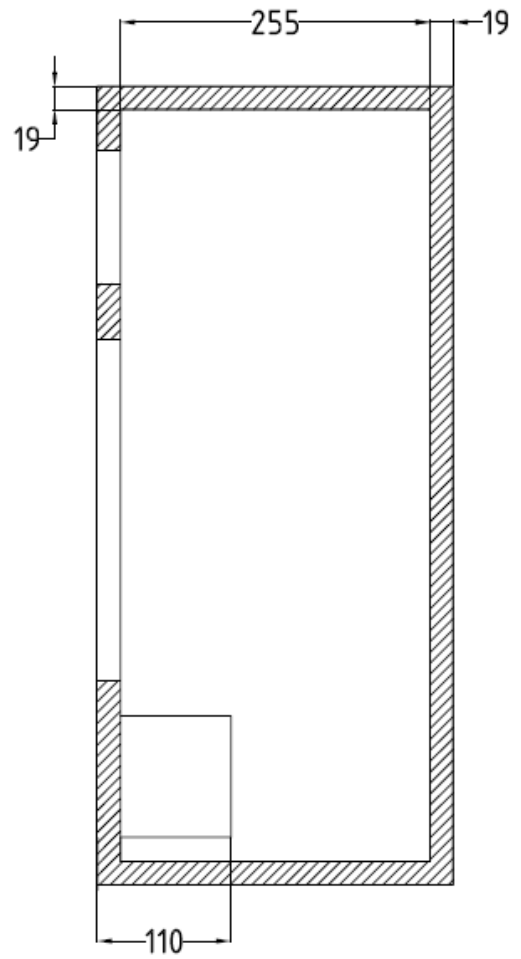
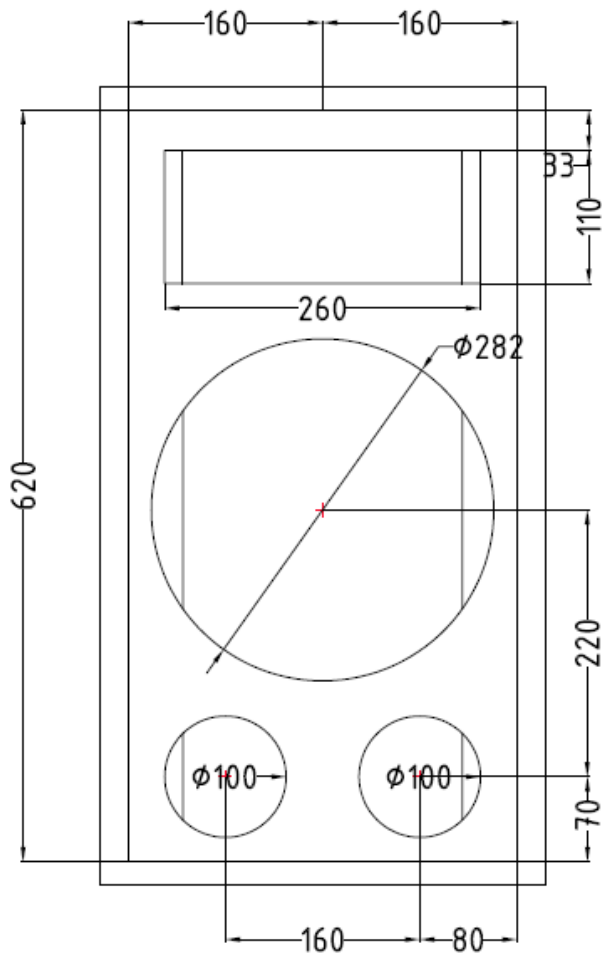
Graphs



Crossover



Drawing



BOX 12

Internal Volume : 42 liters
Tuning Frequency = 65 Hz