

BOX6 – B&C Speakers 2 way box kit

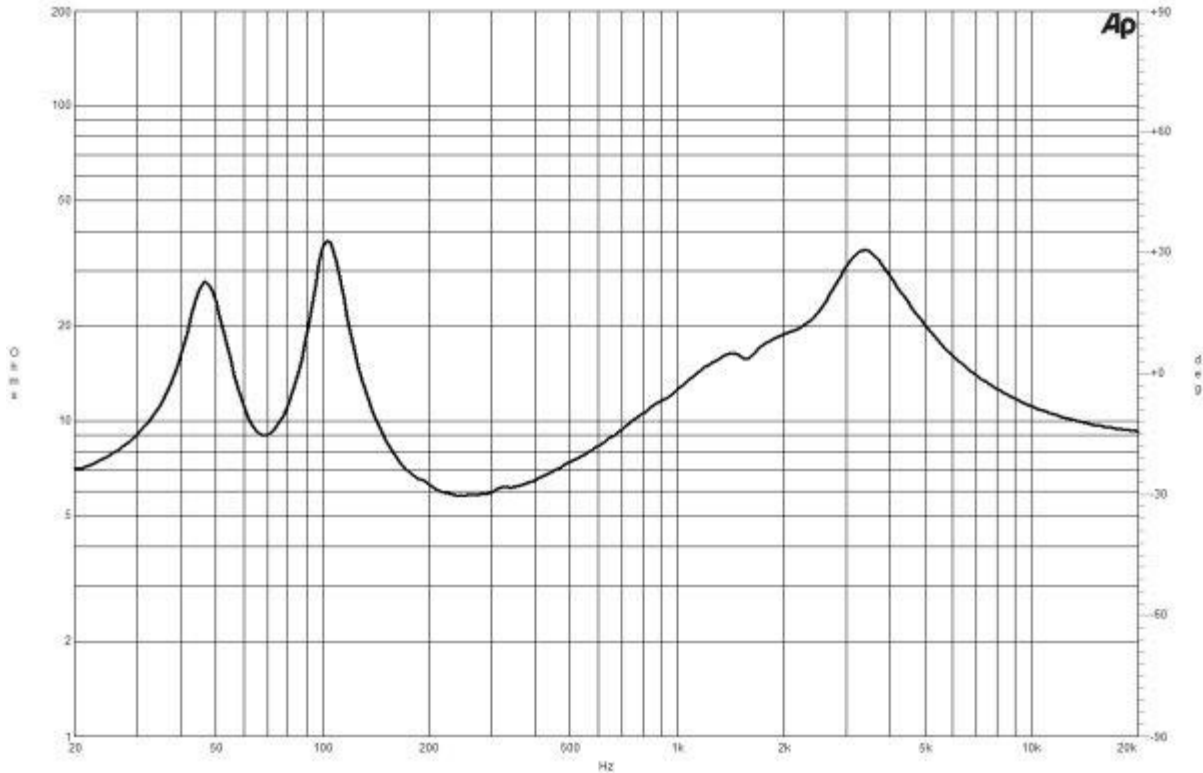
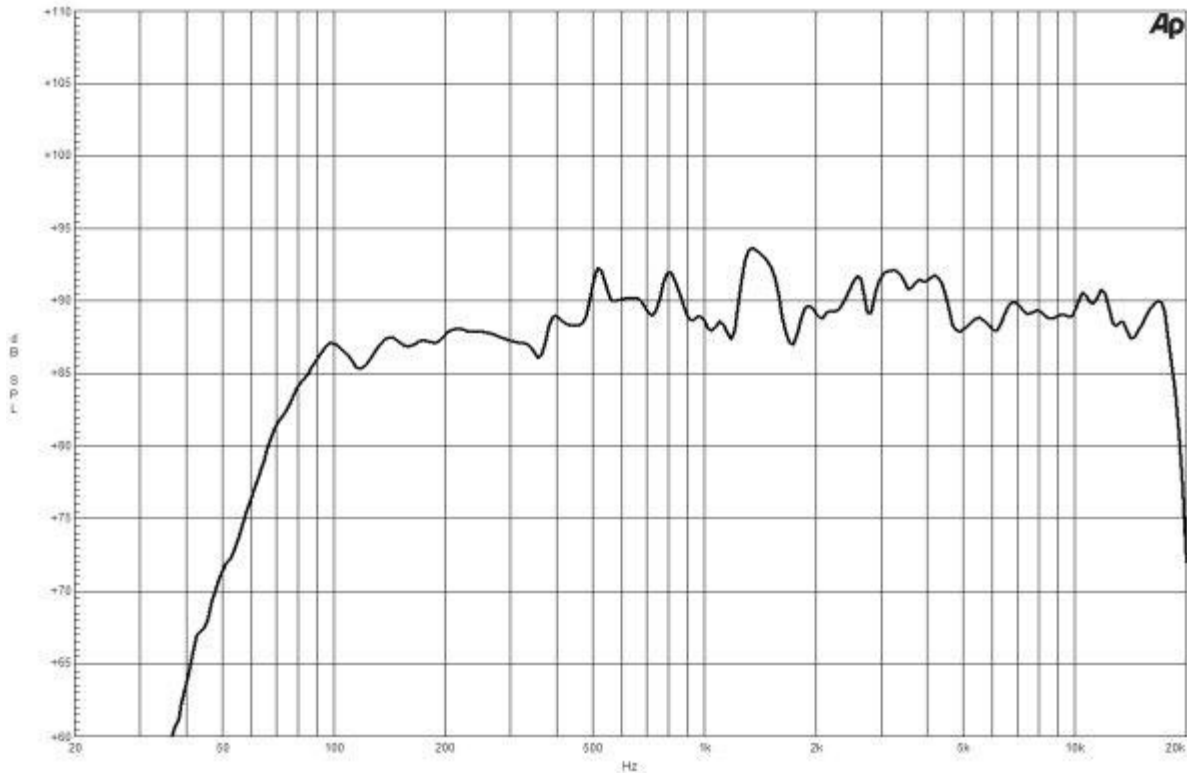
Cabinet Type Bass Reflex

Box Volume 10 Dm³
Tuning Frequency 70 Hz
Crossover Frequency 2.5 kHz
Nominal Impedance 8 ohm
Minimum Impedance 6 ohm
Frequency Range 80 - 18000 Hz
Continuous Power Handling 300 W
Nominal Power Handling (AES) 150 W
Sensitivity (1W/1m) 90 dB
Max Peak SPL 118 dB
Max Long SPL

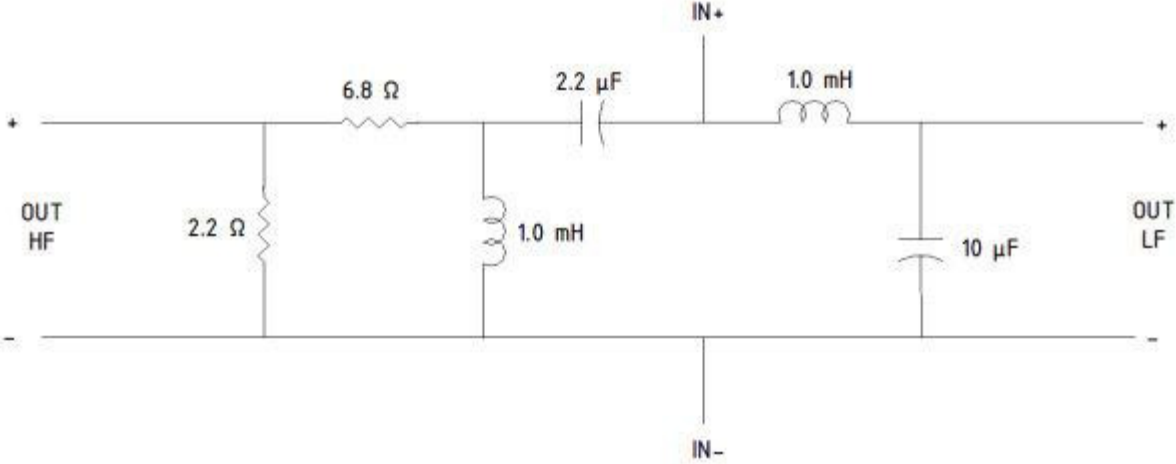
Components

LF Drivers 6NDL38
HF Drivers DE10
Horns ME10

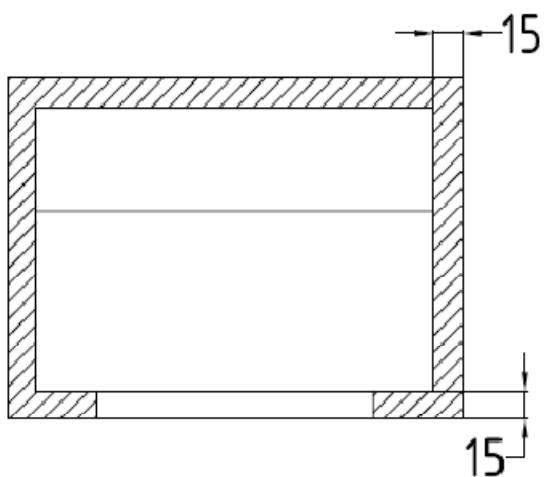
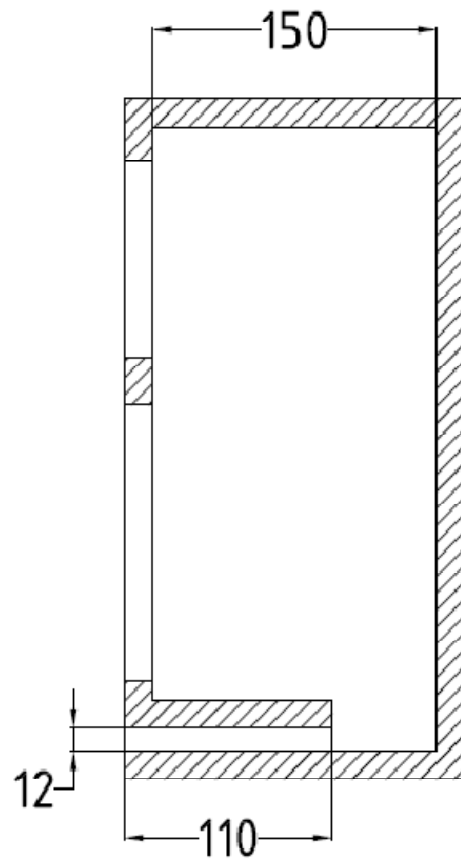
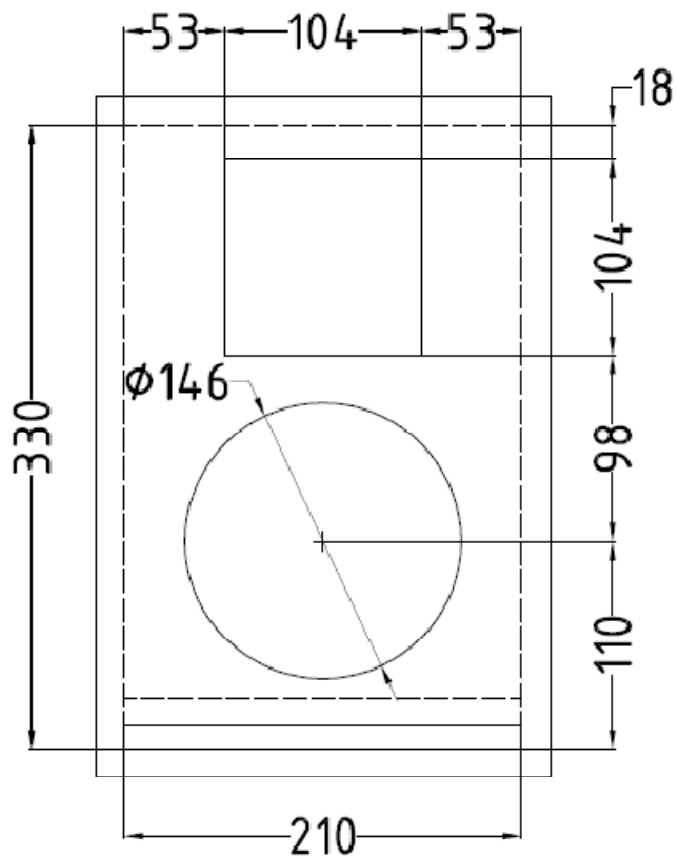
Graphs



Crossover



Drawing



- BOX6 v2 -
6NDL38
DE10/ME10
Vint = 10 litres
Fb = 70 Hz

Dimensions in millimeters