



F081AN

Full Range Enclosure

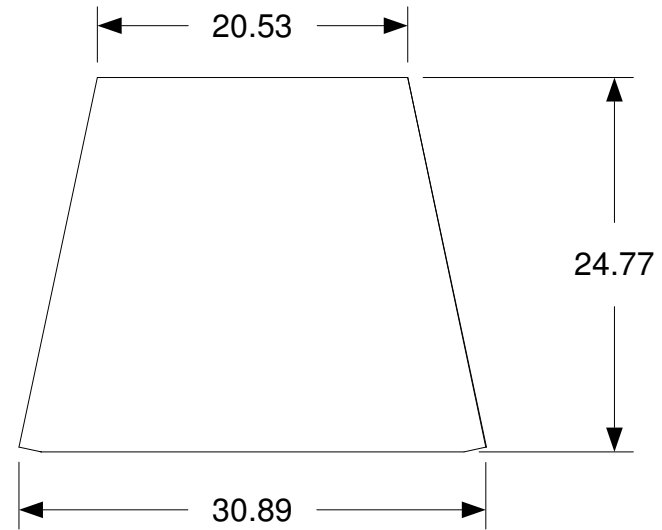
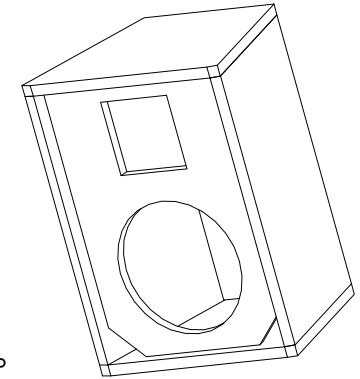
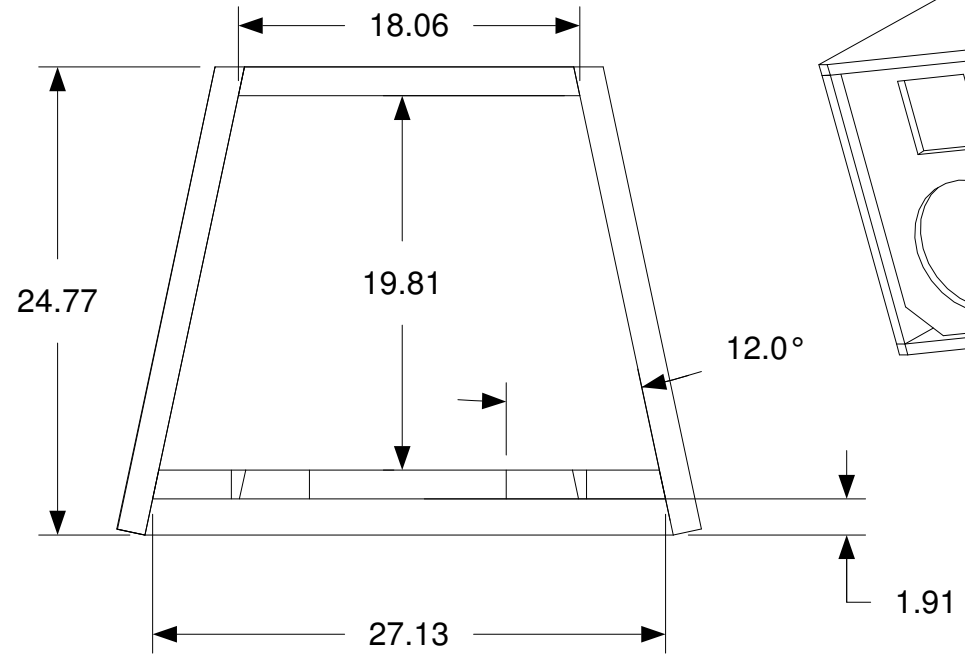
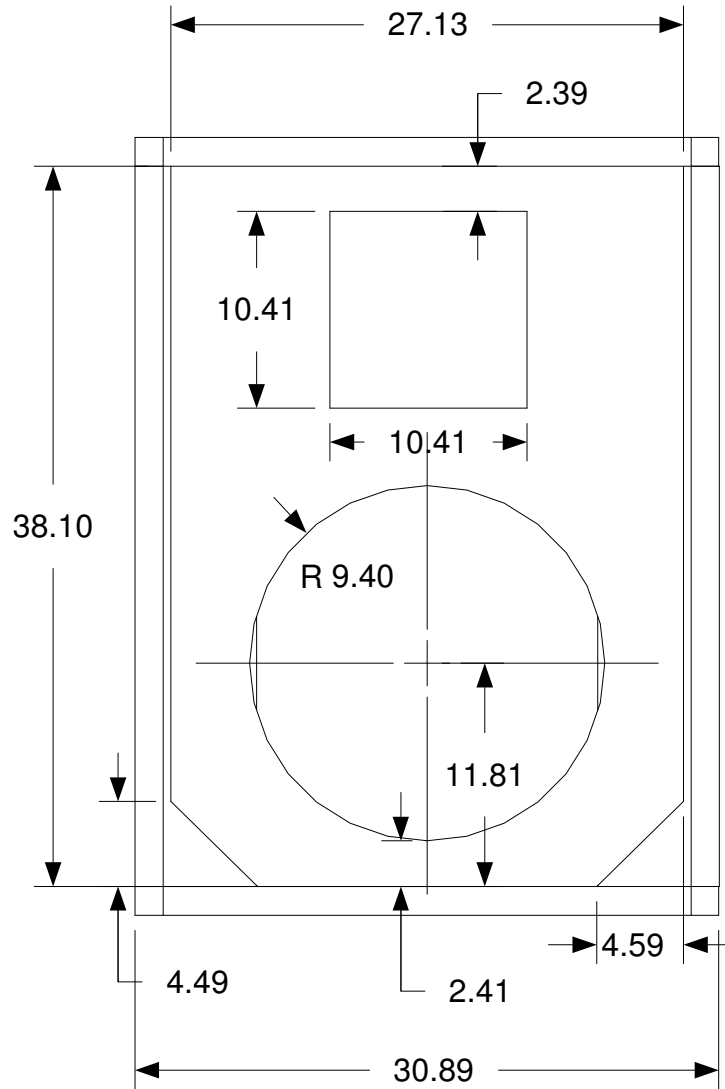
B&C Component Options

8" Neodymium Woofer – 8MDN51 8 ohm

1" High Frequency Driver – DE10 8 ohm

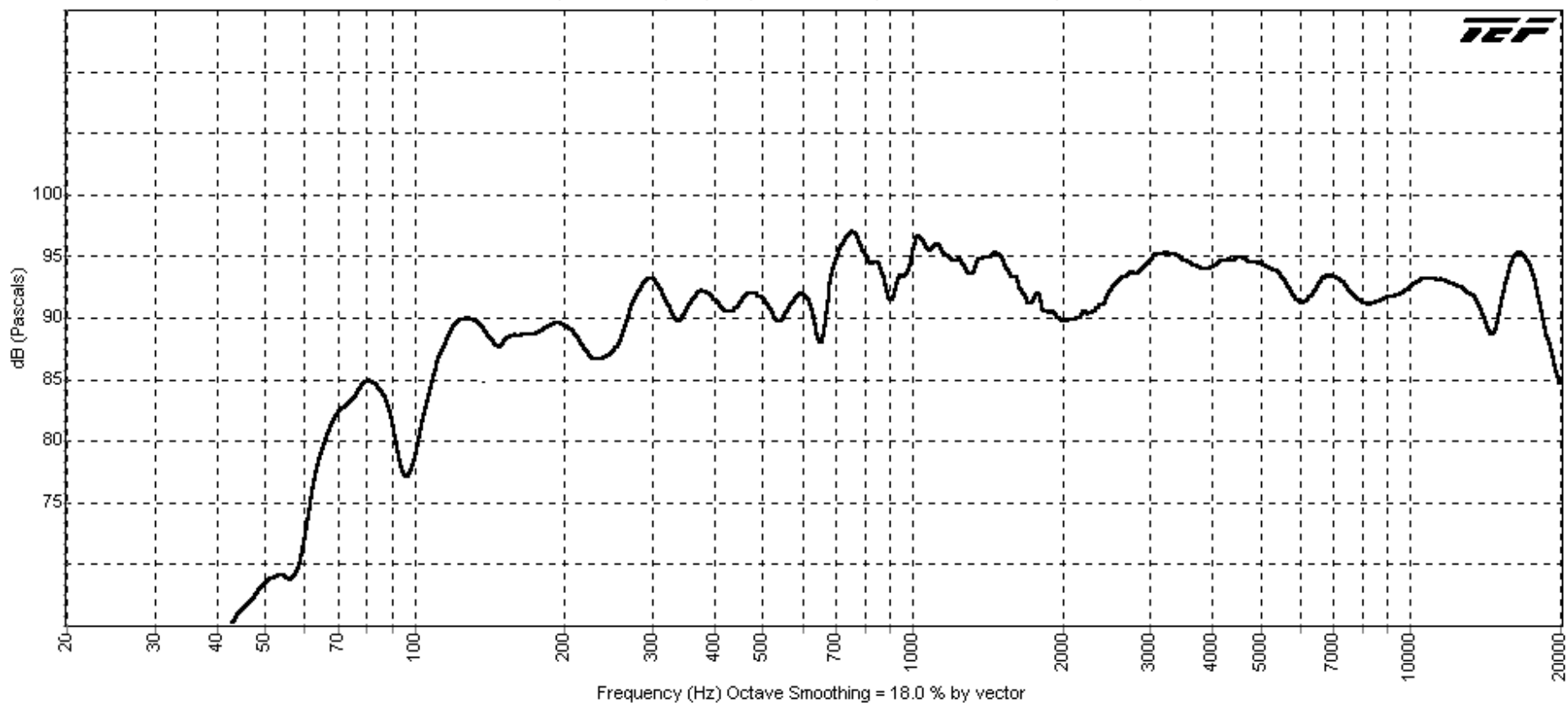
90°x60° 1" Exit Horn – ME10

www.bcspeakers.com



| |
|-----------------------------|
| F081AN |
| Material 15mm Birch Plywood |

8192 Samples in 11.9 s, Frequency Res = 40.8 Hz, Time Res = 24.52 ms (27.71 feet)



— Z.....F081.....imp

8192 Samples, Frequency Res = 18.3 Hz

TEF

