



# **F152A**

## **Full Range Enclosure**

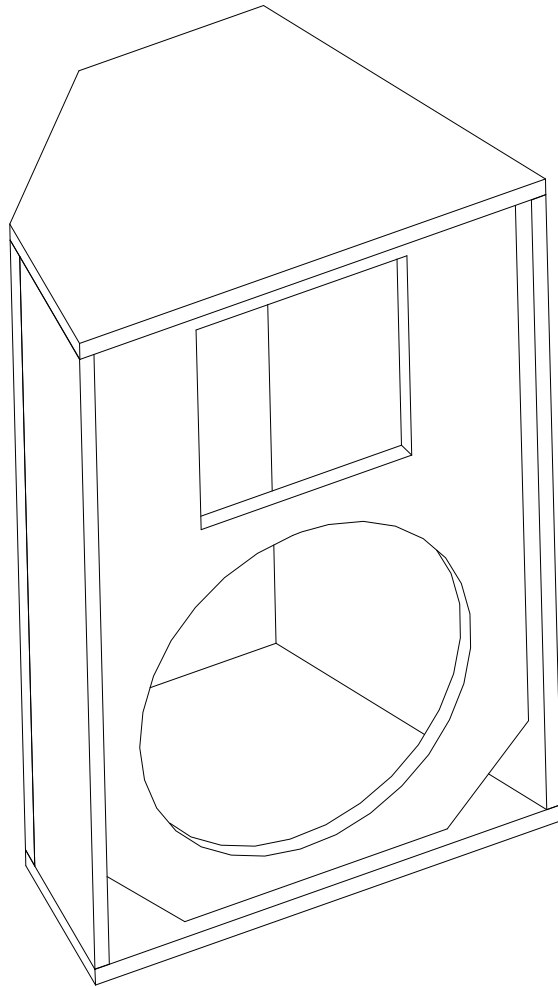
### **B&C Component Options**

15" Woofer – 15PLB76 8 ohm

1.4" High Frequency Driver – DE82TN 8 ohm

80°x60° 1.4" Horn – ME90

[www.bcspeakers.com](http://www.bcspeakers.com)



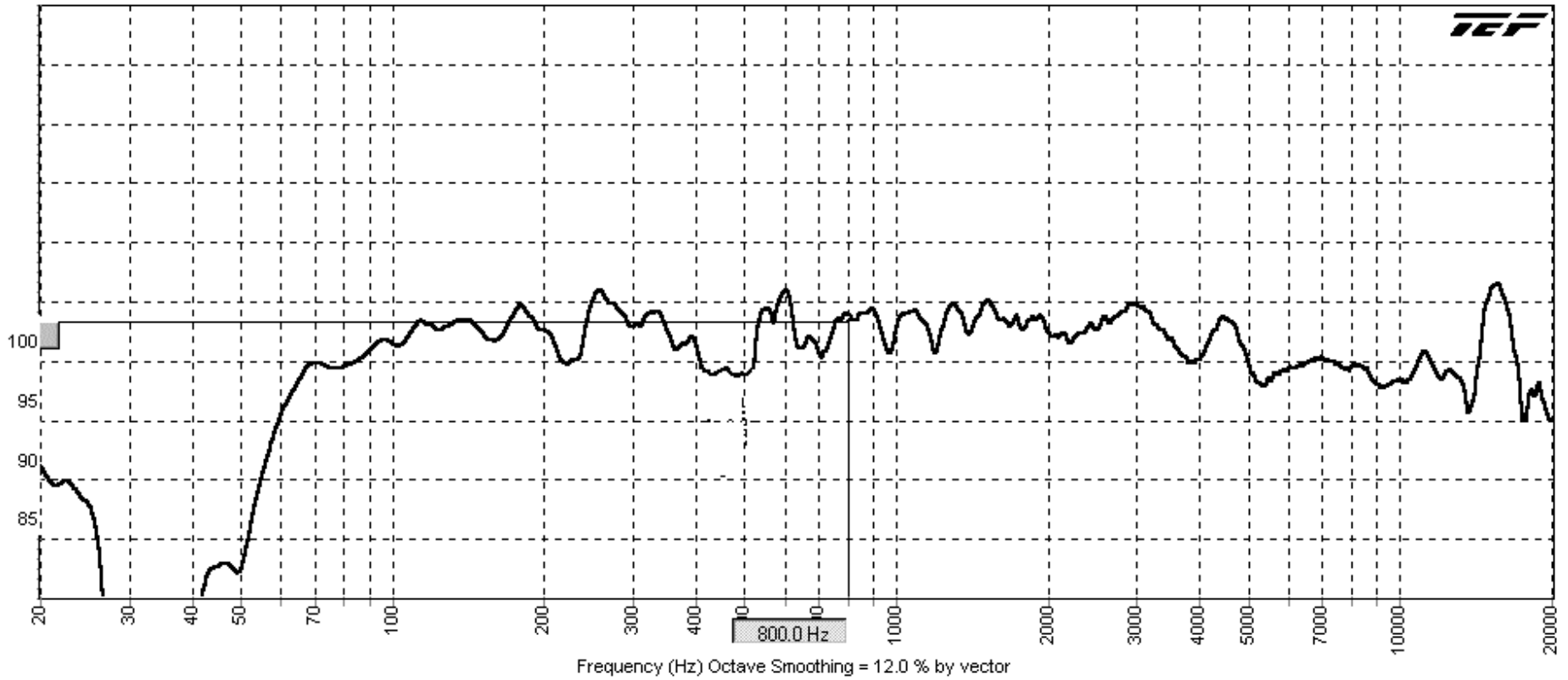
F152A

Material 18mm Birch Plywood

# F152A

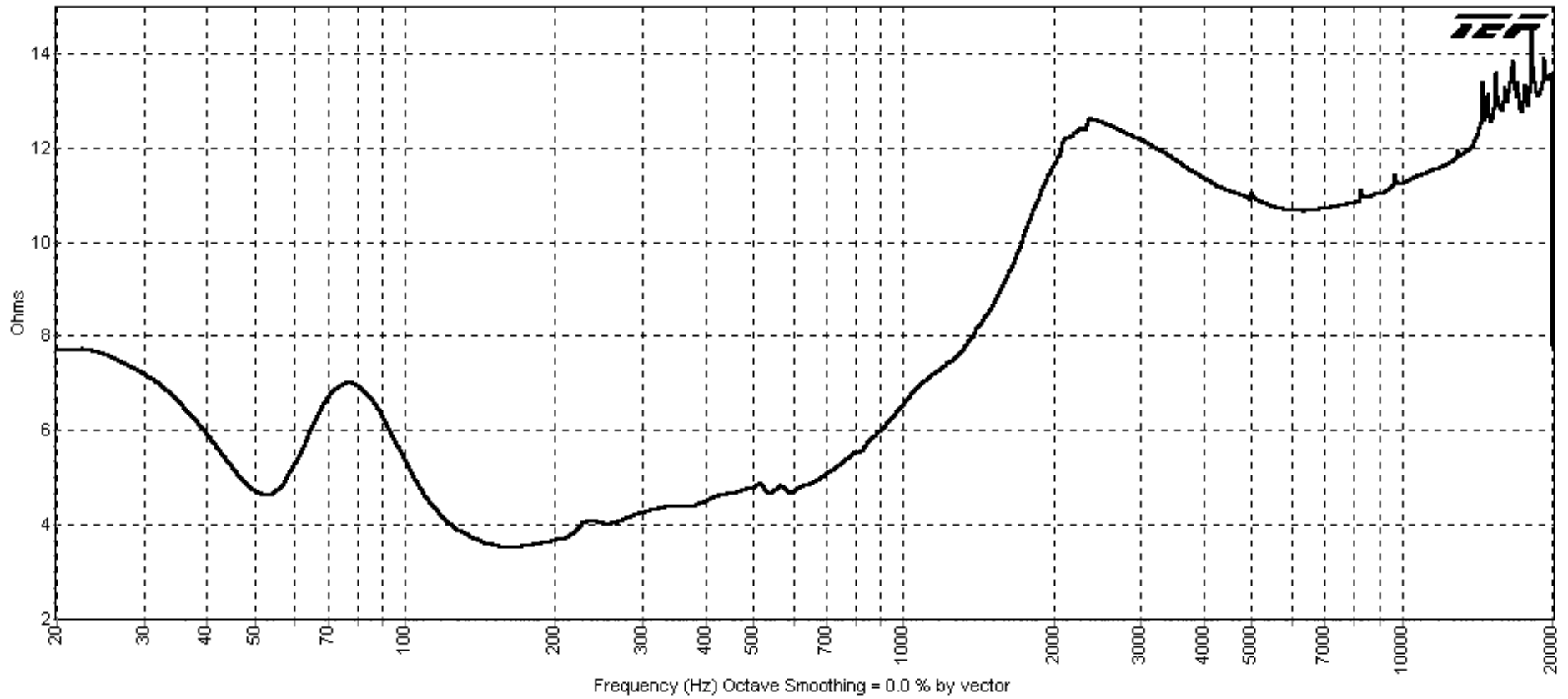
— SPL LOW + net aug 5 2010.tds — SPL hi +net aug 5 2010.tds

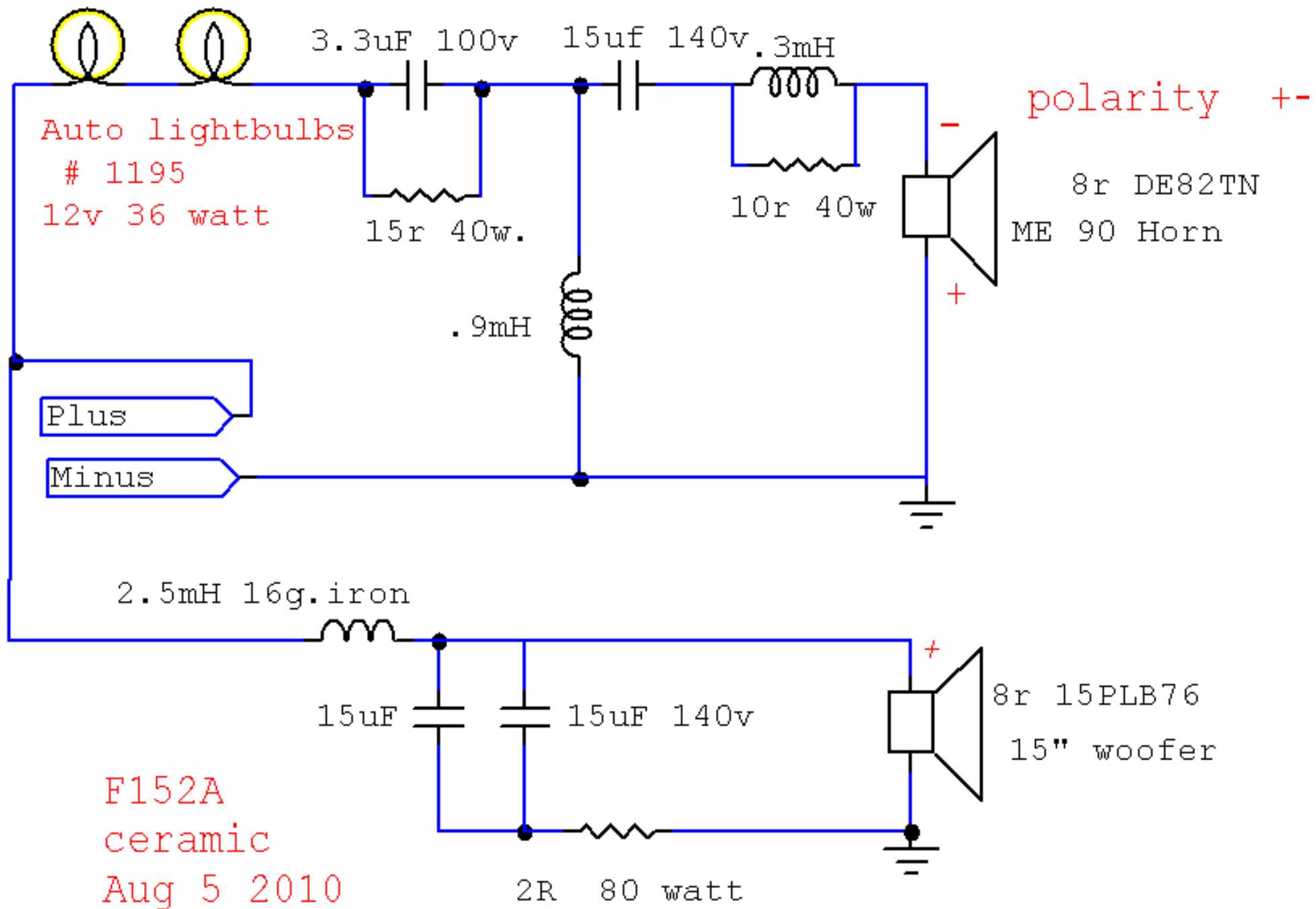
8192 Samples in 11.6 s, Frequency Res = 40.7 Hz, Time Res = 24.56 ms (27.76 feet)



— Z\_f152a.imp

8192 Samples, Frequency Res = 26.2 Hz





F152A  
ceramic  
Aug 5 2010

