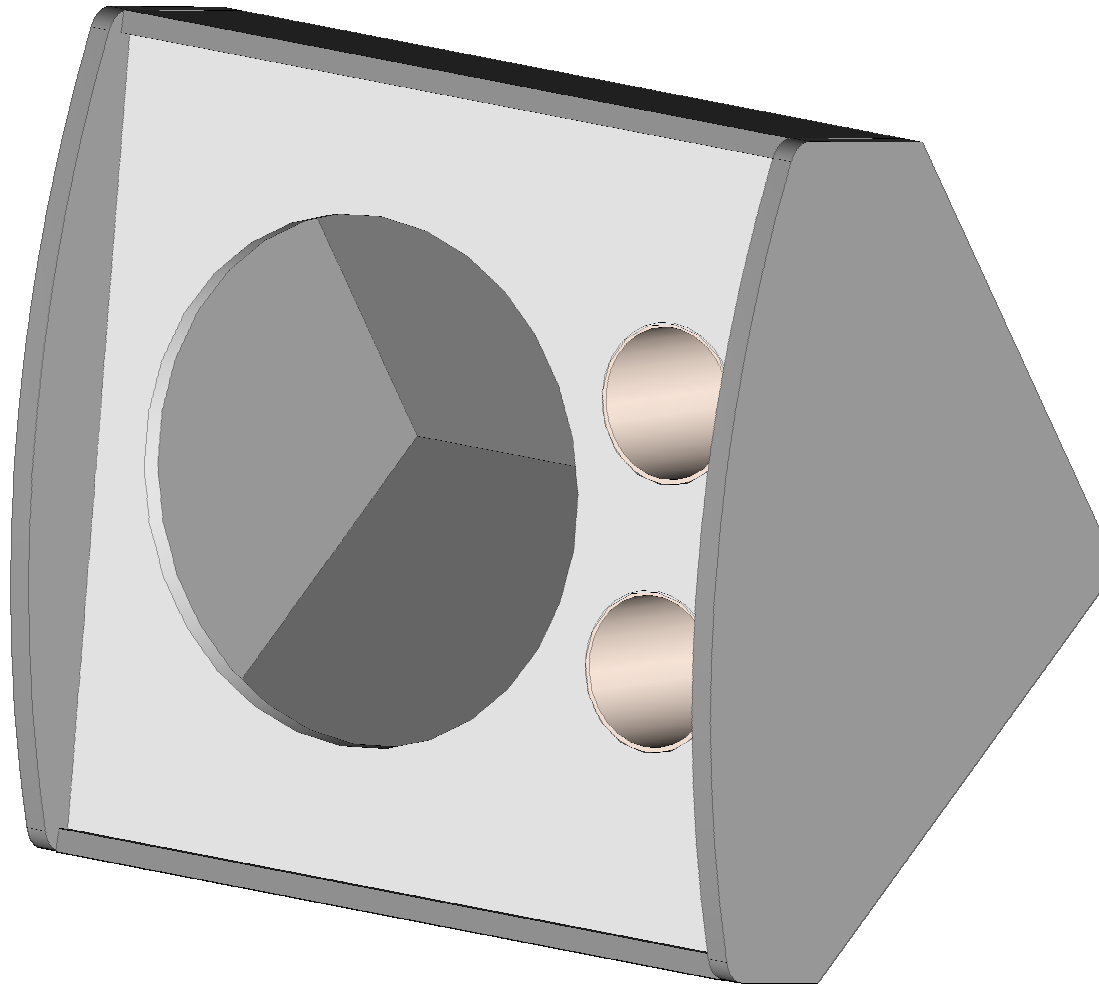




MC152AN

B&C Component Options
15HCX76 8 ohm

www.bcspeakers.com



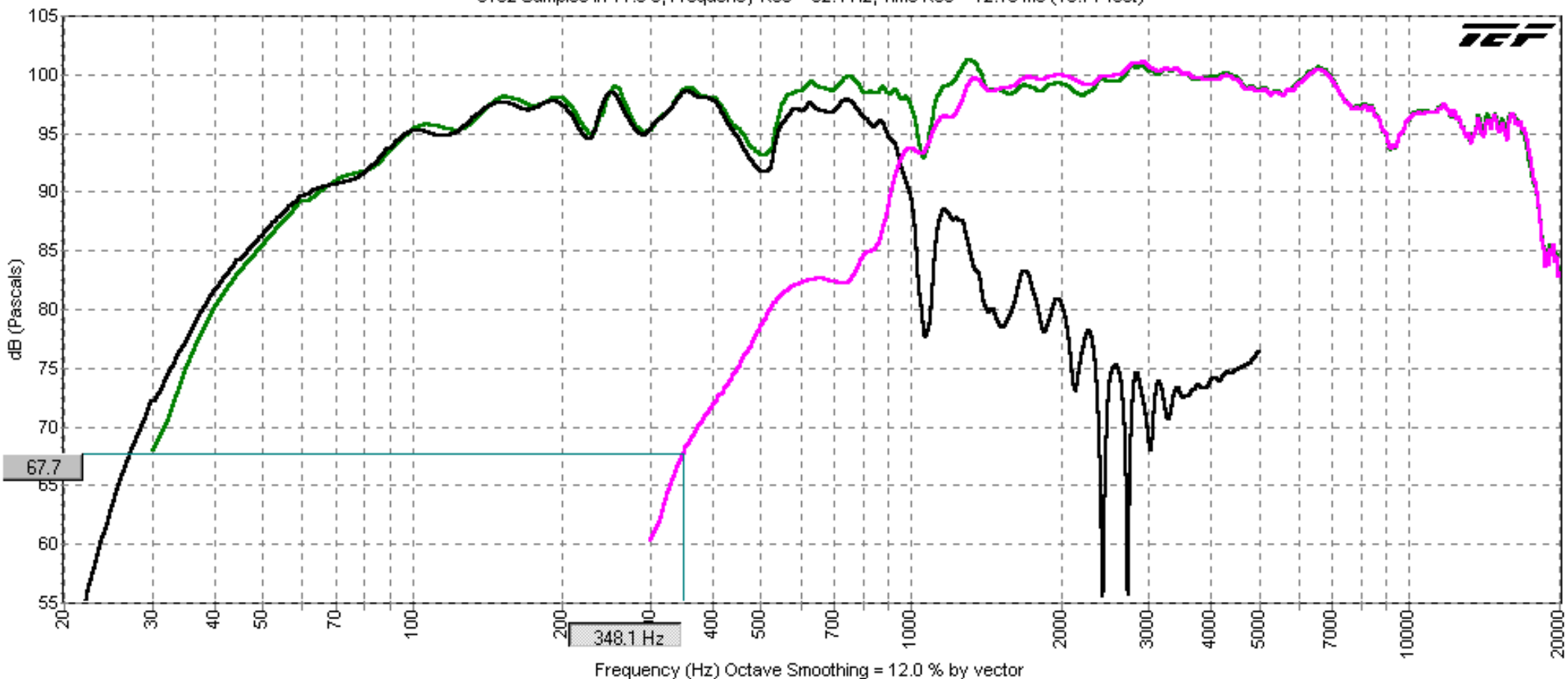
MC152AN

15mm birch ply

time
10/5/09 2:28:52 PM My Lab
out 1w/1m
Cursor = 67.7 dB at 348.1 Hz

all+ net.tds LF+net high speed.tds 15cx hf+net out 2.84v.tds

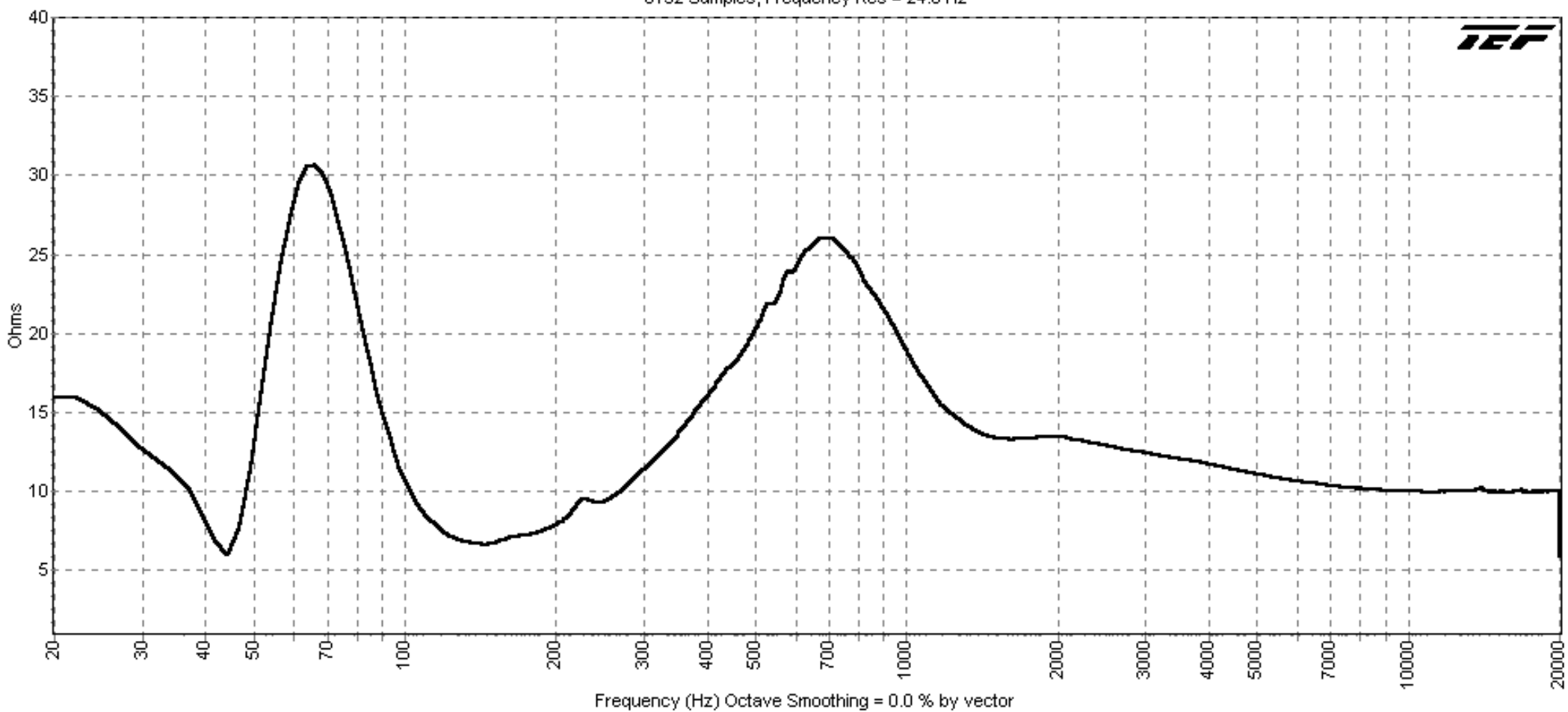
8192 Samples in 11.9 s, Frequency Res = 82.4 Hz, Time Res = 12.13 ms (13.71 feet)

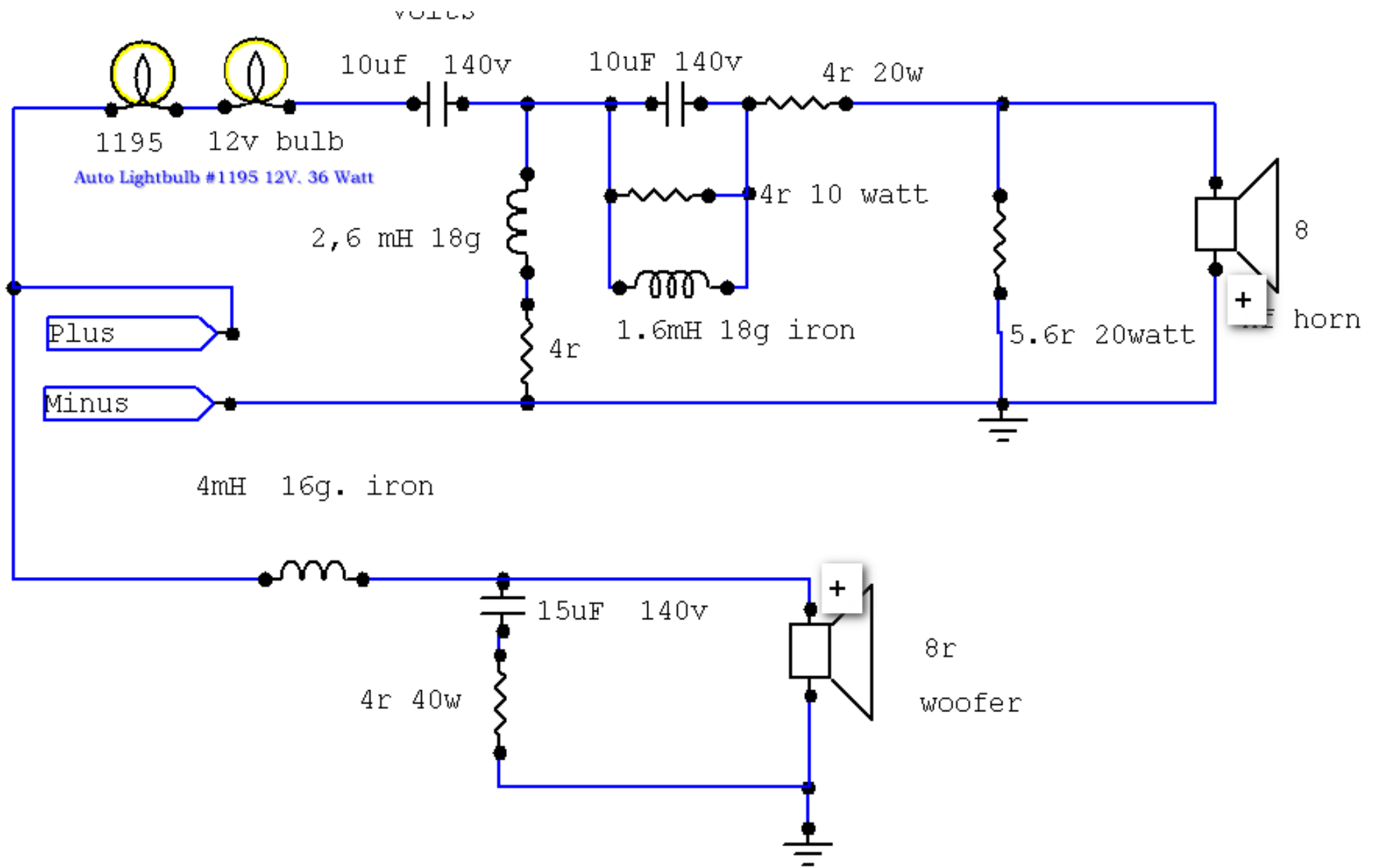


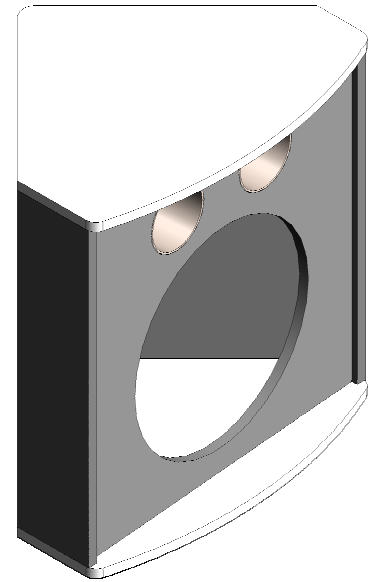
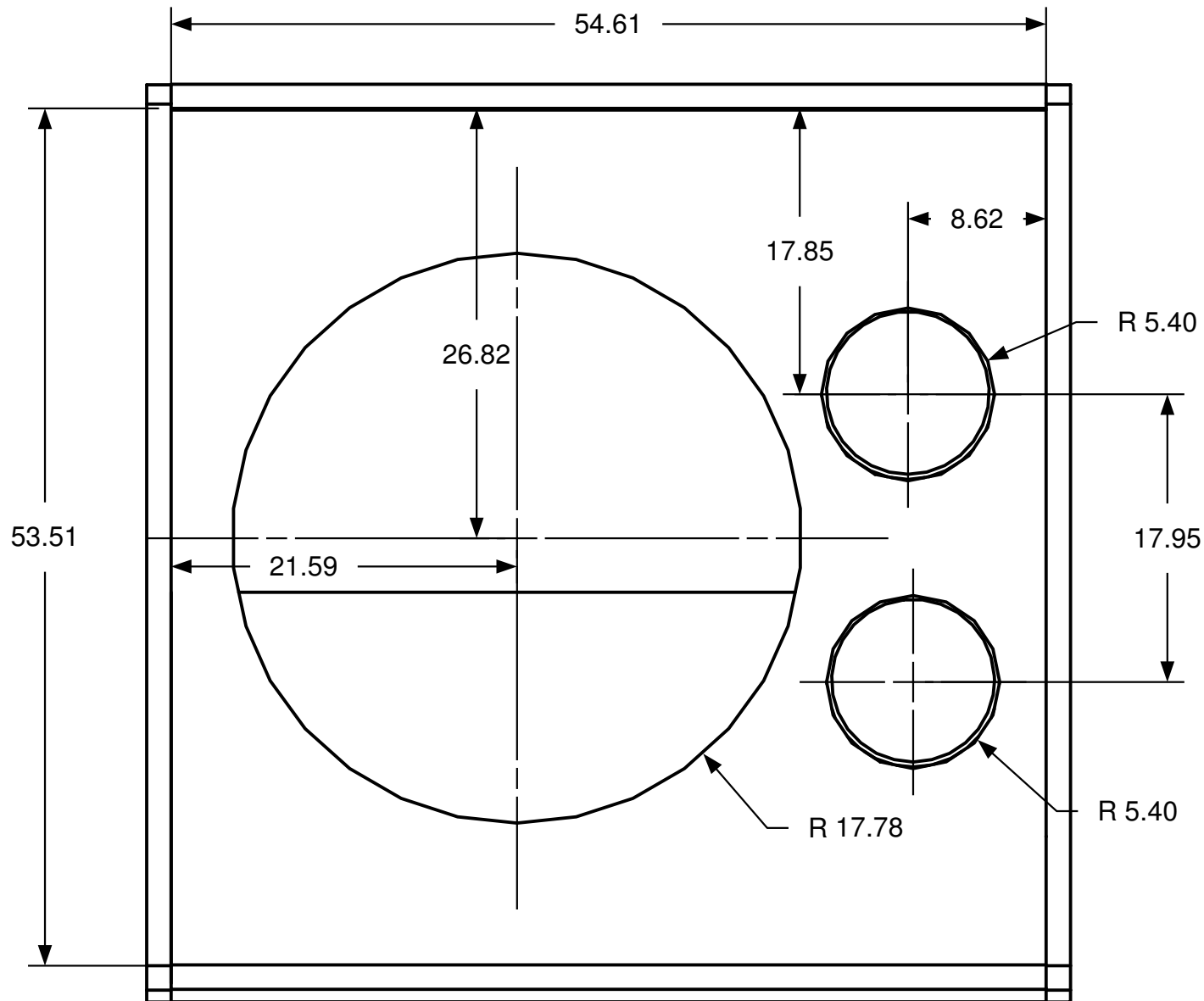
Z-impedance wit net
My Lab 10/5/09 2:34:07 PM
out lw/lm

— Z-impedance wit net.imp

8192 Samples, Frequency Res = 24.8 Hz

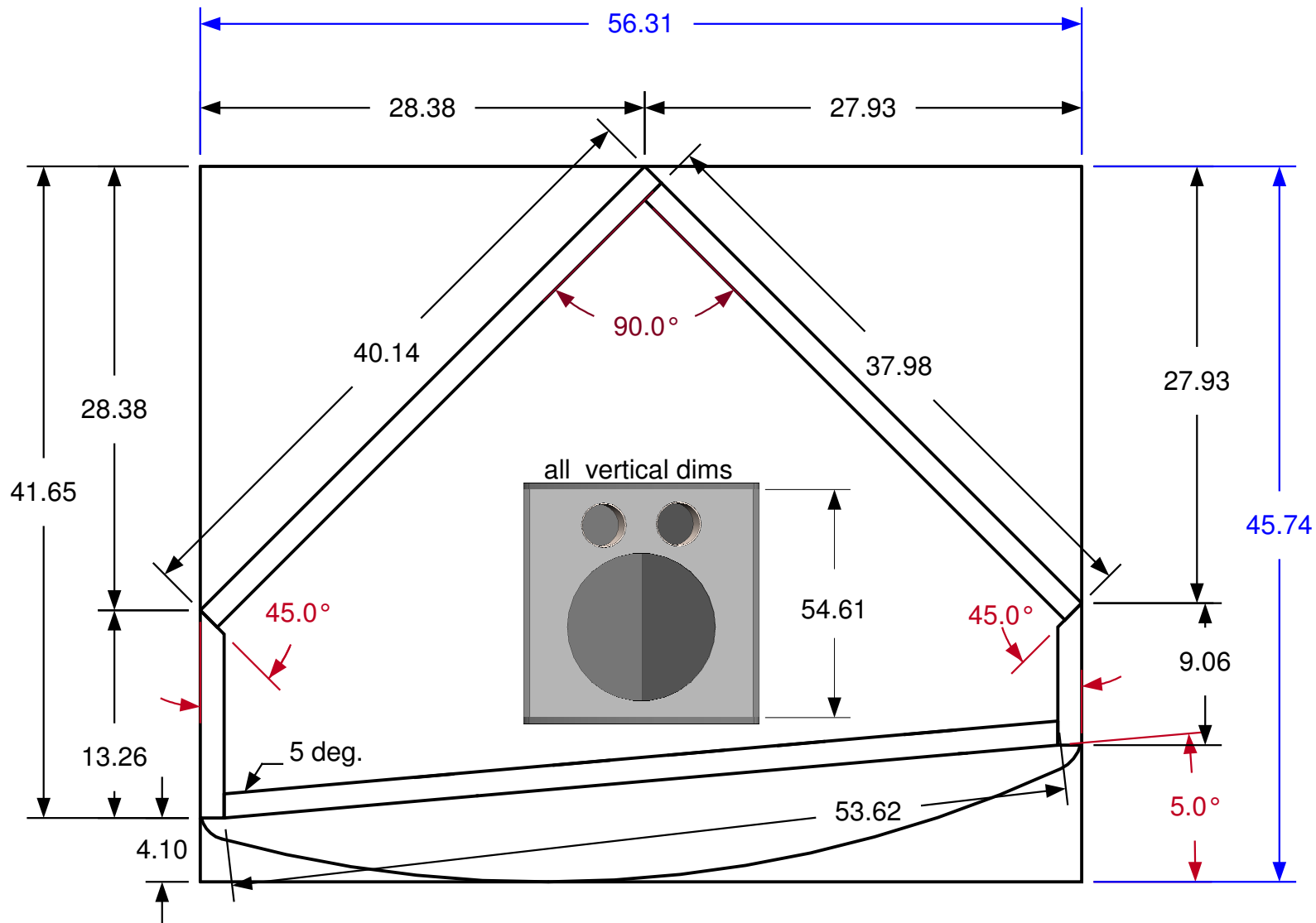






Ducts Length = 10cm

MC152AN
Material 15mm Birch Plywood



MC152AN	Gable
15mm birch ply	

R 78.74

21.98

61.39

27.93

45.47

R 2.63

28.39

R 2.31

56.31

R 1.86

MC152AN TOP Rads

Material 15mm Birch Plywood

