

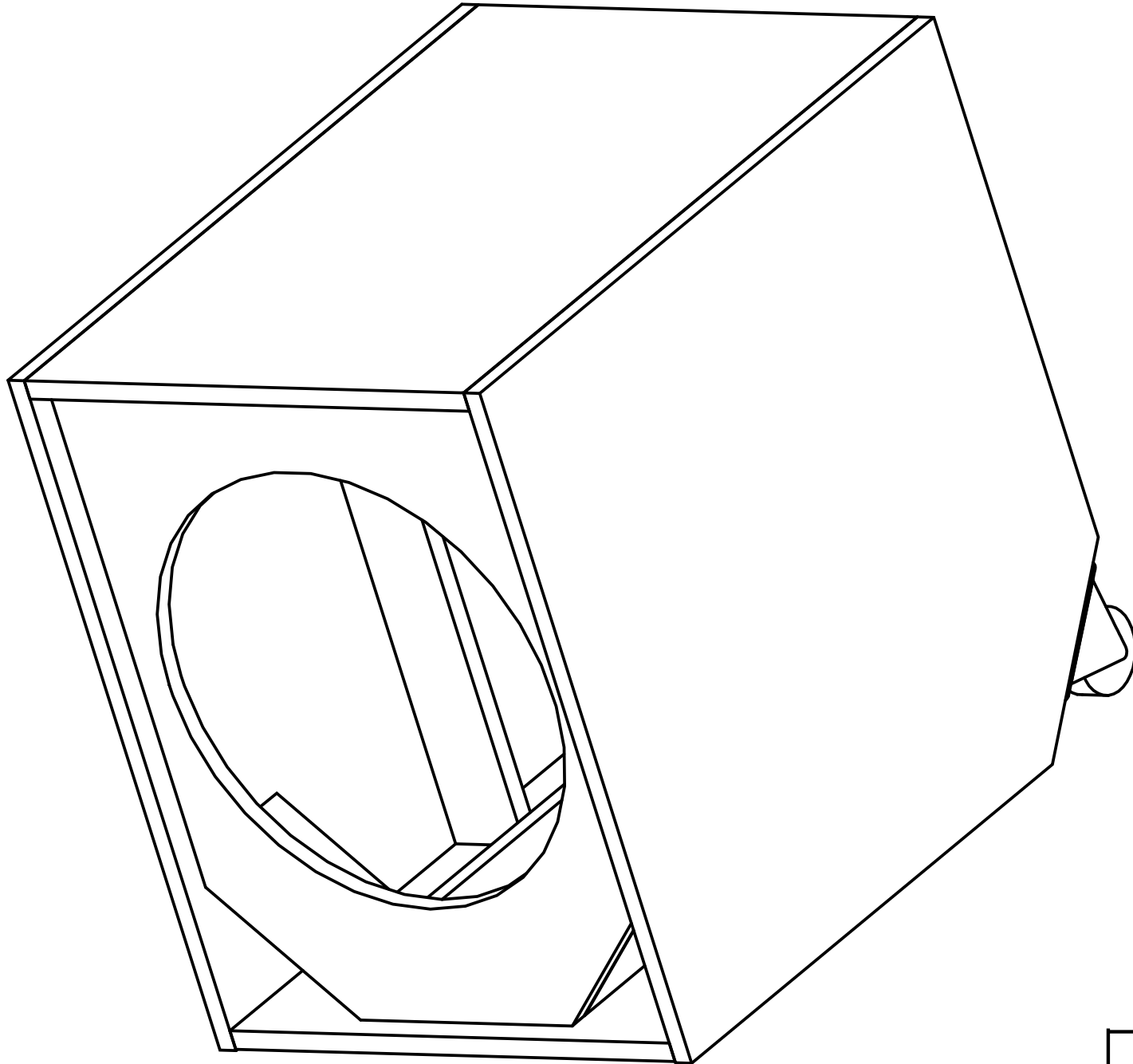


S18CN

Small Enclosure Subwoofer

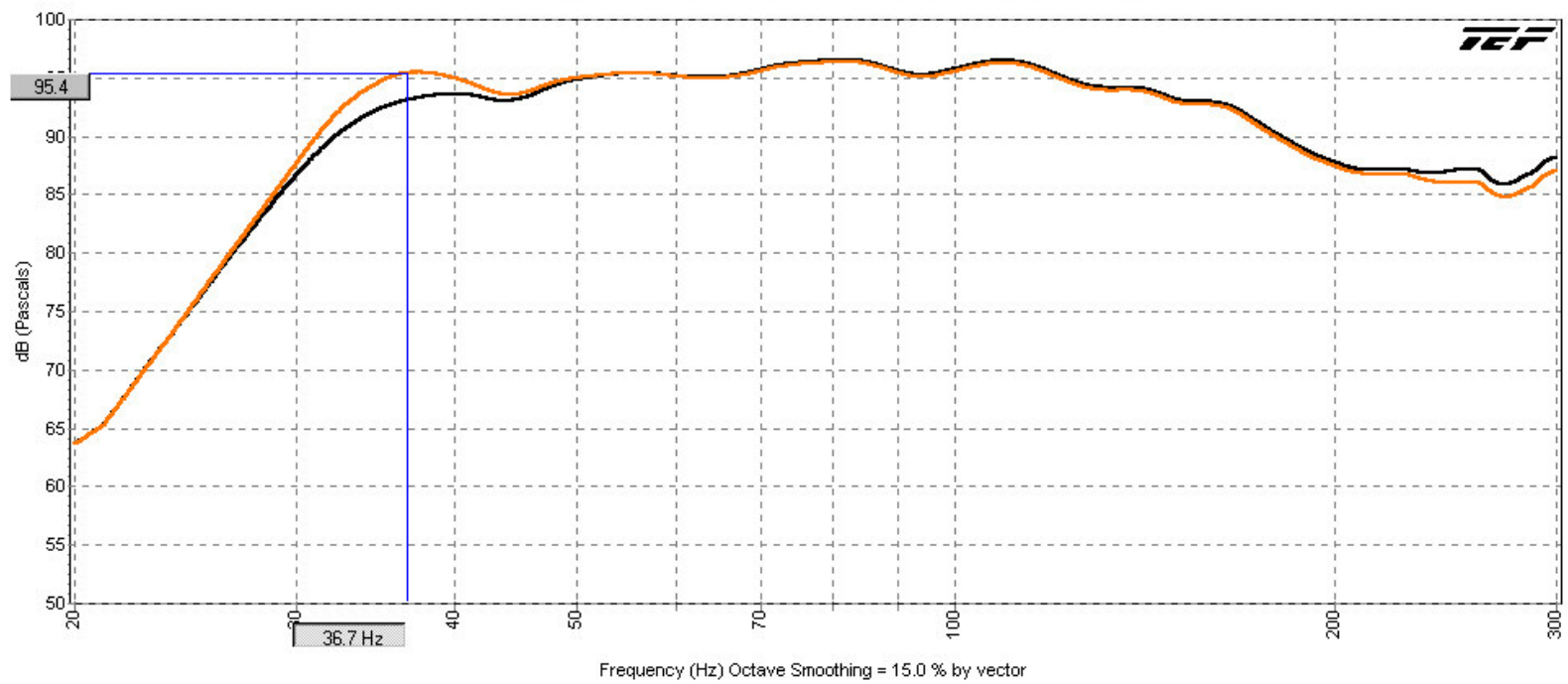
B&C Component Options
18SW115 8 ohm

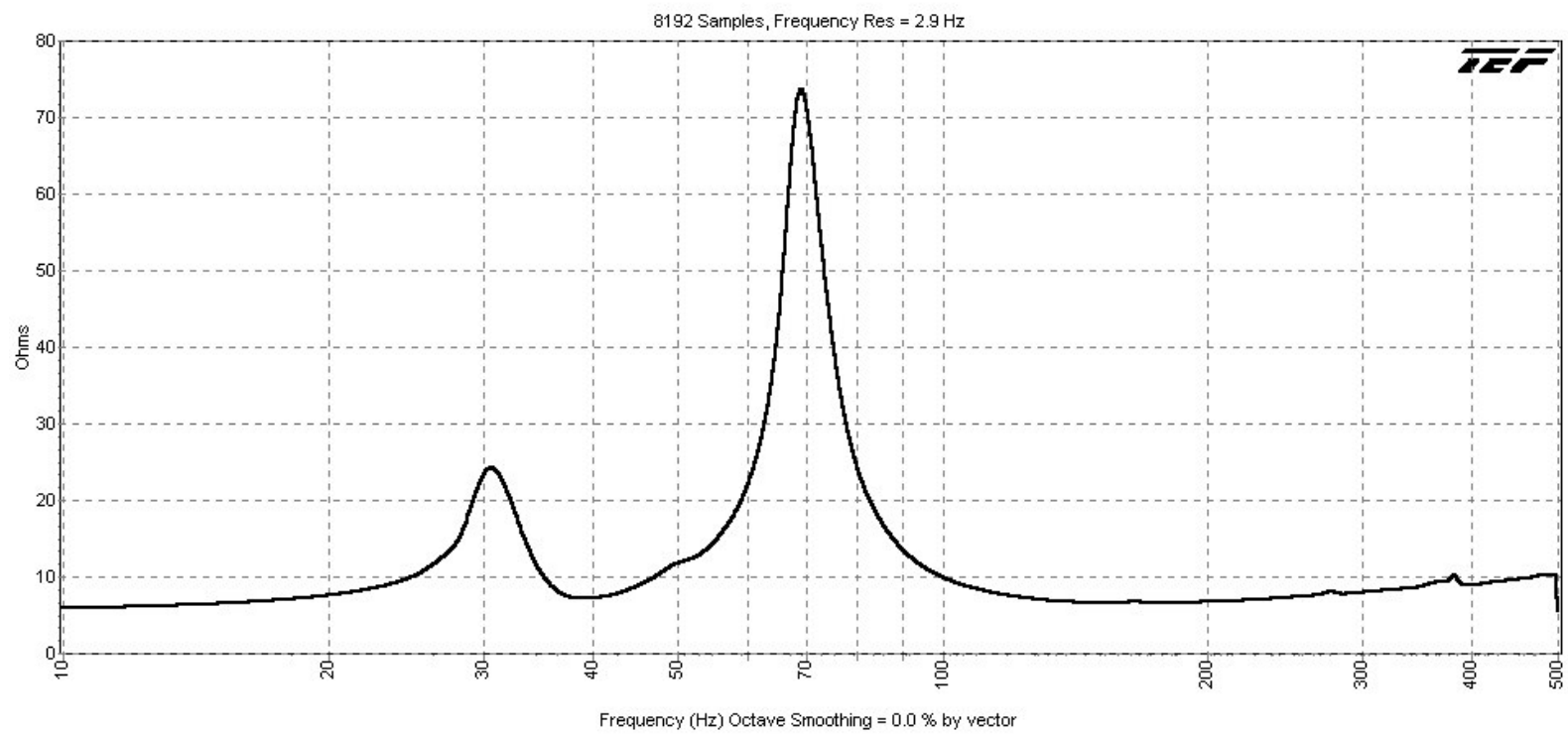
www.bcspeakers.com

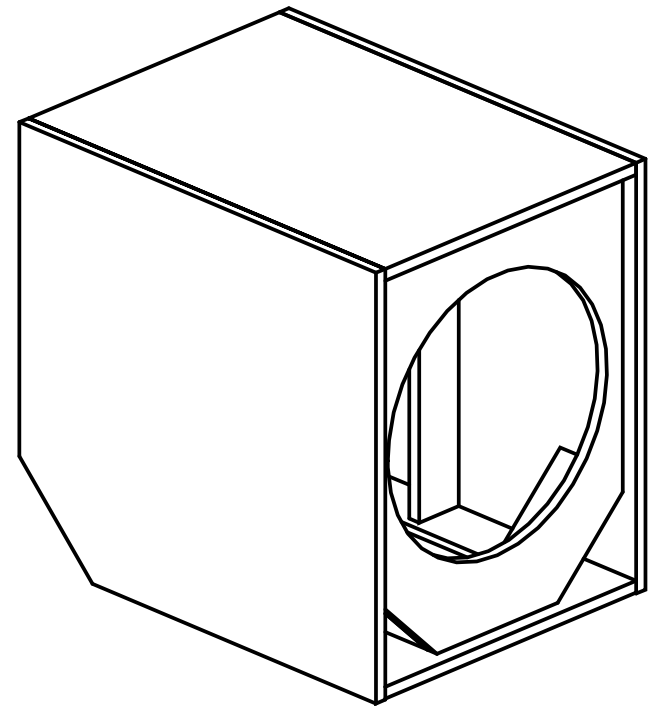
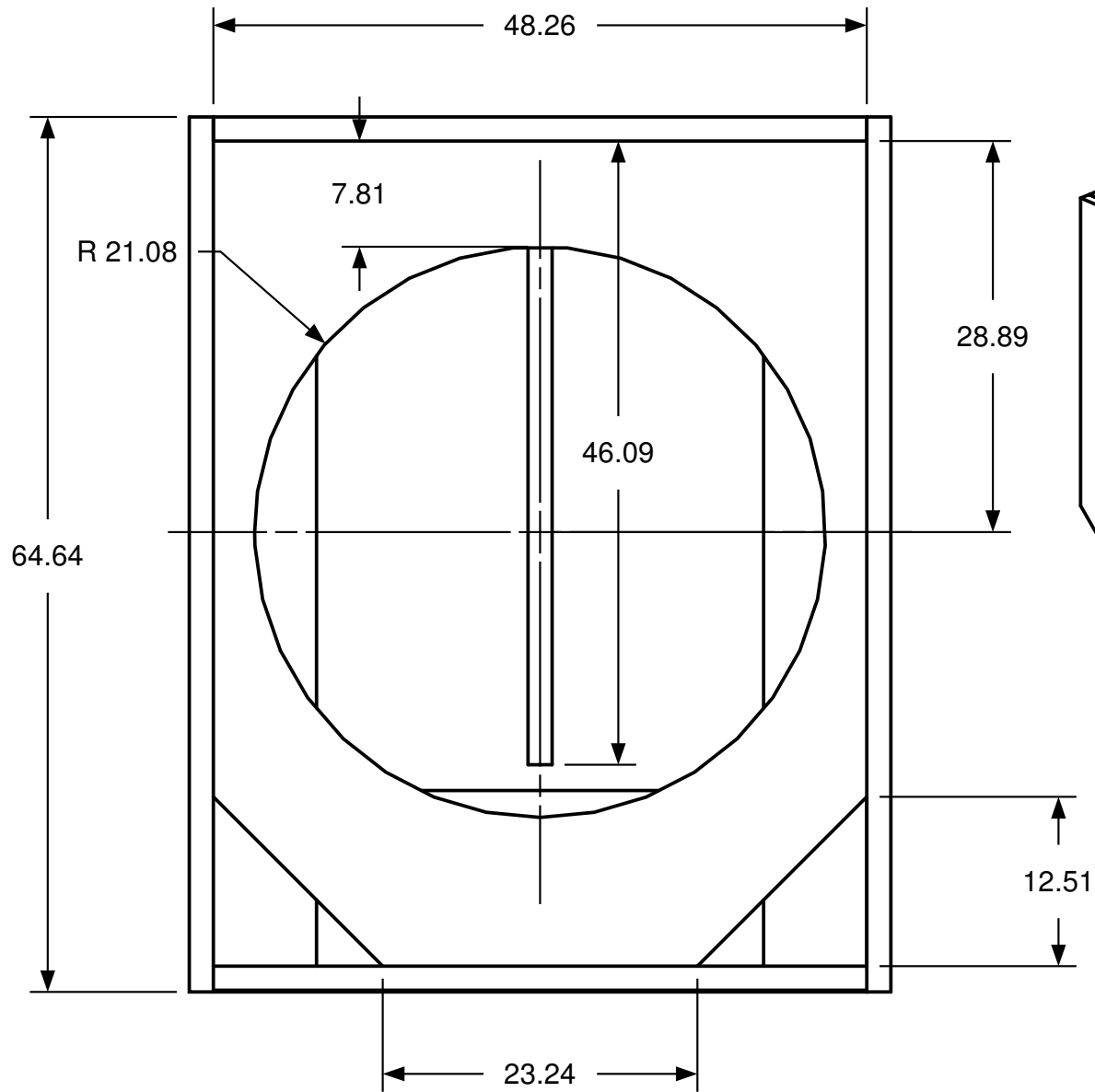


S18CN

Material 18mm Birch Plywood

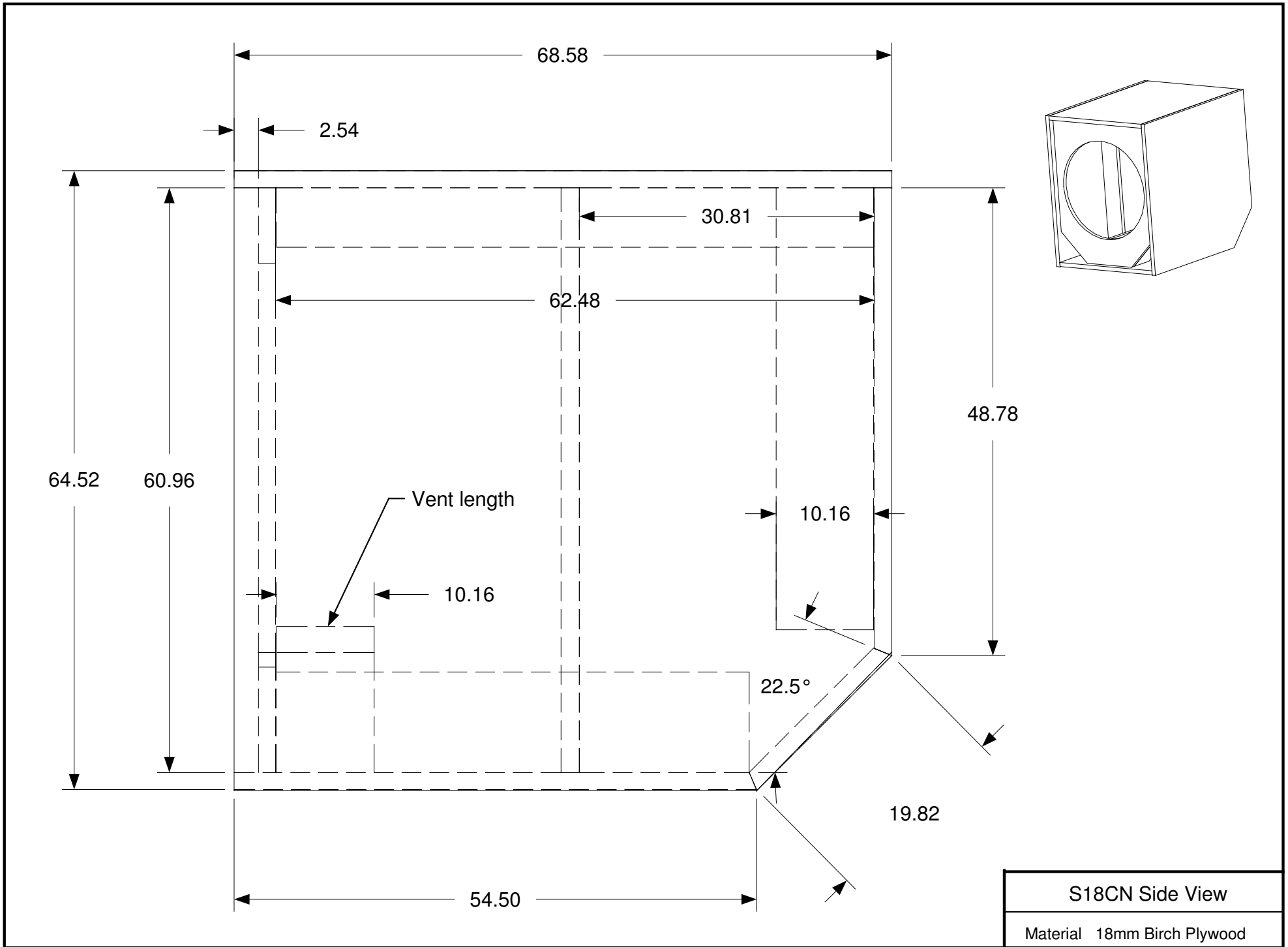


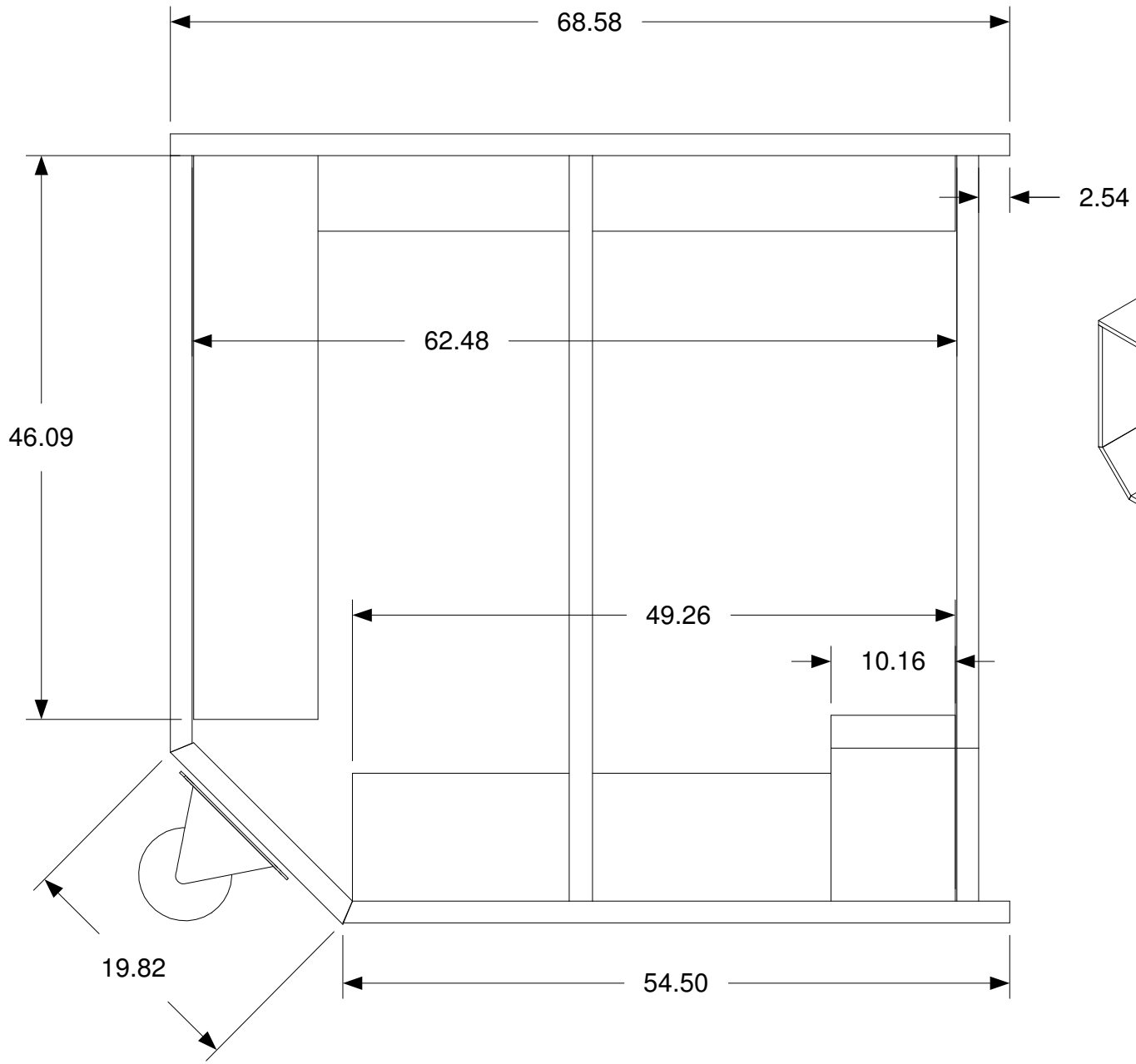




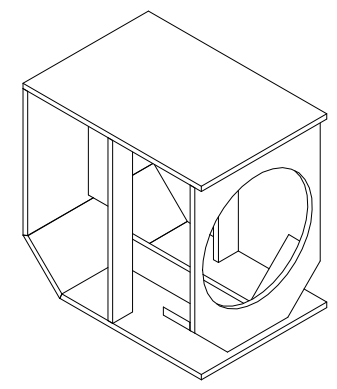
S18CN Baffle

Material 18mm Birch Plywood





2.54



S18C Bracing
Material 18mm Birch Plywood