



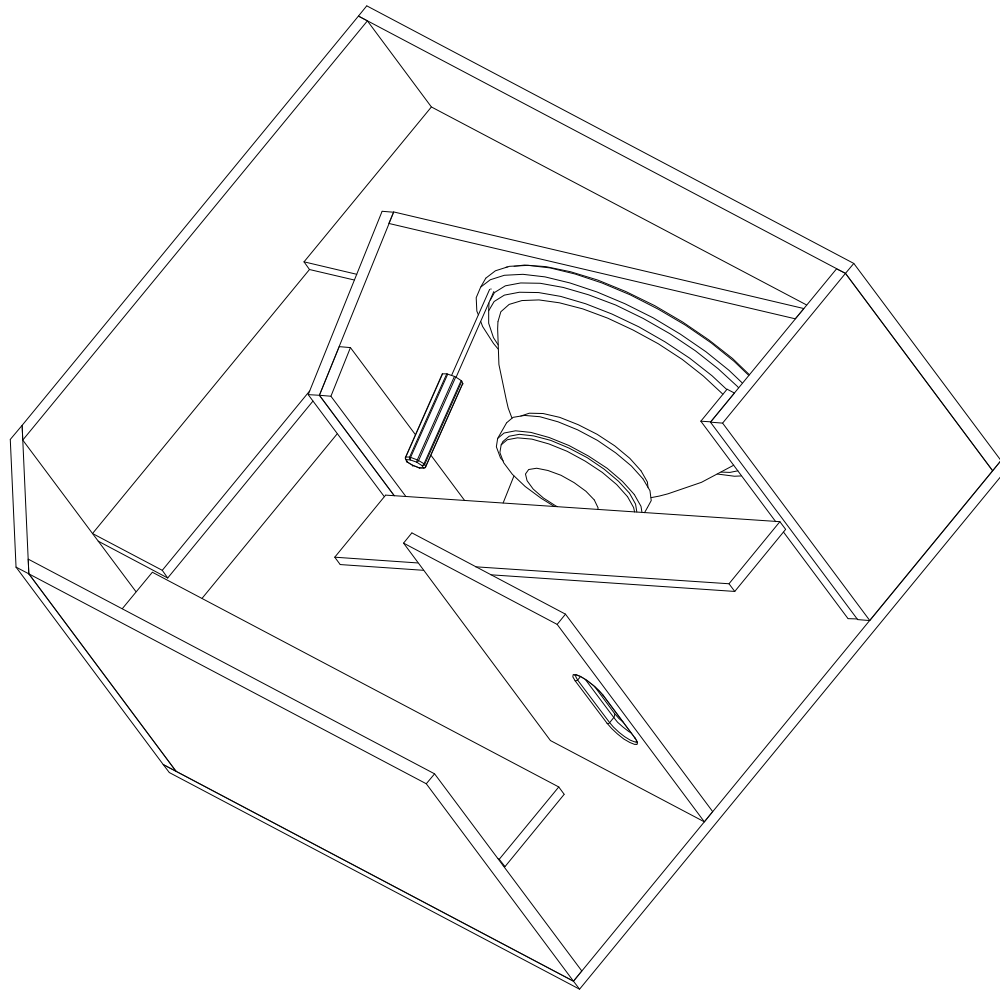
S18HN

Subwoofer

B&C Component Options

18" Neodymium Woofer – 18NW100 8 ohm

www.bcspeakers.com

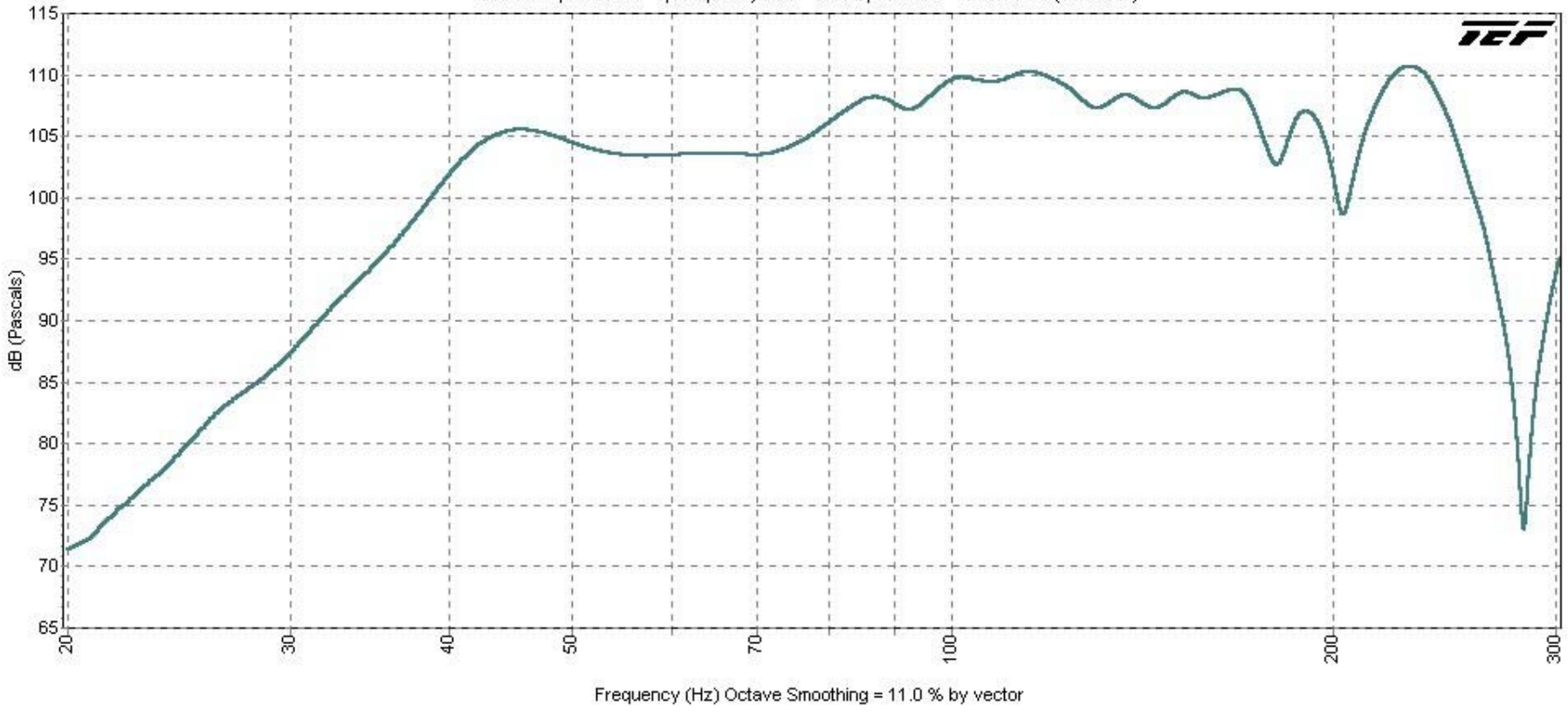


S18H 3D

18mm

spl 18NW100 neo feb 22 011.tds

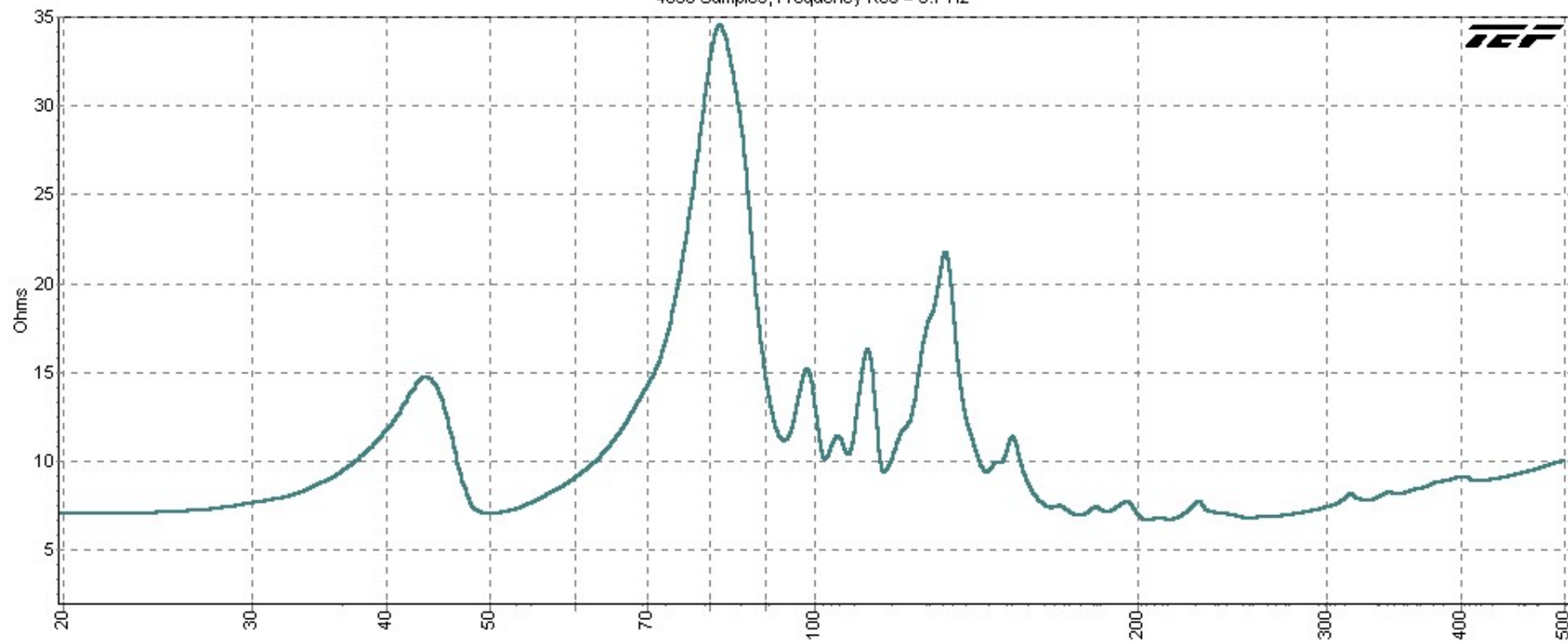
8192 Samples in 42.7 s, Frequency Res = 3.4 Hz, Time Res = 298.14 ms (102.68 m)



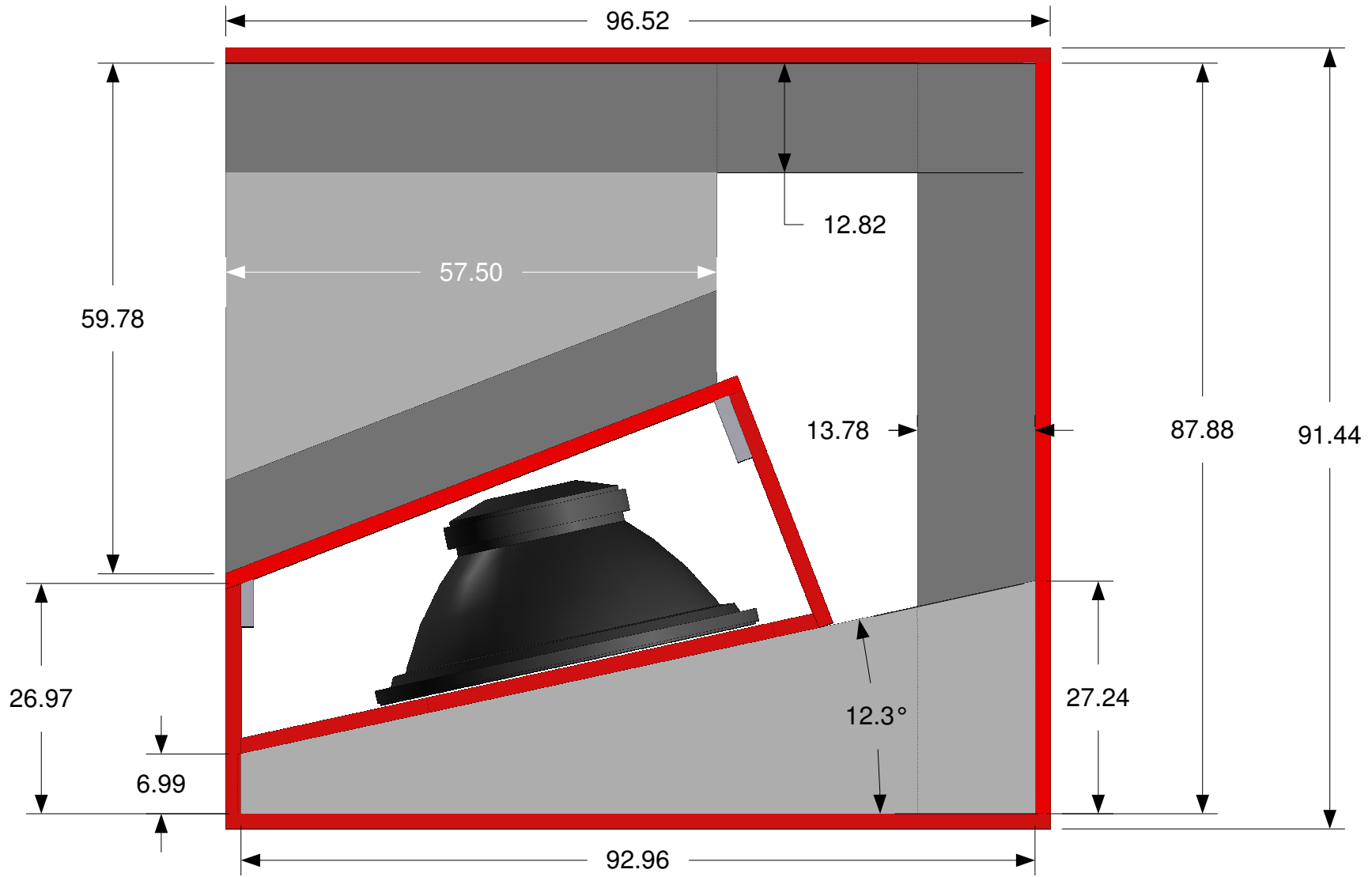
Cookie SPL curve may 14 2007 out 2m
outside 2/22/11 3:55:53 PM
2.84v mic 3m Mic sens correct to cookie jar □ □ □ SPL Acutate
Cursor = 7.0 Ohms at 19.8 Hz (degs)

Z-----18 horn 18nw100 neo feb 22 2011.imp

4096 Samples, Frequency Res = 3.7 Hz

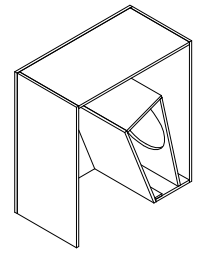
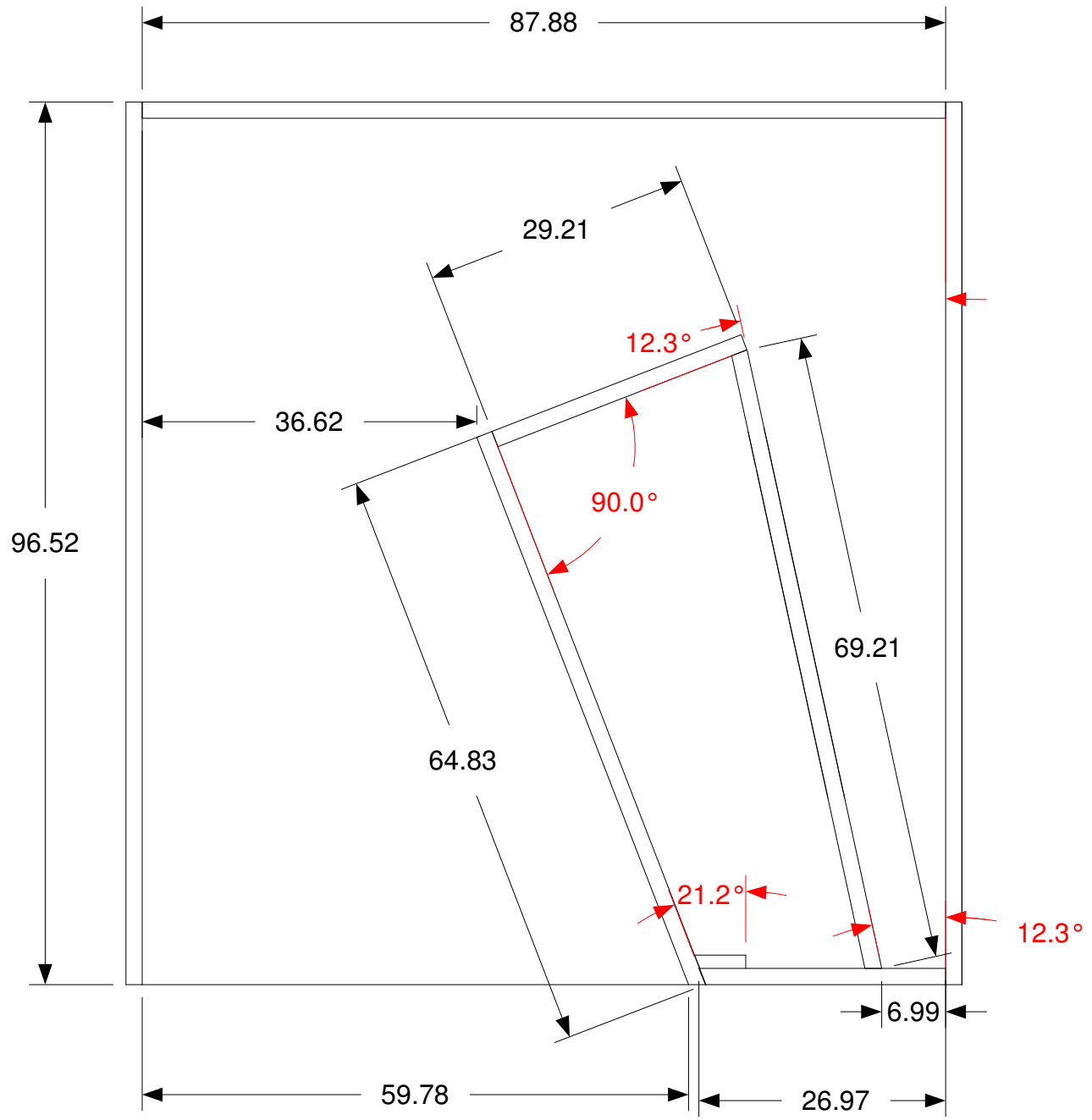


Frequency (Hz) Octave Smoothing = 0.0 % by vector

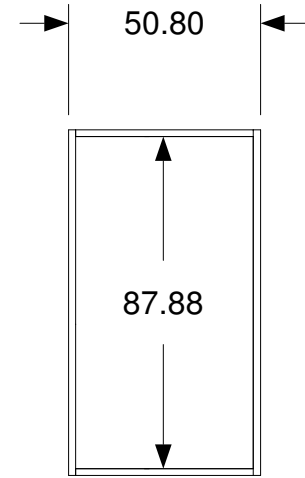
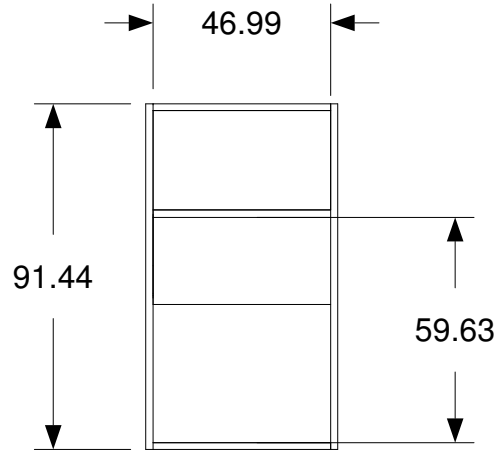
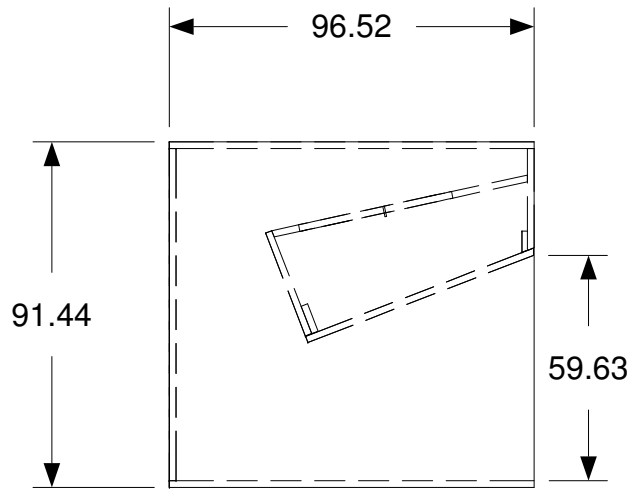
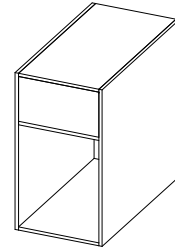


S18H BASSHORN

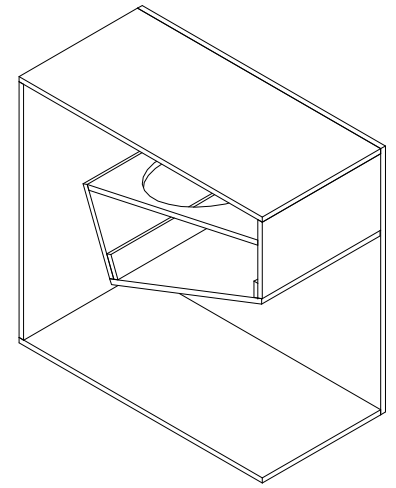
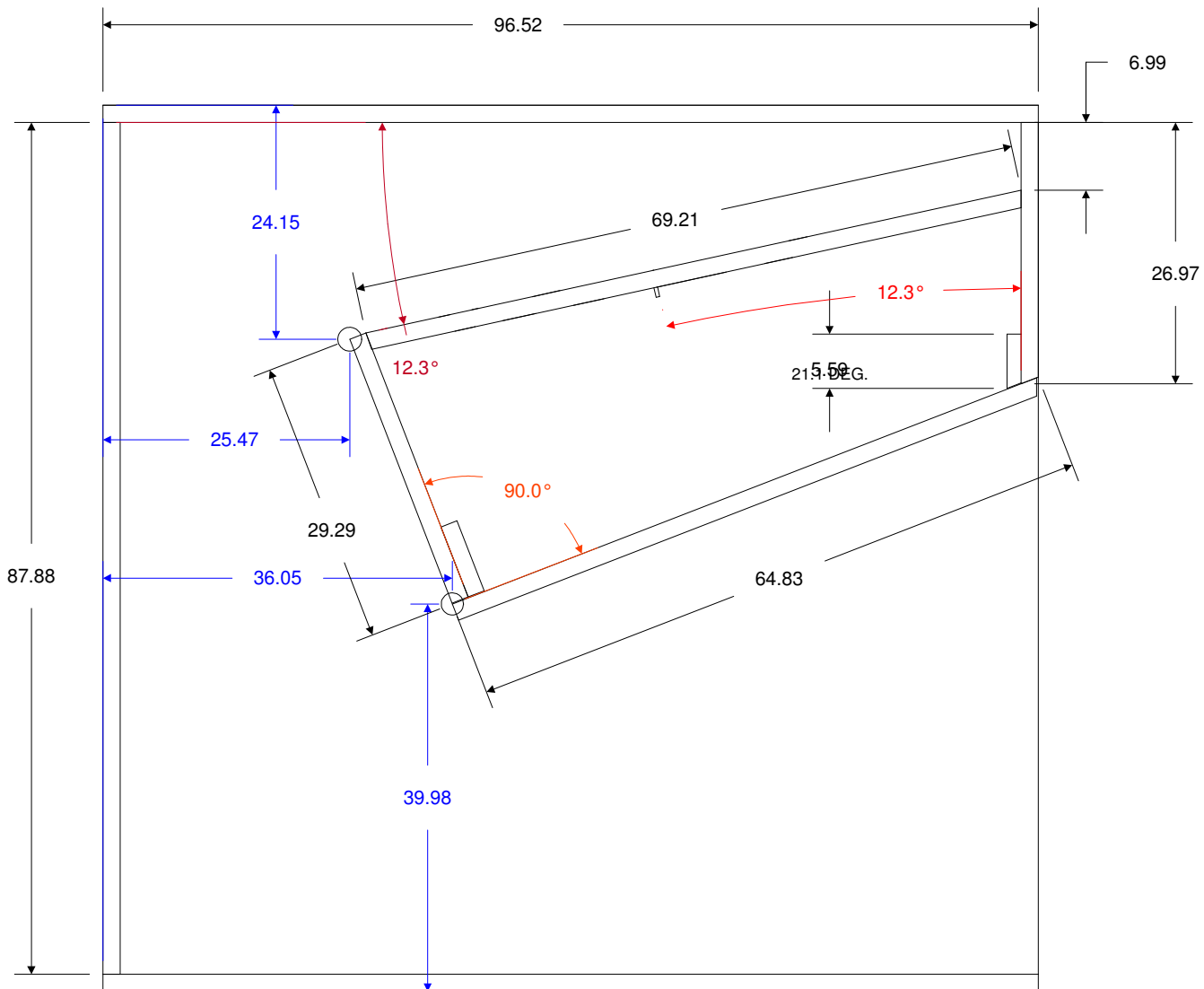
18mm



S18H GENERAL DIMS
18mm

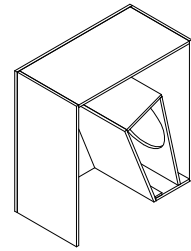
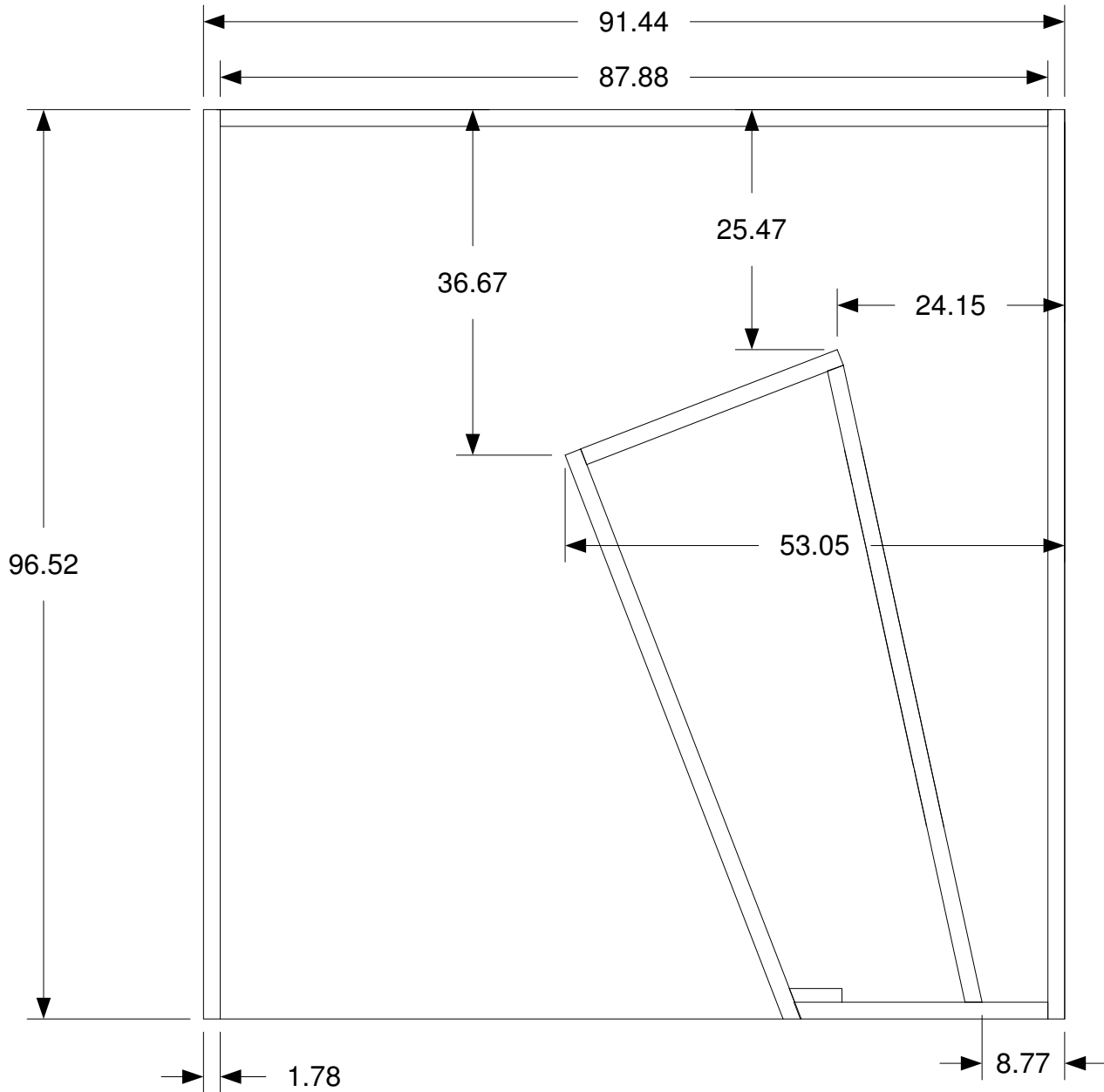


S18H WIDTH
18mm



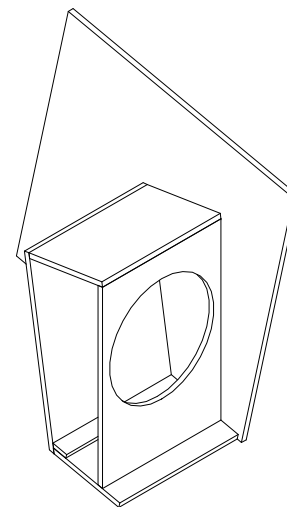
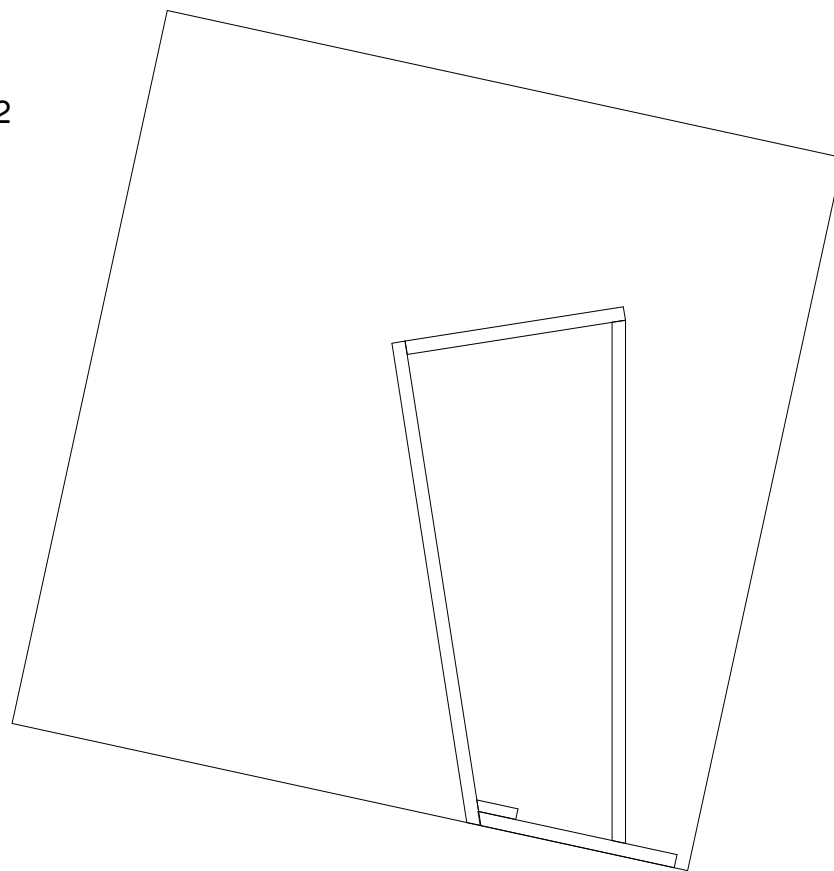
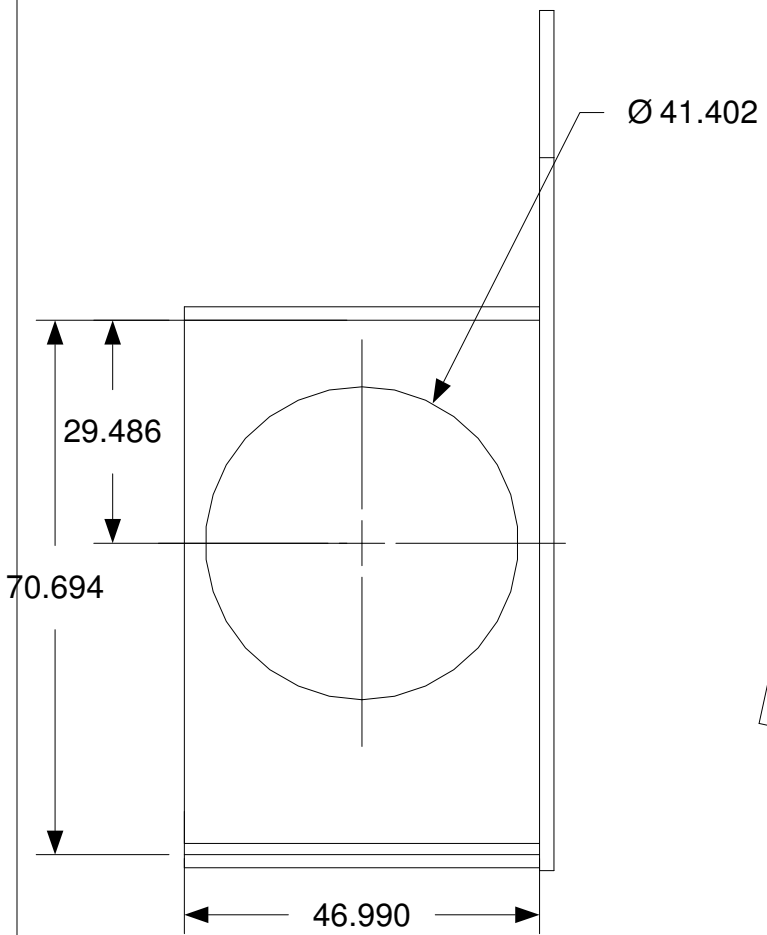
S18H INSIDE DIMS

18mm



S18H LOCATION POINTS

18mm



18mm