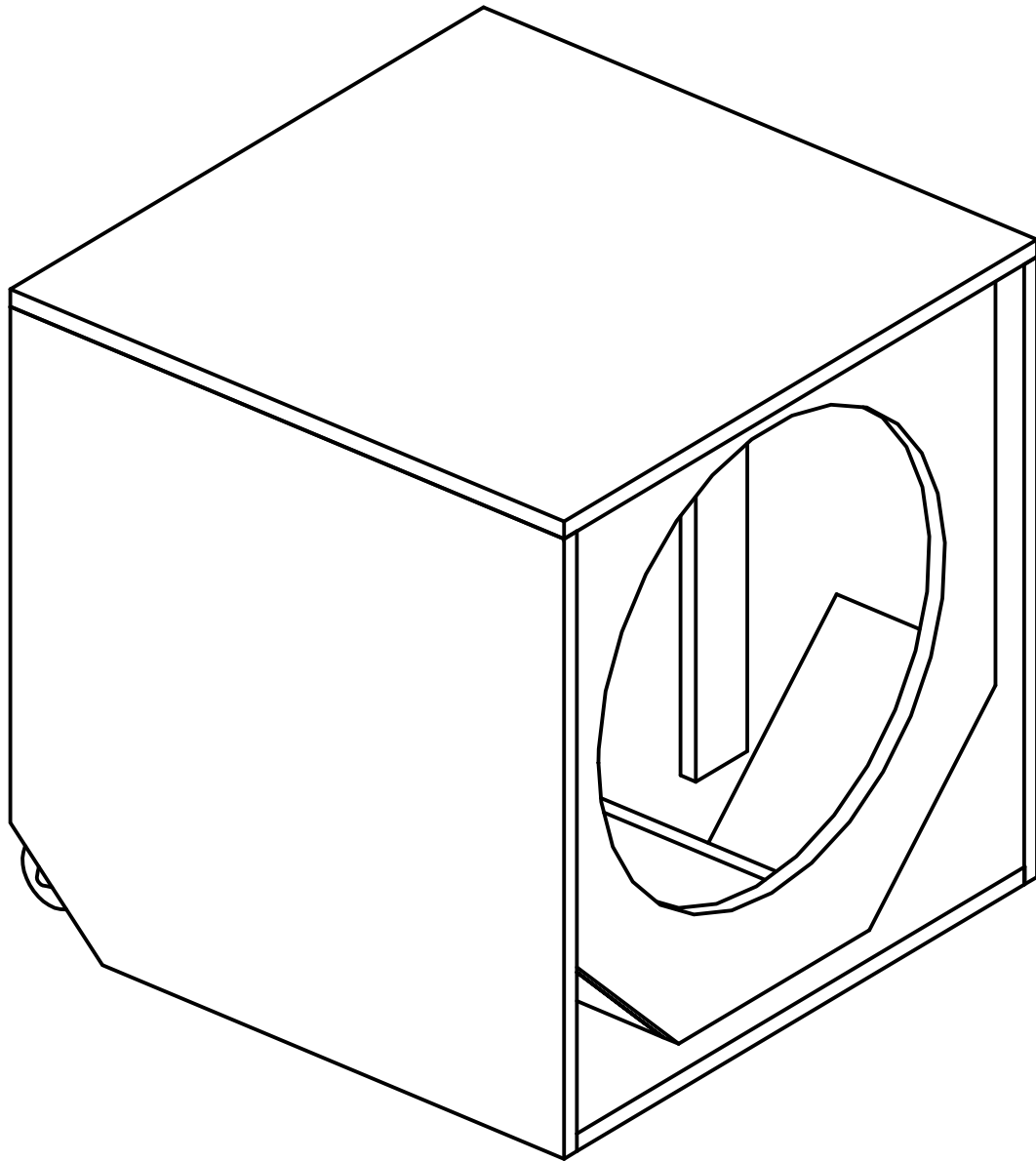




S21AN

B&C Component Options
21SW115 8 ohm

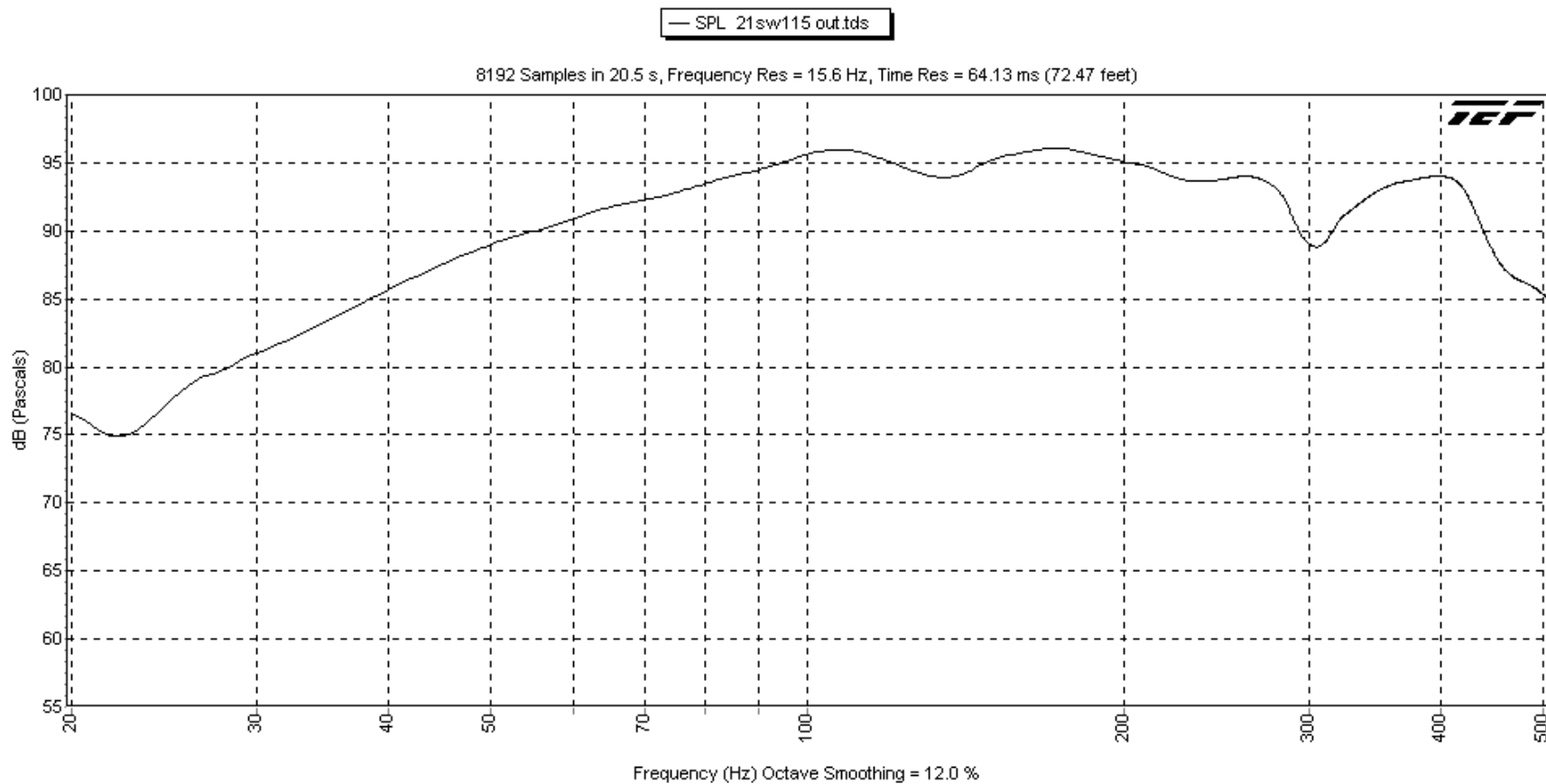
www.bcspeakers.com



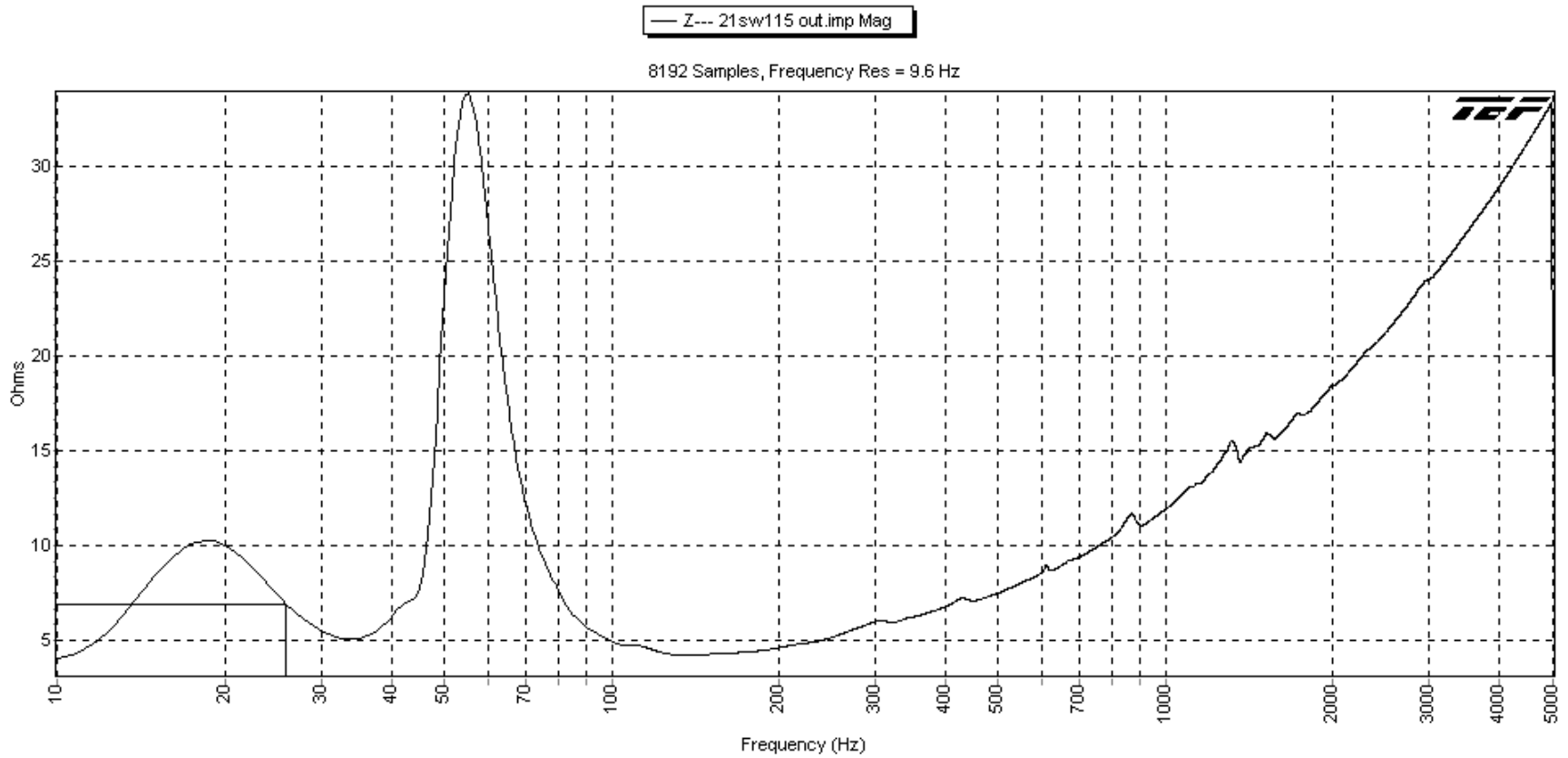
S21AN

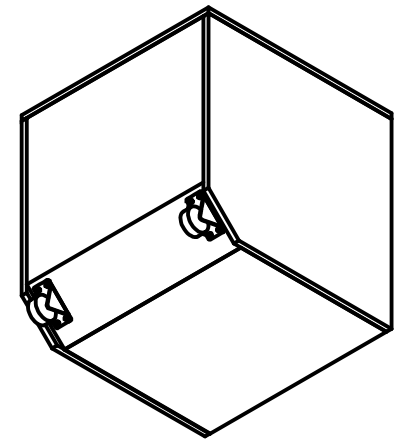
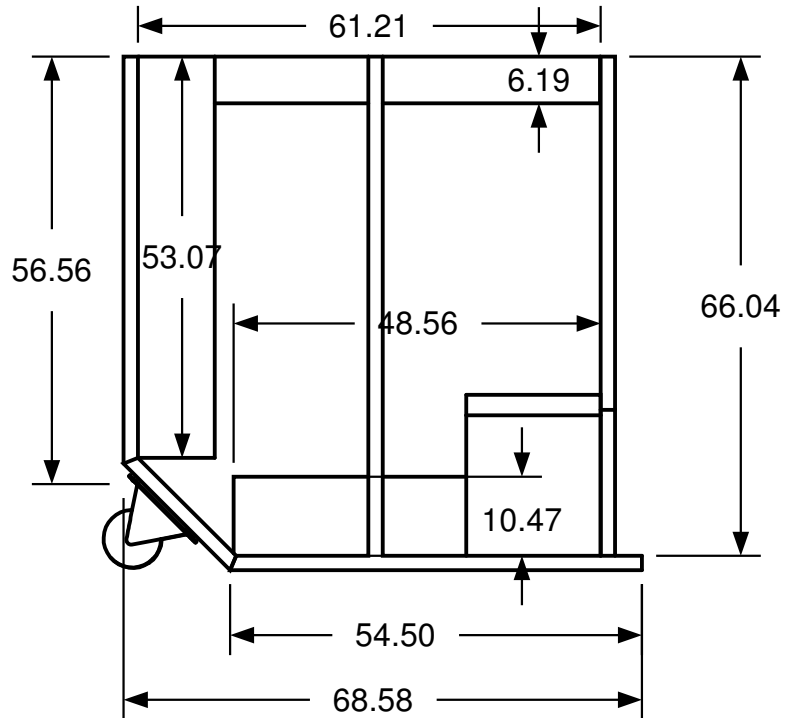
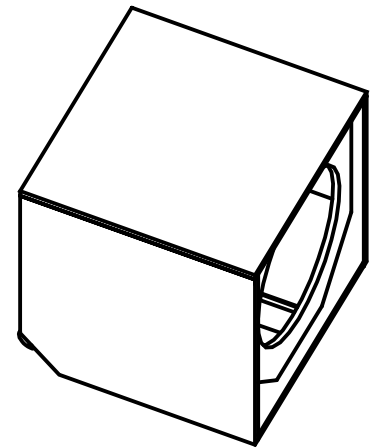
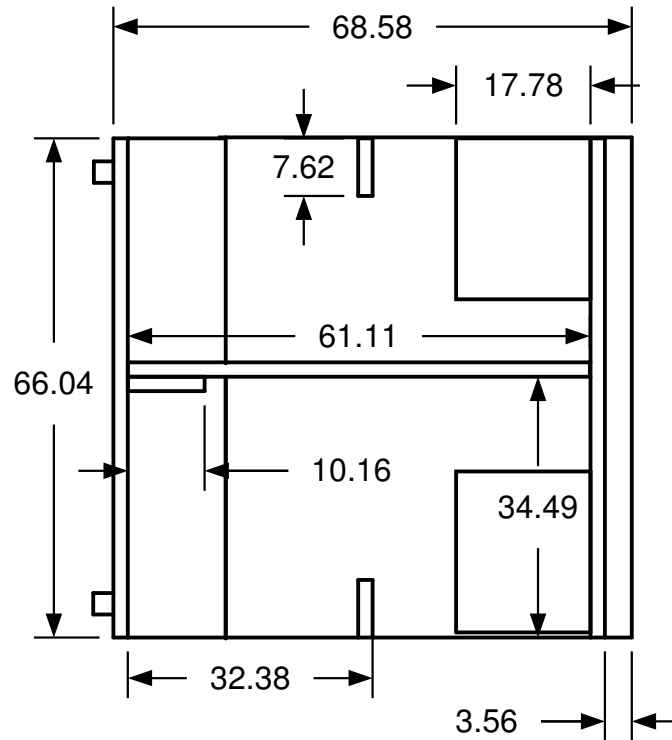
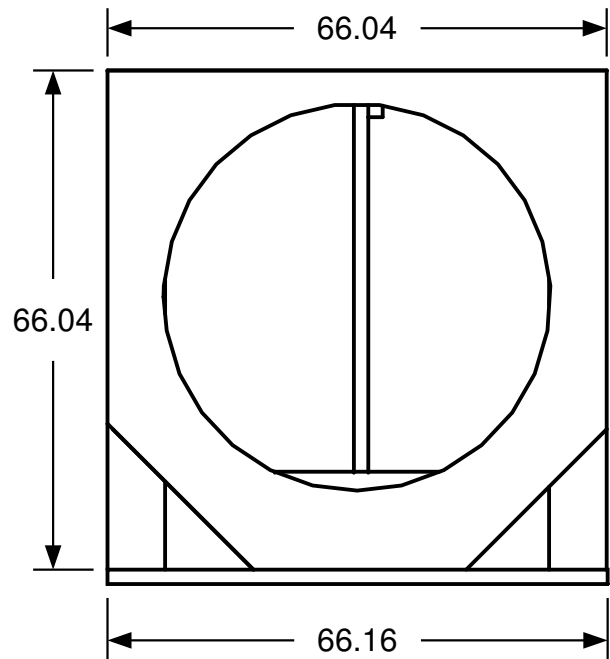
Material 18mm Birch Plywood

SPL 21sw115 out
12/9/09 2:40:22 AM out
2v



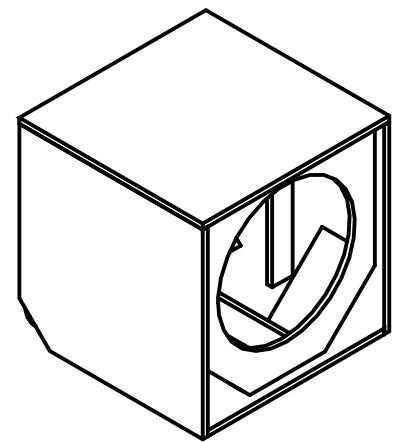
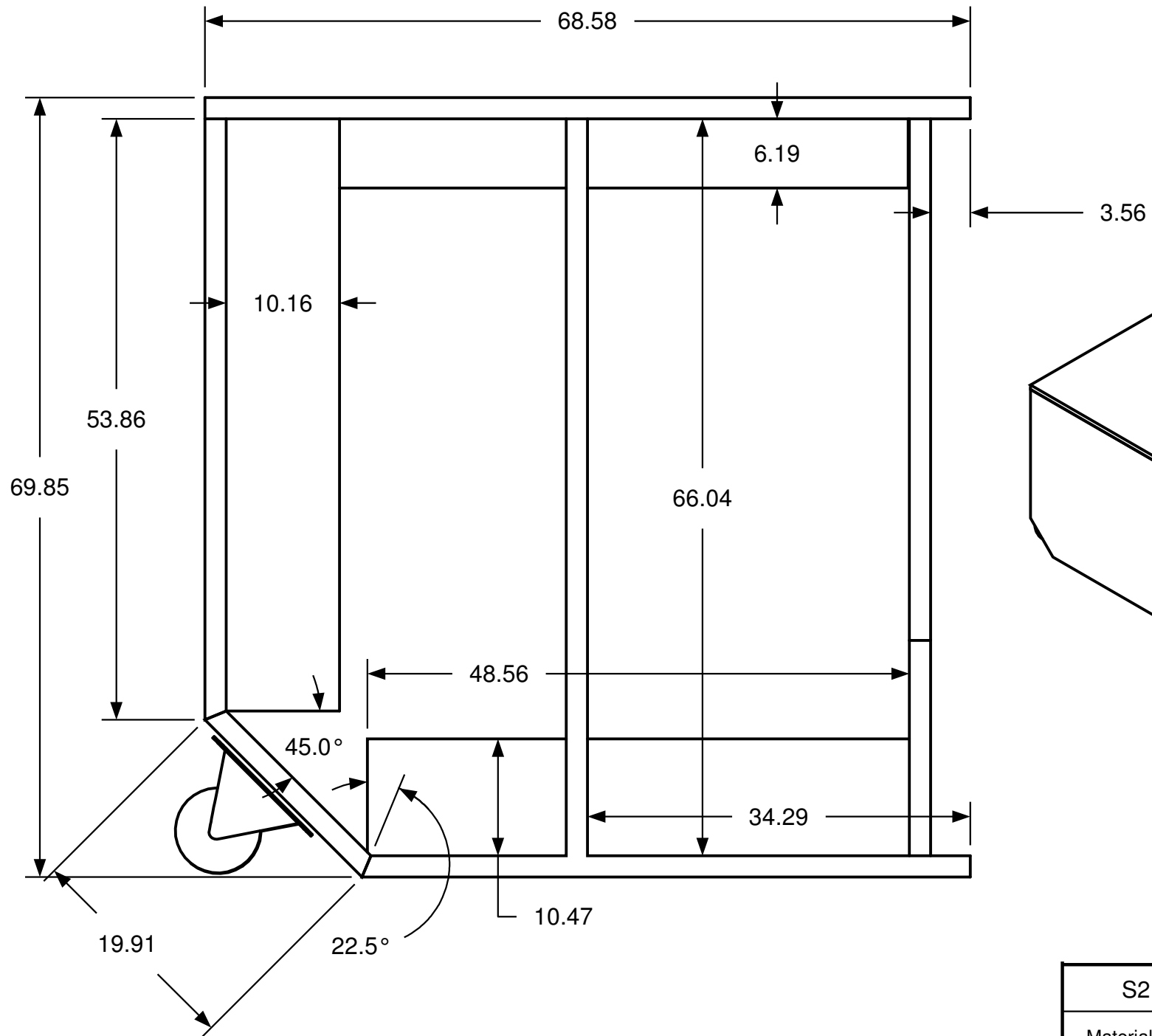
Z--- 21sw115 out
out 12/9/09 3:06:10 AM
2v
Cursor = 6.9 dB at 25.8 Hz (degs)



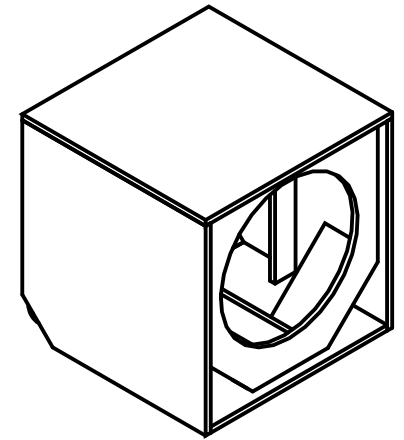
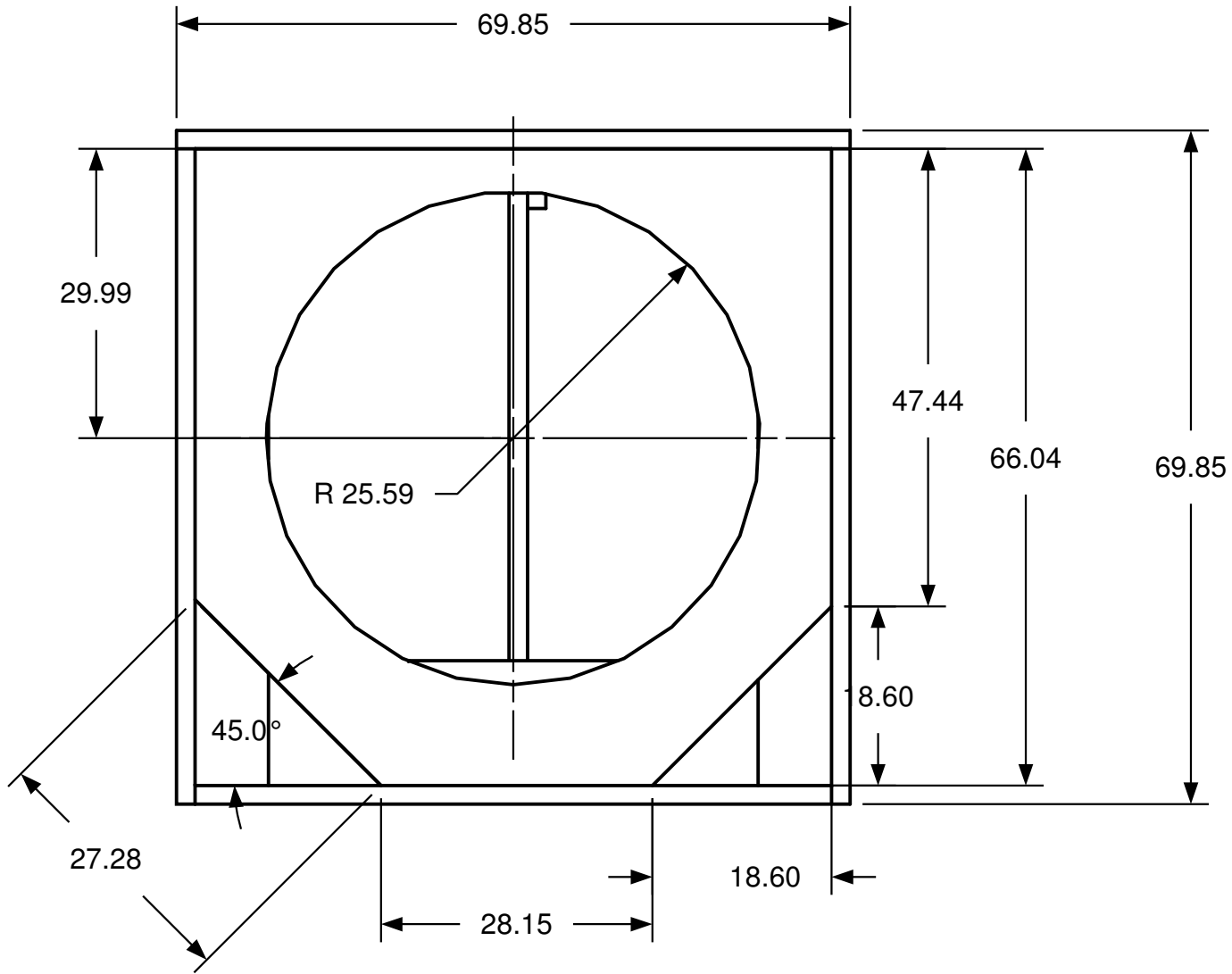


S21AN interior parts

Material 18mm Birch Plywood



S21AN SIDE VIEW
Material 18mm Birch Plywood



S21AN Baffle
Material 18mm Birch Plywood