

SUB218 - B&C Speakers subwoofer kit

Cabinet Type Bass Reflex

Box Volume 400 Dm³

Tuning Frequency 40 Hz

Nominal Impedance 4 ohm

LF Limit 35 Hz

Continuous Power Handling 2800 W

Nominal Power Handling (AES) 1400 W

Sensitivity (1W/1m) 101 dB

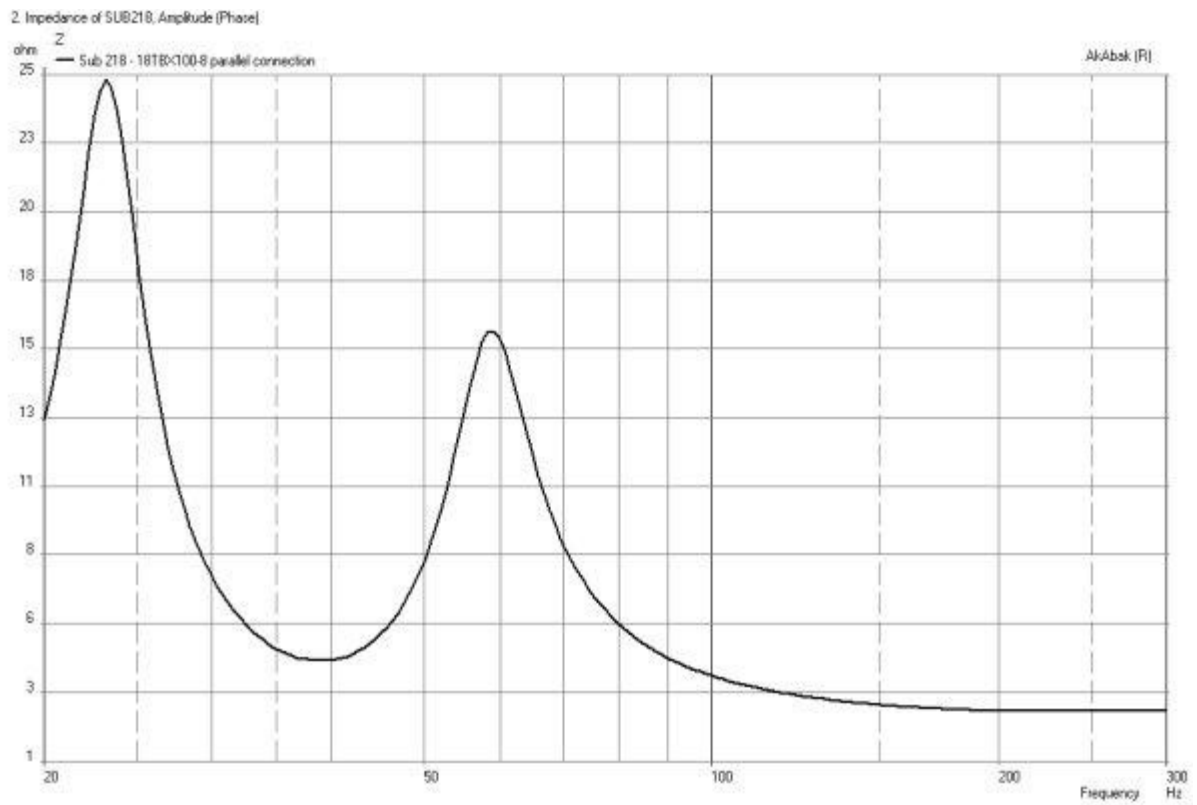
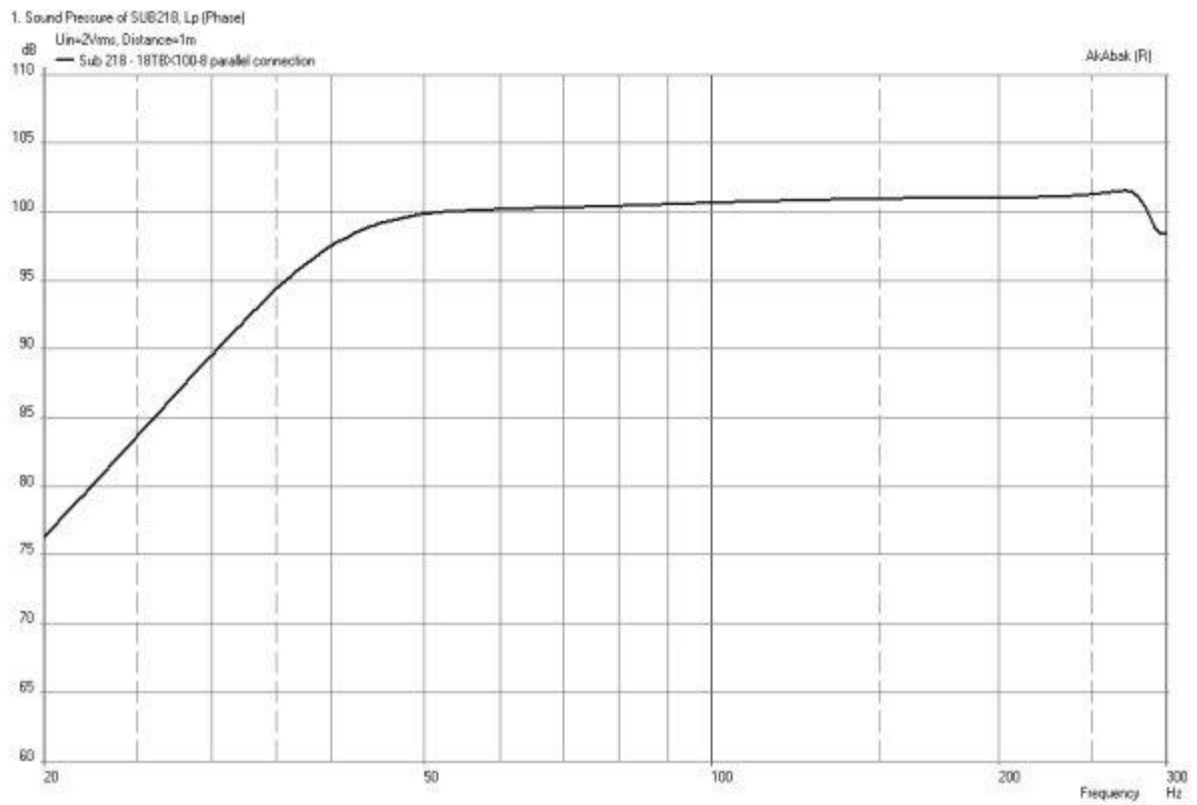
Max Peak SPL 138 dB

Max Long SPL 132 dB

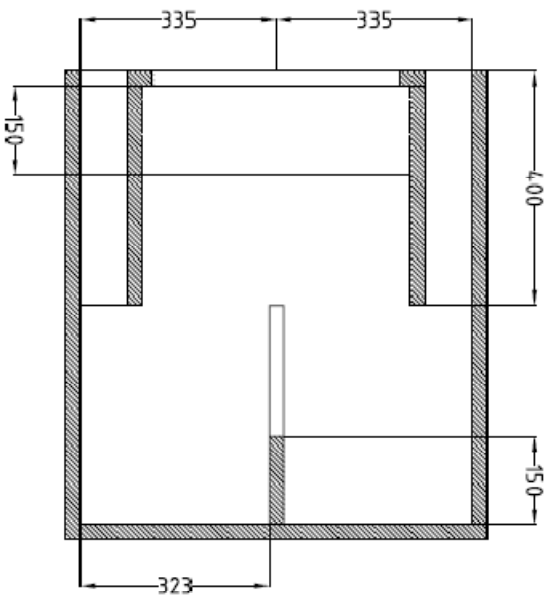
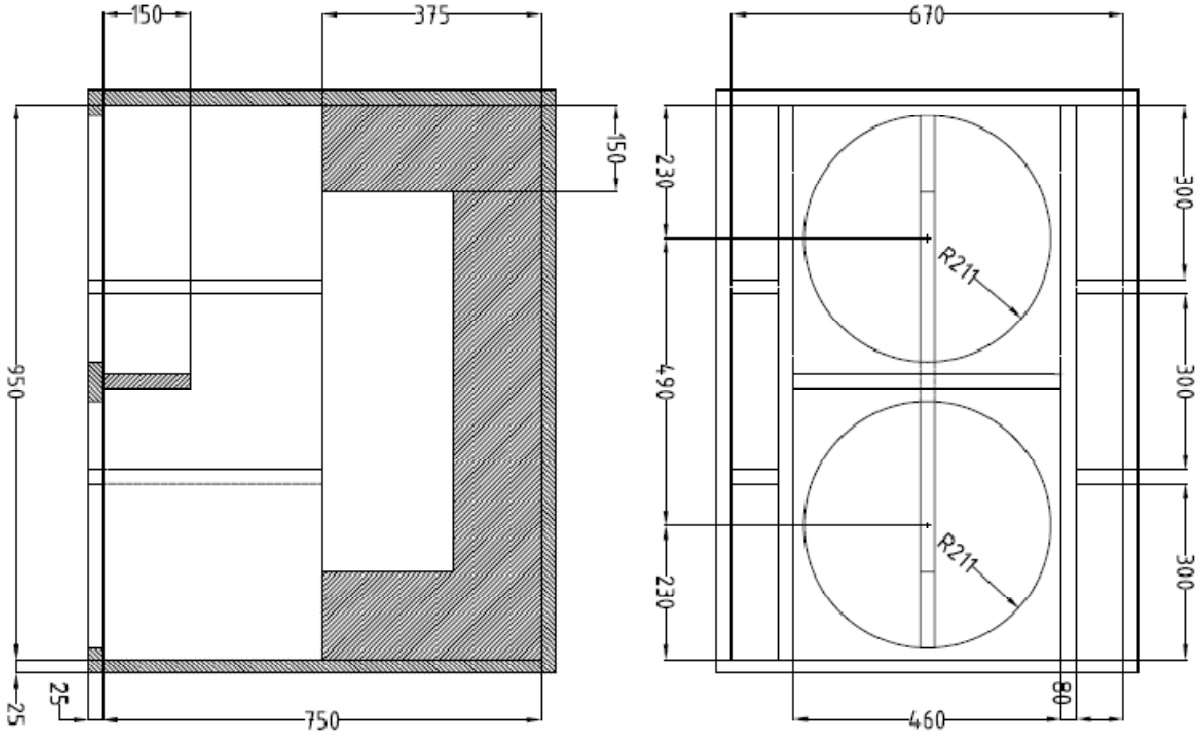
Components

LF Drivers 18TBX100 | 18PZB100 | 18PS100 | 18NW100

Graphs



Drawing



Bass Reflex Enclosure for 2 x B&C Speakers 18"
 Net Internal Volume = approx. 400 Litres
 Tuning Frequency = 40 Hz
 Dimensions in millimeters