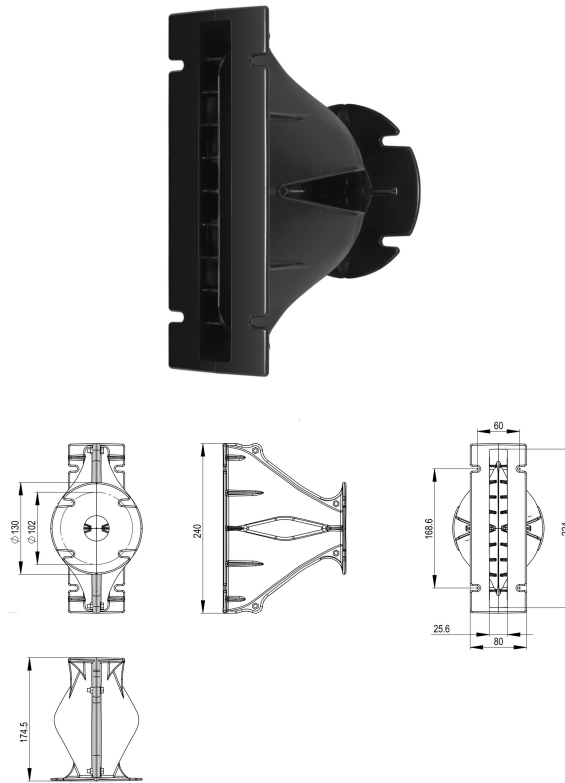


# ME148

0Ω

Horns - 1.4 Inches

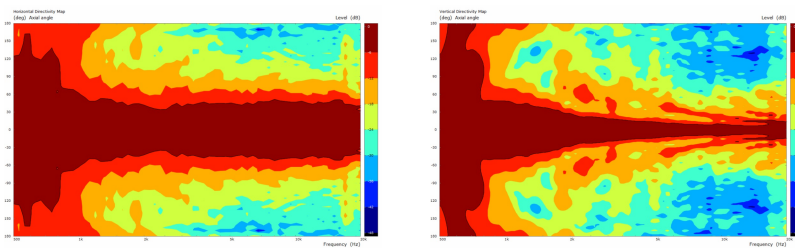


- 1.4" throat entry
- Line Array optimized Waveguide
- 120° max horizontal coverage
- Vertical coverage depends on configuration
- Very good loading down to 500 Hz
- Designed specifically for the extra octaves present in our coaxial compression driver



# ME148

Horns- 1.4 Inches



## SPECIFICATIONS<sup>1</sup>

Throat Diameter	36 mm (1.4 in)
Nominal Coverage Horizontal	120 °
Cutoff Frequency	0.5 kHz
Material	Polycarbonate
Design	Line Array Optimized Waveguide
Dimensions	240x80x174.5 mm (9.45x3.15x6.87 in)

## MOUNTING AND SHIPPING INFO

Baffle Cutout Dimension	224x25.4 mm (8.82x1.00 in)
Net Weight	0.78 kg (1.72 lb)
Shipping Units	1

1. Horn mounted on B&C DCX464 compression driver with B&C FB4648 passive crossover network