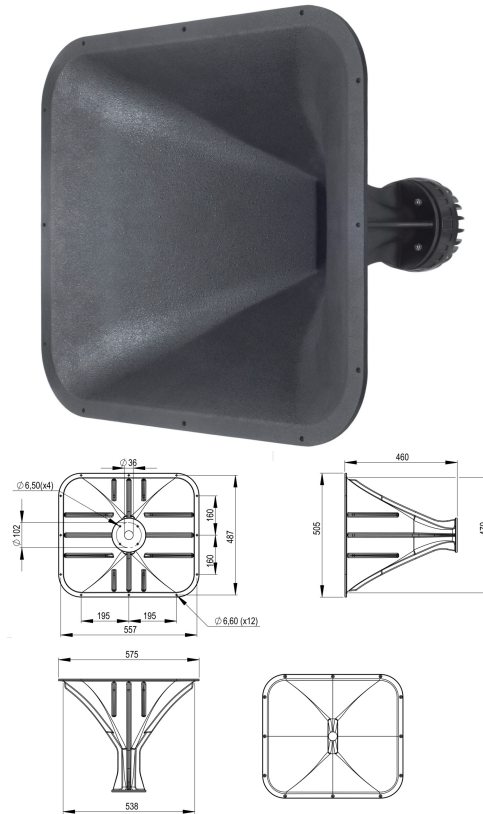


ME464

Horns - 1.4 Inches



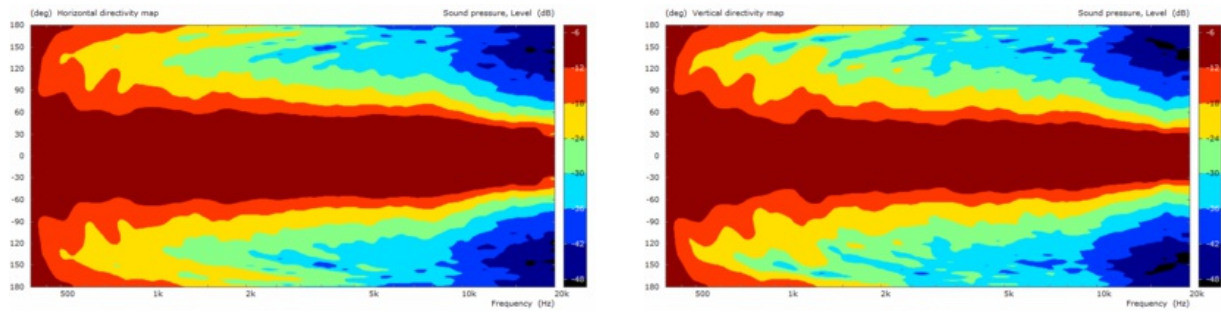
- 1.4" throat entry
- 70° x 55° nominal coverage
- Constant Directivity
- Excellent loading down to 300 Hz



Built to extract the full capabilities of our wide-bandwidth ring radiator drivers, B&C's new ME464 is the largest commercially available horn for professional audio. The 22" (575mm) wide mouth loads an attached driver to 300Hz, and the 1.4" throat stabilizes a 70° x 55° polar pattern to the upper limit of human hearing. Made of durable and non-resonant polyurethane, the ME464 can stand up to road use as well as shine in high output arrays in fixed installation. Reduced inter-box interaction and off axis energy from the tight pattern brings immediate benefits to sound quality and clarity, and the ME464 is the only horn which can support the full frequency response of our DCX464 coaxial driver.

ME464

Horns- 1.4 Inches



SPECIFICATIONS¹

Throat Diameter	36 mm (1.4 in)
Nominal Coverage Horizontal	70 °
Nominal Coverage Vertical	55 °
Cutoff Frequency	0.3 kHz
Material	Polyurethane
Design	Constant Directivity
Dimensions	575x505x460 mm (22.64x19.88x18.11 in)

MOUNTING AND SHIPPING INFO

Baffle Cutout Dimension	538x470 mm (21.18x18.50 in)
Net Weight	4.8 kg (10.58 lb)
Shipping Units	1
Shipping Weight	7.71 kg (17.0 lb)
Shipping Box	610x533x508 mm (24.02x20.98x20.00 in)
Specifications	4x 6.5 mm (0.255 in) holes 90° on 102 mm (4 in) diameter

1. Horn mounted on B&C DCX464 compression driver.