

KEY FEATURES

- High power handling: 600 W program power
- 2" copper wire voice coil
- High sensitivity: 95 dB (1W / 1m)
- FEA optimized ceramic magnetic circuit
- Designed with MMSS technology for high control, linearity and low harmonic distortion
- Waterproof cone treatment on both sides of the cone
- Extended controlled displacement: $X_{max} \pm 6$ mm
- $X_{damage} \pm 30$ mm
- Low harmonic distortion and linear response
- Wide range of applications of low and mid-low frequencies

TECHNICAL SPECIFICATIONS

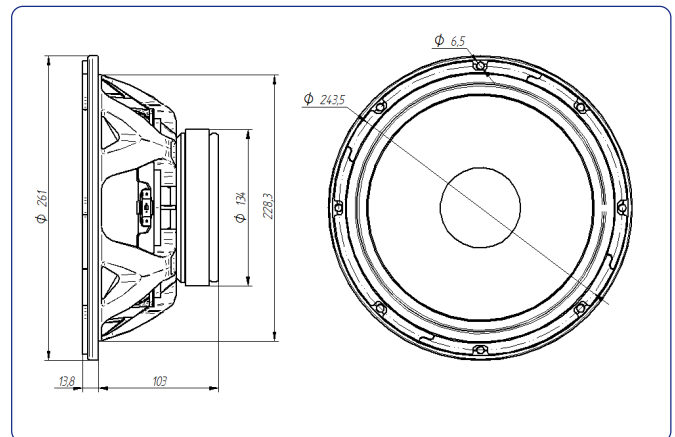
Nominal diameter	250 mm	10 in
Rated impedance		8 Ω
Minimum impedance		6,5 Ω
Power capacity*		300 W _{AES}
Program power		600 W
Sensitivity	95 dB	1W / 1m @ Z _N
Frequency range		50 - 5.000 Hz
Recom. enclosure vol.	15 / 50 l	0,53 / 1,77 ft ³
Voice coil diameter	50,8 mm	2 in
Bl factor		14,3 N/A
Moving mass		0,039 kg
Voice coil length		15 mm
Air gap height		8 mm
X _{damage} (peak to peak)		30 mm

THIELE-SMALL PARAMETERS**

Resonant frequency, f_s	47 Hz
D.C. Voice coil resistance, R_e	6 Ω
Mechanical Quality Factor, Q_{ms}	3,9
Electrical Quality Factor, Q_{es}	0,31
Total Quality Factor, Q_{ts}	0,29
Equivalent Air Volume to C_{ms} , V_{as}	50,5 l
Mechanical Compliance, C_{ms}	292 μ m / N
Mechanical Resistance, R_{ms}	2,9 kg / s
Efficiency, η_0	1,7 %
Effective Surface Area, S_d	0,035 m ²
Maximum Displacement, X_{max} ***	6 mm
Displacement Volume, V_d	210 cm ³
Voice Coil Inductance, L_e @ 1 kHz	1 mH



DIMENSION DRAWINGS



MOUNTING INFORMATION

Overall diameter	261 mm	10,28 in
Bolt circle diameter	243,5 mm	9,59 in
Baffle cutout diameter:		
- Front mount	230 mm	9,06 in
Depth	115 mm	4,52 in
Net weight	3,5 kg	7,71 lb
Shipping weight	3,9 kg	8,60 lb

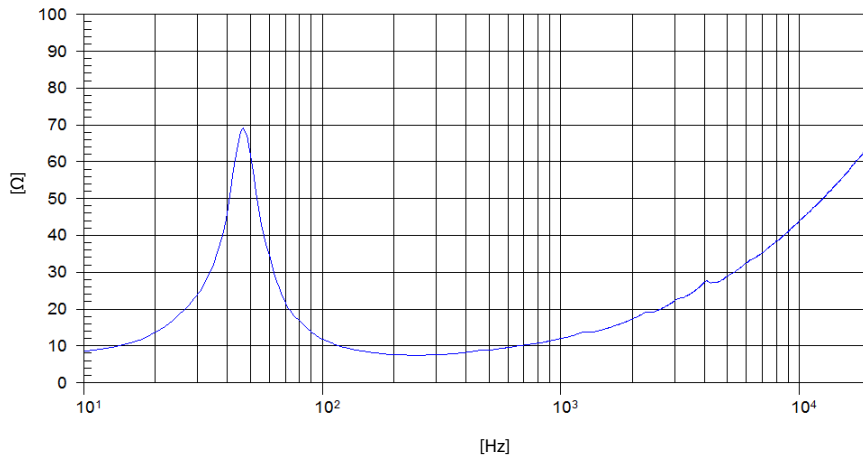
Notes:

* The power capacity is determined according to AES2-1984 (r2003) standard. Program power is defined as the transducer's ability to handle normal music program material.

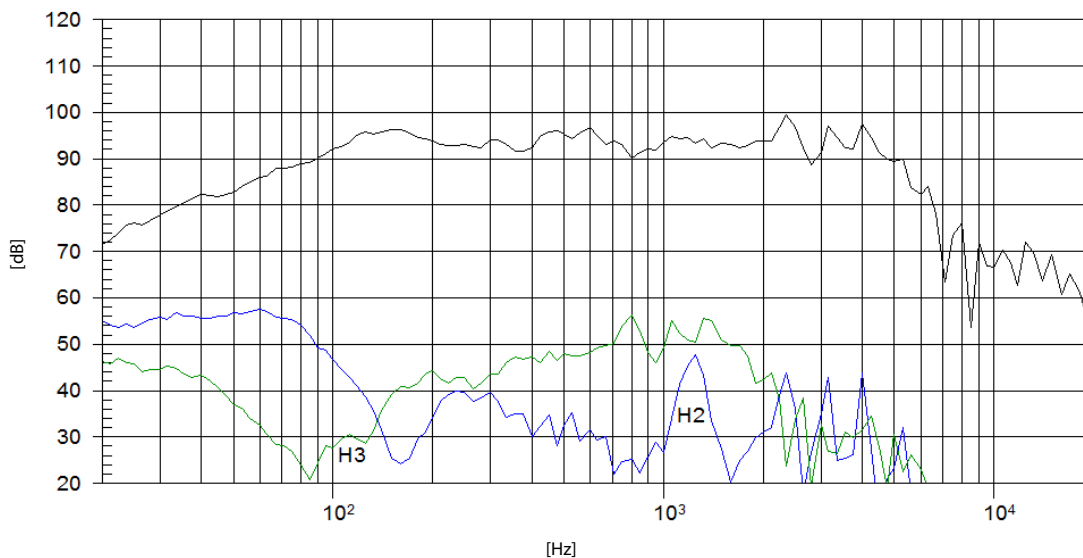
** T-S parameters are measured after an exercise period using a preconditioning power test. The measurements are carried out with a velocity-current laser transducer and will reflect the long term parameters (once the loudspeaker has been working for a short period of time).

*** The X_{max} is calculated as $(L_{vc} - H_{ag})/2 + (H_{ag}/3,5)$, where L_{vc} is the voice coil length and H_{ag} is the air gap height.

FREE AIR IMPEDANCE CURVE



FREQUENCY RESPONSE AND DISTORTION



Note: On axis frequency response measured with loudspeaker standing on infinite baffle in anechoic chamber, 1W @ 1m