

KEY FEATURES

- 200 W_{AES} power handling
- High sensitivity
- Low Resonant Frequency: 58 Hz
- Low harmonic distortion
- Extended controlled displacement: $X_{max} \pm 5,5$ mm
- Extended mechanical displacement capability: X_{pp} 20 mm
- CONEX spider and waterproof materials
- Designed with MMSS technology
- Forced air convection circuit for low power compression
- Ferrite magnet system
- Optimal for small / compact designs

TECHNICAL SPECIFICATIONS

Nominal diameter	165 mm	6,5 in
Rated impedance		8 Ω
Minimum impedance		5,9 Ω
Power capacity*		200 W _{AES}
Program power		400 W
Sensitivity	93 dB @ 1W @ Z _N	
Frequency range		55 - 9.000 Hz
Recom. enclosure vol.	6 / 20 l	0,21 / 0,71 ft ³
Voice coil diameter	51,7 mm	2 in
Bl factor		10,5 N/A
Moving mass		0,017 kg
Voice coil length		14 mm
Air gap height		9 mm
X _{damage} (peak to peak)		20 mm

MOUNTING INFORMATION

Overall diameter	187,5 mm	7,38 in
Bolt circle diameter	172 mm	6,77 in
Baffle cutout diameter:		
- Front mount	145,3 mm	5,70 in
Depth	86,5 mm	3,4 in
Volume displaced by driver	0,6 l	0,02 ft ³
Net weight	3,1 kg	6,83 lb
Shipping weight	3,5 kg	7,77 lb

Notes:

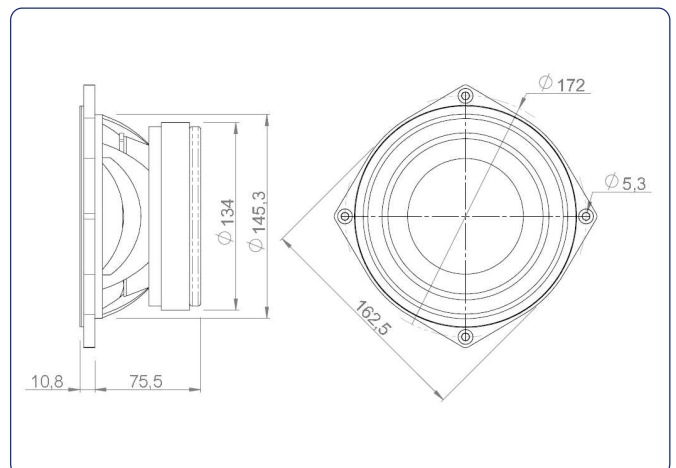
* The power capacity is determined according to AES2-1984 (r2003) standard. Program power is defined as the transducer's ability to handle normal music program material.

** T-S parameters are measured after an exercise period using a preconditioning power test. The measurements are carried out with a velocity-current laser transducer and will reflect the long term parameters (once the loudspeaker has been working for a short period of time).

*** The X_{max} is calculated as $(L_{vc} - H_{ag})/2 + (H_{ag}/3,5)$, where L_{vc} is the voice coil length and H_{ag} is the air gap height.



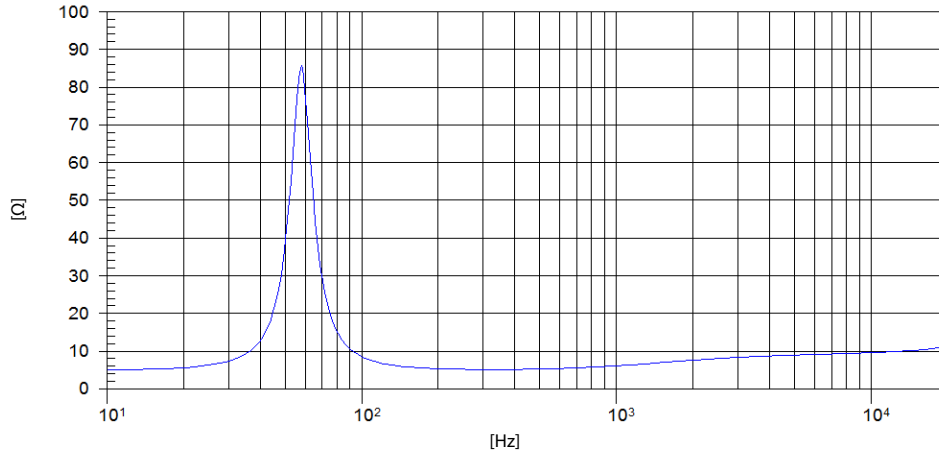
DIMENSION DRAWINGS



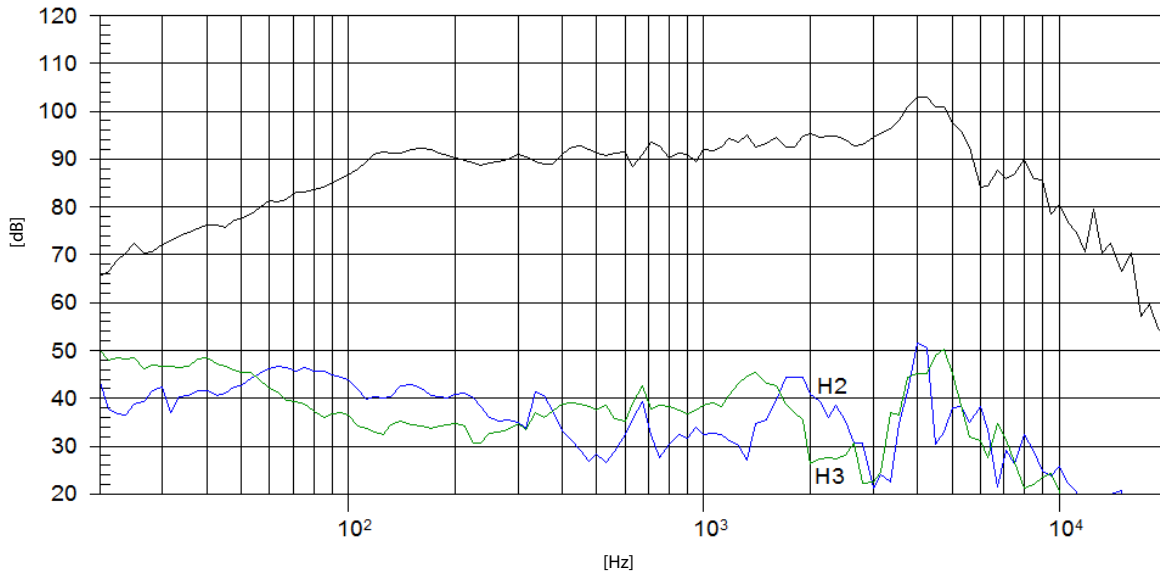
THIELE-SMALL PARAMETERS**

Resonant frequency, f_s	58 Hz
D.C. Voice coil resistance, R_e	4,9 Ω
Mechanical Quality Factor, Q_{ms}	4,6
Electrical Quality Factor, Q_{es}	0,27
Total Quality Factor, Q_{ts}	0,26
Equivalent Air Volume to C_{ms} , V_{as}	11,1 l
Mechanical Compliance, C_{ms}	429 μ m / N
Mechanical Resistance, R_{ms}	1,40 kg / s
Efficiency, η_0	0,75 %
Effective Surface Area, S_d	0,0135 m ²
Maximum Displacement, X_{max} ***	5,5 mm
Displacement Volume, V_d	74,25 cm ³
Voice Coil Inductance, L_e	0,3 mH

FREE AIR IMPEDANCE CURVE



FREQUENCY RESPONSE AND DISTORTION



Note: On axis frequency response measured with loudspeaker standing on infinite baffle in anechoic chamber, 1W @ 1m