

KEY FEATURES

- Extended frequency response (1 - 22 kHz)
- High sensitivity (91 dB)
- Specially treated fabric dome
- Neodymium magnet
- Aluminium front cover
- Designed for the high frequencies reproduction

TECHNICAL SPECIFICATIONS

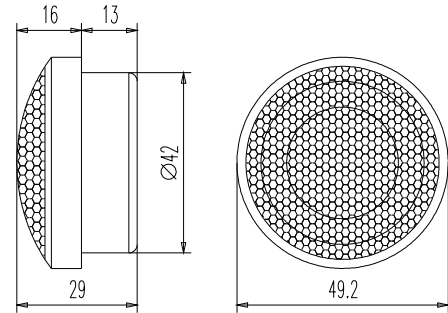
Nominal impedance	4 ohms
Power handling / maximum	25 W RMS / 60 W
Sensitivity	91 dB 1w @ 1m
Frequency range	1 - 22 kHz
Recommended crossover frequency	3000 Hz, 12 dB/oct.
Resonant frequency, fs	1.3 kHz
Voice coil diameter	25.8 mm. 1.02 in.
Diaphragm material	Plasticised fabric

MOUNTING INFORMATION

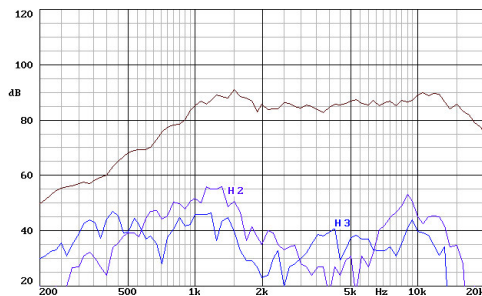
Overall diameter	49.2 mm. 1.94 in.
Depth	29 mm. 1.14 in.
Baffle cutout dimensions	42 mm. 1.65 in.



DIMENSION DRAWINGS



FREQUENCY RESPONSE



Nota: on axis frequency response measured on anechoic chamber, applying 1w@1m.

IMPEDANCE CURVE

