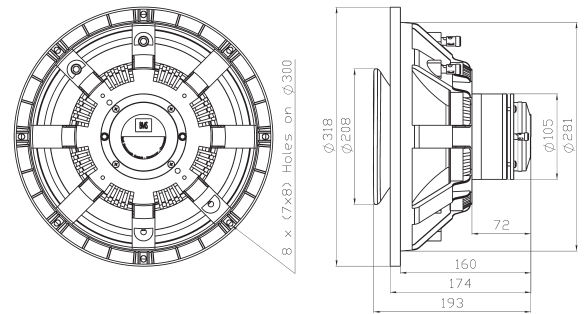


Features:

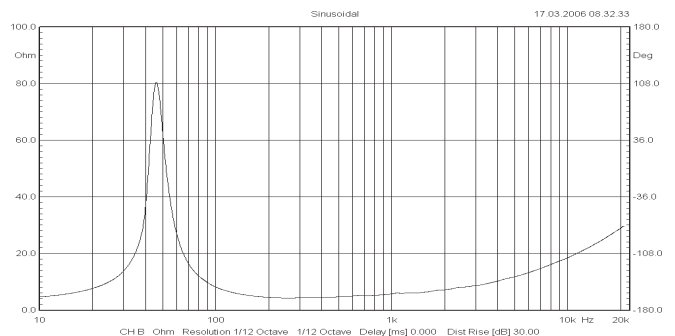
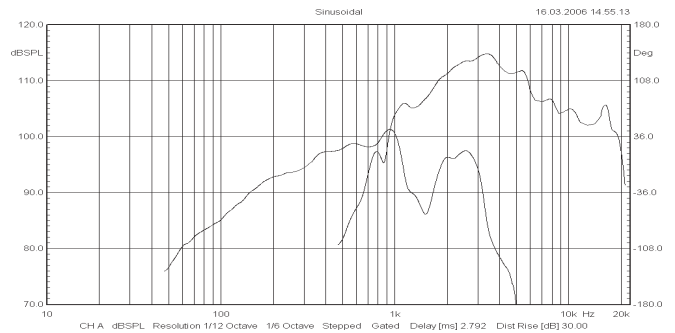
- Neodymium coaxial transducer
- 98dB sensitivity 1W/1m
- 500W + 80W Power handling
- 3" copper sandwich voice coil
- Triple aluminum demodulating rings
- elliptical 80° x 60° waveguide for precise directivity
- Single point source providing coherent wave front
- Very high SPL, superb quality sound
- Optimal for compact 2-way systems

SPECIFICATIONS

APPLICATION	Transducer		
Nominal impedance	Ohm	8/8	
Power handling AES noise	W	500	
LOW FREQUENCY UNIT			
Sensitivity (1W/1m)	dB	98	
Frequency response	Hz	50 - 20000	
Voice coil diameter	mm	77 (3")	
Voice coil material		Cu	
Voice coil winding depth	mm	19	
Magnet gap depth	mm	8	
Basket		Cast Aluminum	
Voice coil inductance Le	mH	0.6	
THIELE - SMALL PARAMETERS			
Resonance frequency	Fs	Hz	46
DC resistance	Re	Ohm	5.7
Mechanical Q factor	Qms		5.8
Electrical Q factor	Qes		0.27
Total Quality factor	Qts		0.26
Equivalent volume	Vas	L	58
Moving mass	Mms	kg	0.069
Mechanical compliance	Cms	mm/N	0.170
BL factor	BL	Tesla m	20.6
Effective piston area	Sd	m ²	0.0487
Max. linear excursion	Xmax	mm	± 5.5
SPECIFICATIONS HIGH FREQUENCY			
Power handling AES	W	80	
Peak Power	W	450	
Sensitivity (1W/1m)	dB	113	
Frequency range	Hz	600 - 20000	
Recommended crossover	Hz	1300	
Voice coil diameter	mm	44.4 (1.75")	
Magnet material		Neodymium	
Flux density	T	2.2	
Voice coil material	Copper Clad Aluminum		
	(2 layers in- and outside of the VC)		
Voice coil former		Kapton™	
Diaphragm material		Polyester	



Frequency response measured 1W (2.83V) at 1m in a closed enclosure of 50 litre.



MOUNTING INFORMATION

Overall diameter	mm	318
Mounting holes diameter	mm	8 x (7 x 8)
Bolt circle diameter	mm	300
Baffle cut-out diameter	mm	193
Overall depth	mm	284
Net weight	kg	5.1

Recommended reflex enclosure:

24L/57Hz, BRD=90mm/153mm long