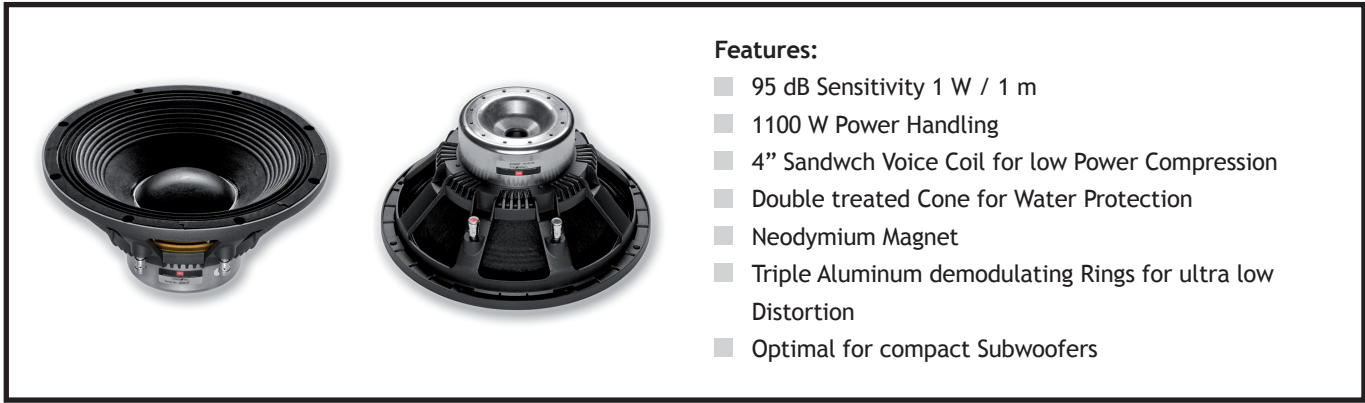


# 12N804

## 12" Neodymium ultra low Distortion Woofer

# Neodymium series

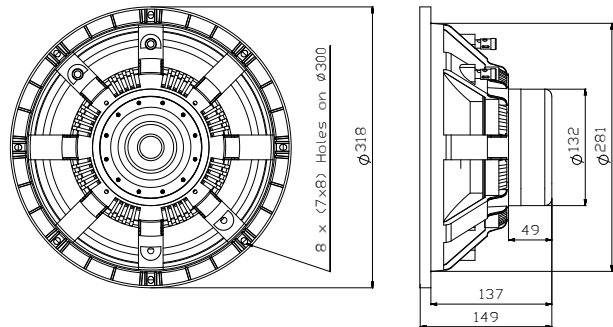


### Features:

- 95 dB Sensitivity 1 W / 1 m
- 1100 W Power Handling
- 4" Sandwich Voice Coil for low Power Compression
- Double treated Cone for Water Protection
- Neodymium Magnet
- Triple Aluminum demodulating Rings for ultra low Distortion
- Optimal for compact Subwoofers

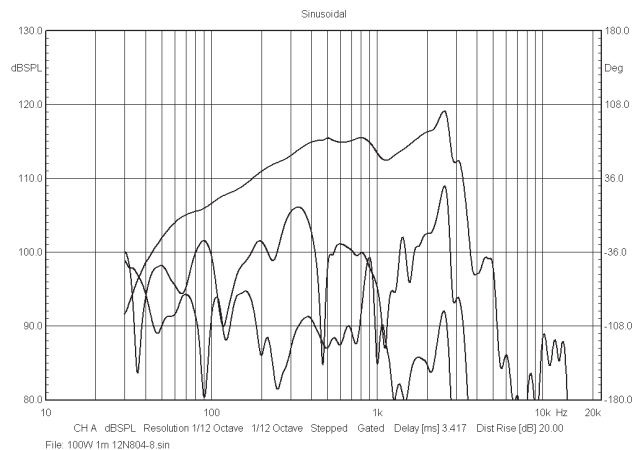
## SPECIFICATIONS

APPLICATION	Low-middle	
Nominal Impedance:	Ohm	4 or 8
Power handling AES noise:	W	1100
Sensitivity (1 W / 1 m):	dB	95
Frequency response:	Hz	40 - 1700
Voice Coil Diameter:	mm	101.6 (4")
Voice Coil Material:	Cu	
Voice Coil Winding Depth:	mm	26
Magnet Gap Depth:	mm	10
Basket:		Cast Aluminum
Effect. diaphragm diameter D:	mm	260



Frequency response measured 100W (28.3V) at 1 m in a closed enclosure of 50 litre in an anechoic chamber incl. 2nd and 3rd harmonic distortion raised 20 dB

THIELE-SMALL PARAMETERS			
Resonance Frequency:	Fs	Hz	39
DC Resistance:	Re	Ohm	5.7
Mechanical Q Factor:	Qms		4.6
Electrical Q Factor:	Qes		0.31
Total Quality Factor:	Qts		0.29
Equivalent Volume:	Vas	L	71
Moving Mass:	Mms	kg	0.092
Mechanical Compliance:	Cms	mm / N	0.18
BL Factor:	BL	Tesla m	20.4
Effective Piston Area:	Sd	m <sup>2</sup>	0.0531
Max. linear Excursion:	Xmax	mm	+/- 8
Voice Coil Inductance:	Le1k	mH	0.66
	Le10k	mH	0.44



MOUNTING INFORMATION		
Overall Diameter:	mm	318
Mounting Holes Diameter:	mm	8 x (7 x 8)
Bolt Circle Diameter:	mm	300
Baffle cut-out Diameter:	mm	283
Overall depth:	mm	151
Net Weight:	vkg	5.1

