

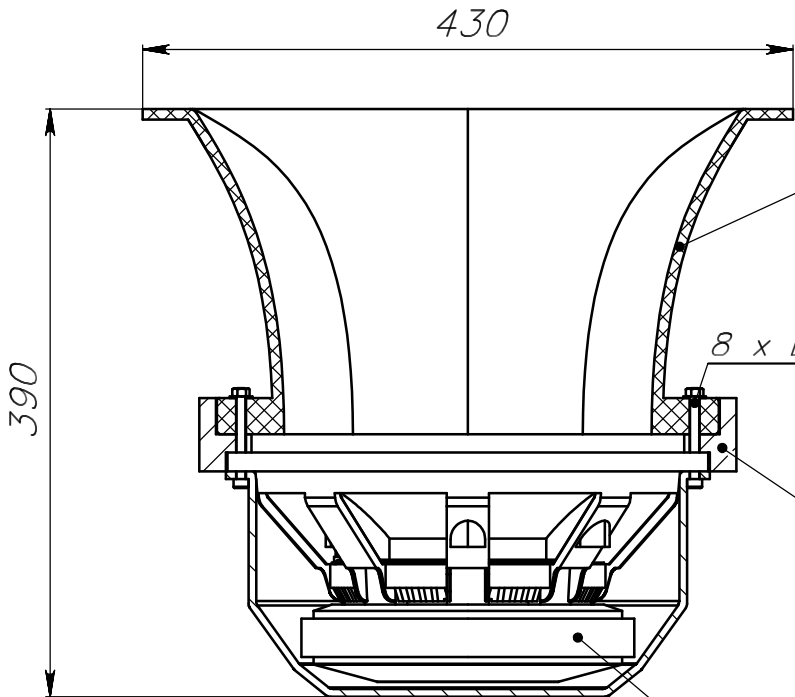
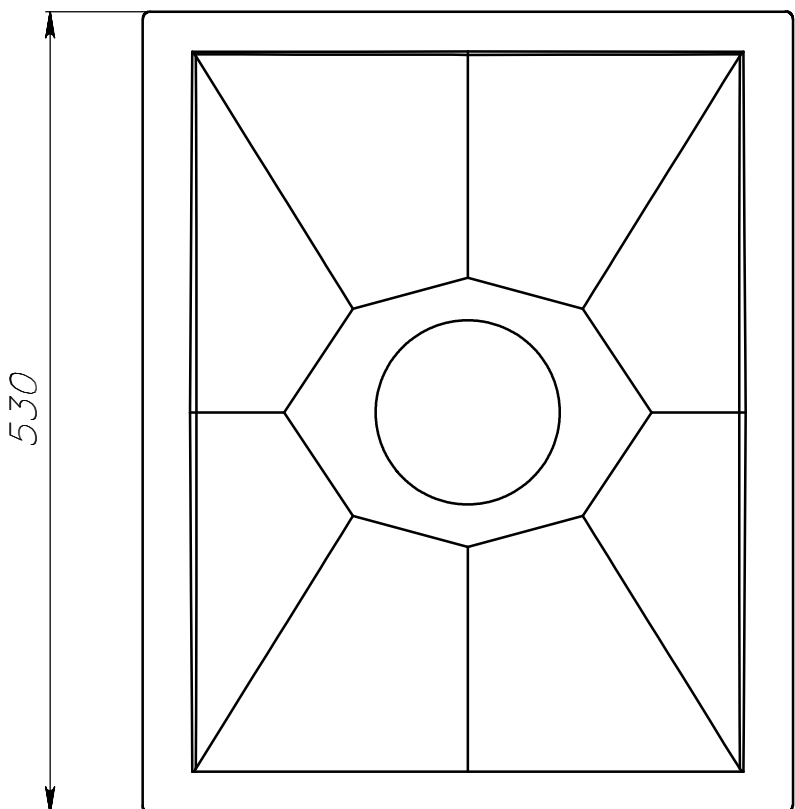
A

B

C

D

E



UNLESS OTHERWISE SPECIFIED:  
 DIMENSIONS ARE IN MILLIMETERS  
 SURFACE FINISH:  
 TOLERANCES:  
 LINEAR:  
 ANGULAR:

FINISH:  
  
 DEBUR AND  
 BREAK SHARP  
 EDGES

DO NOT SCALE DRAWING      REVISION

	NAME	SIGNATURE	DATE		
DRAWN					
CHKD					
APPV'D					
F MFG					
Q.A				MATERIAL:	
				WEIGHT:	

TITLE:		<h1>2012</h1>	
DWG NO.		A4	
SCALE: 1:5		SHEET 1 OF 1	