


# 4545ND

## 1" High Frequency Neodymium Compression Driver

# 1" Neo Compression Drivers





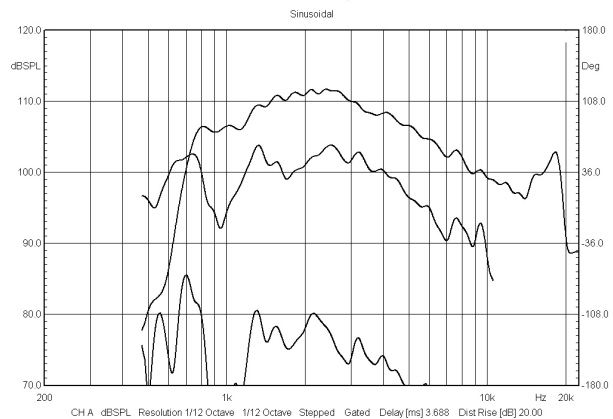
**Features:**

- Unique Patented Design
- Cost effective, high efficiency Neodymium Magnet Assembly
- 113 dB Sensitivity 1 W / 1 m
- 1.2kHz Crossover
- Extended high frequency response up to 20 kHz
- Very small Size and low Weight
- 44.4 mm Sandwich in- and outside Voice Coil
- 8 or 16 Ohm

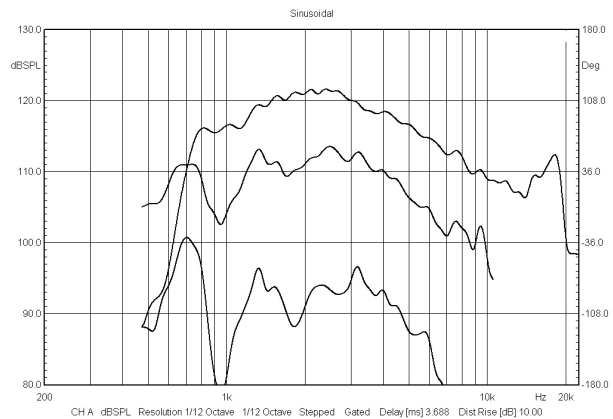
BMS 4545ND is a powerful 1" professional compression driver that delivers superb sonic quality in a very small package. The unique BMS annular diaphragm together with the cost effective, high energy Neodymium magnet assembly offers an economical solution for a wide variety of high level professional reinforcement system applications.

BMS 4545ND achieves very high sensitivity and linear frequency response up to 20 kHz. The sound of BMS4545ND is extremely transparent and detailed, it has an exceptional dynamic range and produces even the most complex music signals with depth and definition.

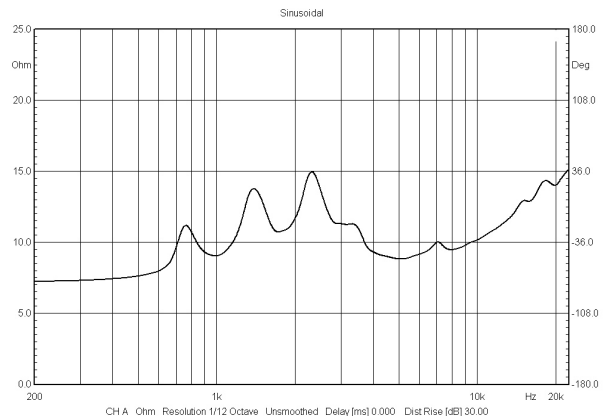
BMS 4545ND-8, 90°x75° horn, 2nd + 3rd harmonic raised 20 dB, SPL 1W / 1m



BMS 4545ND-8, 90°x75° horn, 2nd + 3rd harmonic raised 10 dB, SPL 10W / 1m



BMS 4545ND-8, 90°x75° horn, Impedance



## SPECIFICATIONS

Throat diameter:	1" (25.4 mm)	
Nominal impedance	8 or 16 Ohm	
Power capacity (AES):	80 W	
Peak Power:	450 W	
Sensitivity		
CD Horn 90° x 75°, 1 W / 1 m:	113 dB	
Plane Wave Tube, 1 mW:	118 dB	
Max. SPL (cont.):	132 dB at 80 W	
Frequency Range:	500 - 20000 Hz	
Recommended Crossover:	1900 Hz	
Voice Coil Diameter:	1.75" (44.4 mm)	
Magnet Material:	Neodymium	
Flux Density (Tesla):	2.2	
Voice Coil Material:	Copper Clad Aluminum	
Voice Coil Former:	Kapton TM	
Diaphragm Material:	Polyester	
Mounting information		
Overall Diameter:	mm	84 (+/- 0.1 mm)
Depth:	mm	48
Net Weight:	kg	0.56
1 3/8" - 18N Screw		