

6N160

Neodymium ultra low Distortion low Midrange Driver

Neodymium Series

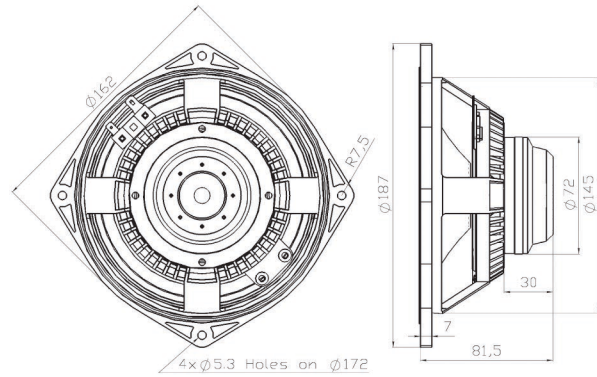


Features:

- 93 dB Sensitivity 1 W/1 m
- 130 W Power Handling
- 1.5" Sandwich Voice Coil
- Double treated Cone for Water Protection
- Neodymium Magnet System
- Twin Aluminum demodulating Rings for ultra low Distortion
- Optimal for compact 2- or 3-way Systems

SPECIFICATIONS

APPLICATION		
Nominal Impedance	Ohm	16
Power handling AES noise	W	130
Sensitivity (1 W / 1 m)	dB	93
Frequency response	Hz	80 - 3500
Voice coil diameter	mm	38 (1.5")
Voice coil material		Cu
Voice coil winding depth	mm	15
Magnet Gap Depth	mm	5
Basket		Cast Aluminum
Effect. diaphragm diameter D	mm	135



THIELE-SMALL PARAMETERS			
Resonance frequency	Fs	Hz	89
DC resistance	Re	Ohm	11.4
Mechanical Q factor	Qms		2.4
Electrical Q factor	Qes		0.58
Total Quality factor	Qts		0.47
Equivalent volume	Vas	L	7.7
Moving Mass	Mms	kg	0.0117
Mechanical compl.	Cms	mm ⁴ / N	0.27
BL factor	BL	Tesla m	11.3
Effective piston area	Sd	m ²	0.0143
Max. linear excursion	Xmax	mm	+/- 5
Voice coil inductance	Le1k	mH	0.53
	Le10k	mH	0.37

Frequency response measured 100 W (28.3 V) at 1 m in a vented enclosure of 25 liter incl. 2nd and 3rd harmonic distortion raised 10 dB.

MOUNTING INFORMATION		
Overall diameter	mm	162
Mounting holes diameter	mm	4 x 5.3
Bolt circle diameter	mm	172
Baffle cut-out diameter	mm	146
Overall depth	mm	80.5
Net weight	kg	0.905

Recommended reflex enclosure:

- 6 L / 82 Hz, BRD = 60 mm / 144 mm long
- 8.5 L / 72 Hz, BRD = 60 mm / 128 mm long
- 10 L / 70 Hz, BRD = 60 mm / 111 mm long

