

UNLESS OTHERWISE STATED: DIMENSIONS IN MILLIMETRES; REMOVE BURRS AND SHARP EDGES; ALL CASTINGS AND MOULDINGS TO BE FREE FROM SINKS AND BLEMISHES. DO NOT SCALE DRAWING

|   |   |   |   |   |   |   |   |
|---|---|---|---|---|---|---|---|
| 1 | 2 | 3 | 4 | 5 | 6 | 7 | 8 |
|---|---|---|---|---|---|---|---|

A

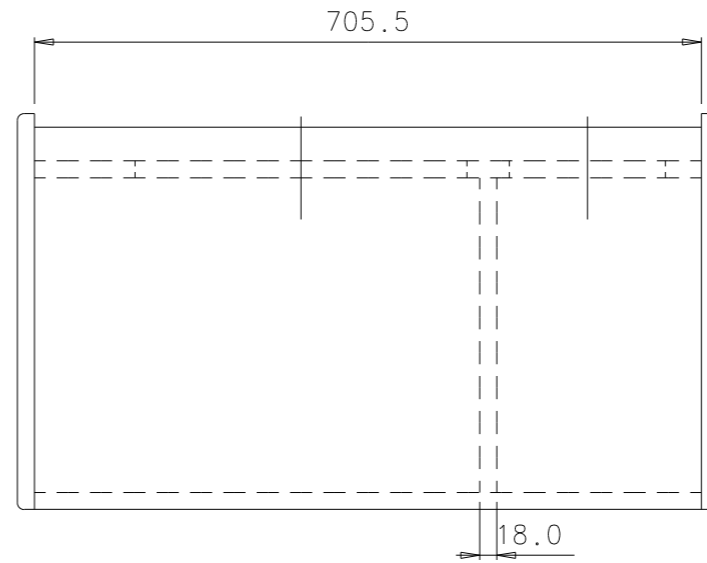
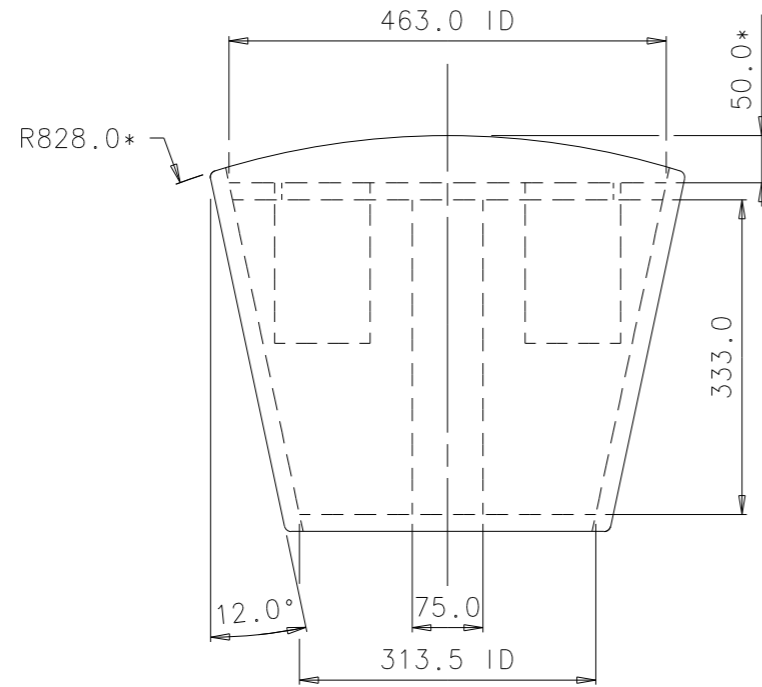
B

C

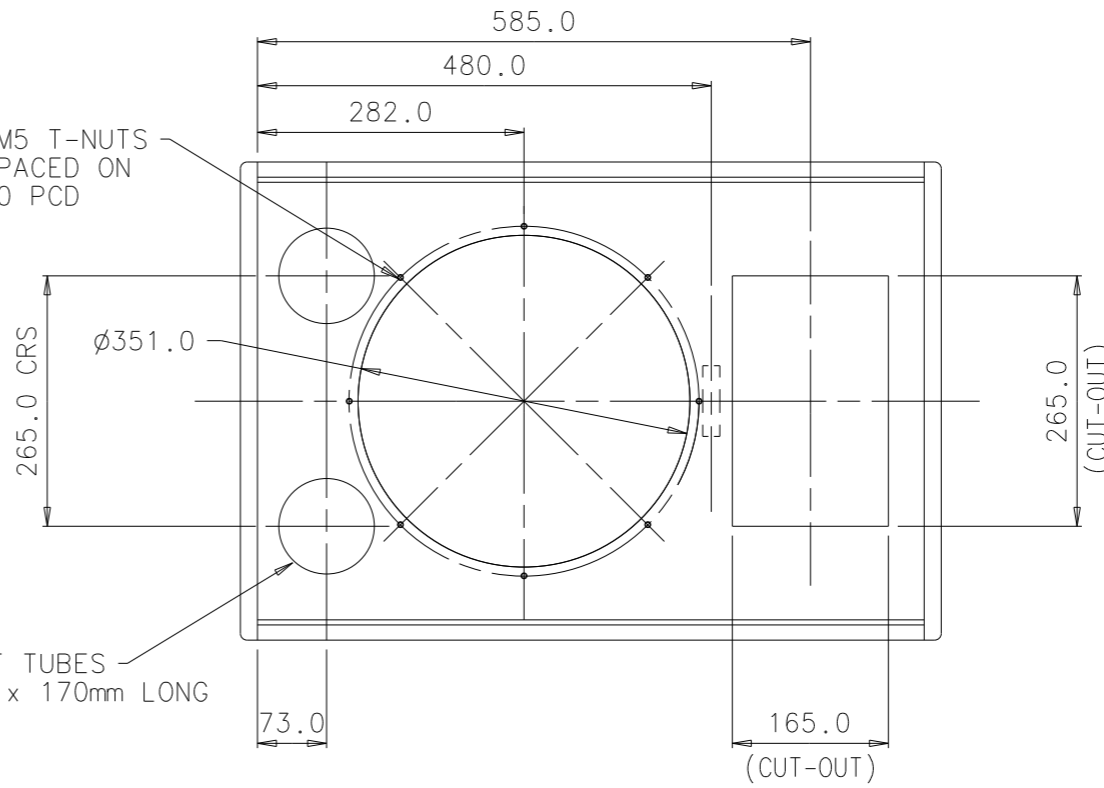
D

E

F



8 OFF M5 T-NUTS  
EQUI-SPACED ON  
A 370.0 PCD



NOTES

\* DENOTES DIMENSIONS TO MANUFACTURERS DESIGN

CABINET MATERIAL - 18mm MDF/ 15mm OR 18mm MULTI-LAYER BIRCH PLYWOOD FOR FIXED INSULATION  
15mm OR 18mm MULTI-LAYER BIRCH PLYWOOD FOR PORTABLE APPLICATION

CABINET CONSTRUCTION - JOINTS MUST BE AIRTIGHT AND BE SECURELY  
GLUED & SCREWED TO AVOID UNWANTED VIBRATION.

ACOUSTIC WADDING - COVER THE TOP/BOTTOM/SIDES & REAR PANELS WITH  
ACOUSTIC WADDING, ENSURE THAT THE WADDING DOES  
NOT COVER PORT TUBES

DRIVE UNIT FIXING - T NUTS AND FIXING BOLTS ARE RECOMMENDED. USE A  
SUITABLE GASKET BETWEEN THE DRIVE UNIT & CABINET  
TO PREVENT AIR LEAKS

CELESTION LOUDSPEAKERS - LF = TF1525 PART No T5327  
HF = CDX1-1425 PART No T5344  
HORN = H1-9040P PART No T5359

GENERAL TOLERANCE:

X.XX ±  
X.X ± 2  
X ±

ANGLES ± °

METRIC THREADS TO BS3643  
FIT 6g TO 6H

MATERIAL:

FINISH:

SIMILAR TO:

DRAWN

DATE

CHECKED

APPROVED

J.MOTT

10/09/03

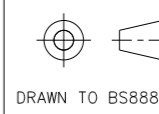
PC

IW

TITLE

SCALE

AT A3 1:8



DRAWN TO BS8888

15" KIT

SHEET 1 OF 2

DRG. No.

GA880

|       |               |          |                  |      |
|-------|---------------|----------|------------------|------|
|       |               |          |                  |      |
| A     | I-9930        | 10/09/03 | ISSUED           |      |
| ISSUE | CHANGE NUMBER | DATE     | REVISION DETAILS | ZONE |



GP ACOUSTICS (UK) LTD.  
FOXHALL ROAD, IPSWICH, SUFFOLK, IP3 8JP, ENGLAND.  
TEL: +44 (0) 1473 322222 FAX: +44 (0) 1473 729662  
WEB SITE: www.celestion.com

UNLESS OTHERWISE STATED: DIMENSIONS IN MILLIMETRES; REMOVE BURRS AND SHARP EDGES; ALL CASTINGS AND MOULDINGS TO BE FREE FROM SINKS AND BLEMISHES. DO NOT SCALE DRAWING

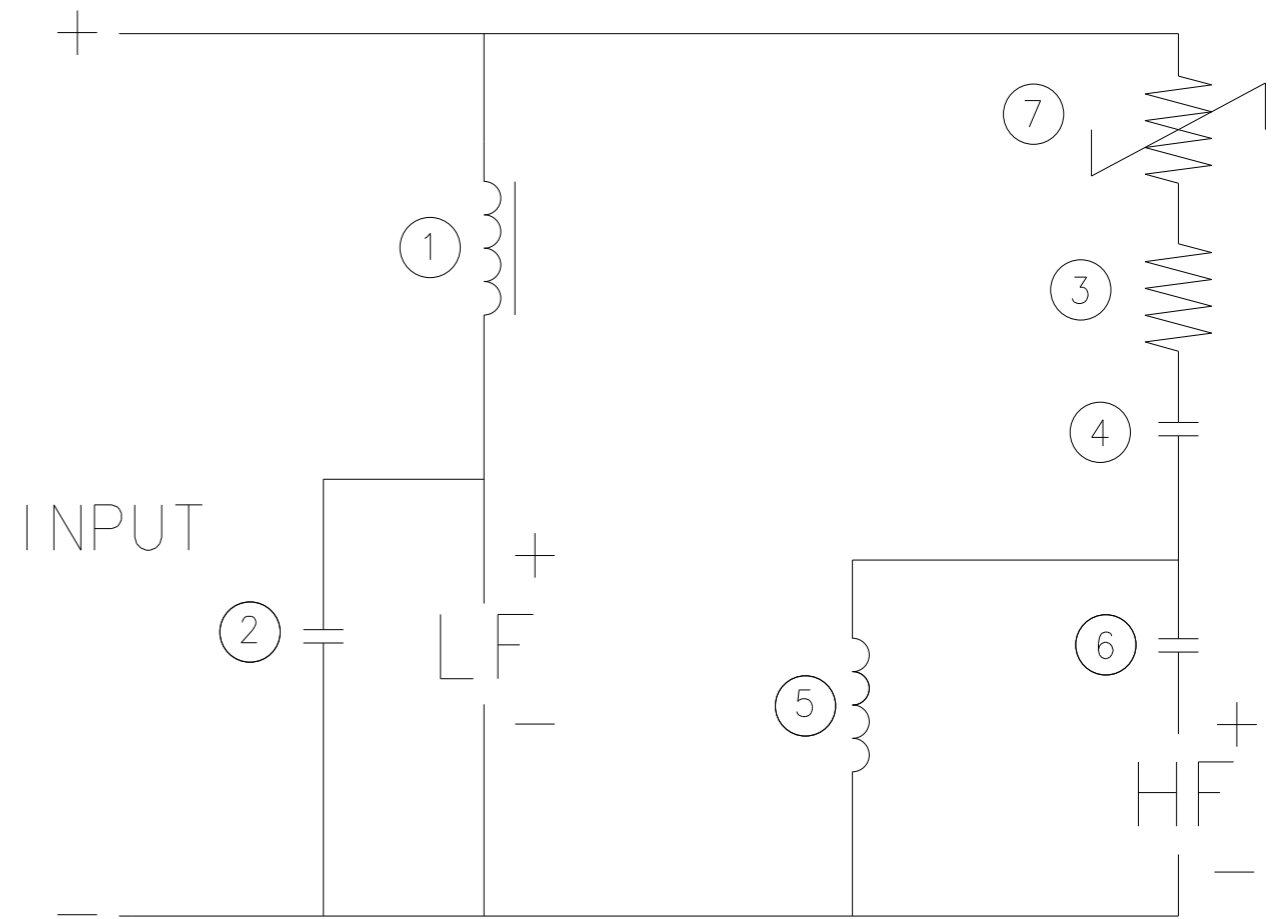
|  |   |   |   |   |   |   |   |   |
|--|---|---|---|---|---|---|---|---|
|  | 1 | 2 | 3 | 4 | 5 | 6 | 7 | 8 |
|--|---|---|---|---|---|---|---|---|

A  
B  
C  
D  
E  
F

COMPONENTS:

1. INDUCTOR:-  
INDUCTANCE - 1.6mH±5%  
DC RESISTANCE - <0.3Ω
2. CAPACITOR:- POLYPROPYLENE/POLYESTER  
CAPACITANCE - 10μF±5%  
VOLTAGE RATING - >100V
3. RESISTOR:- CERAMIC WIRE WOUND  
RESISTANCE - 10Ω±5%  
POWER RATING - 25W
4. CAPACITOR:- POLYPROPYLENE/POLYESTER  
CAPACITANCE - 3μF±5%  
VOLTAGE RATING - 250V
5. INDUCTOR:-  
INDUCTANCE - 0.16mH±5%  
DC RESISTANCE - <0.5Ω
6. CAPACITOR:- POLYPROPYLENE/POLYESTER  
CAPACITANCE - 8μF±5%  
VOLTAGE RATING - >100V
7. POLYSWITCH (OPTIONAL):- RAYCHEM RXE110, 60V, 40A MAX,  
1.10A HOLD, 2.20A TRIP

CIRCUIT DIAGRAM



|               |               |      |                  |      |
|---------------|---------------|------|------------------|------|
| SEE SHEET ONE |               |      |                  |      |
| ISSUE         | CHANGE NUMBER | DATE | REVISION DETAILS | ZONE |

GENERAL TOLERANCE:

X.XX ±

X.X ±

X ±

ANGLES ± °

METRIC THREADS TO BS3643  
FIT 6g TO 6H

MATERIAL:

FINISH:

SIMILAR TO:



GP ACOUSTICS (UK) LTD.  
FOXHALL ROAD, IPSWICH, SUFFOLK, IP3 8JP, ENGLAND.  
TEL: +44 (0) 1473 322222 FAX: +44 (0) 1473 729662  
WEB SITE: www.celestion.com

DRAWN

DATE

CHECKED

APPROVED

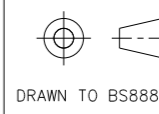
J.MOTT

10/09/03

TITLE

SCALE

AT A3 1:1



DRAWN TO BS8888

15" KIT

SHEET 2 OF 2

DRG. No.

GA880