

12NW530

Extended Low Frequency Neo Transducer

Key Features

- 96 dB SPL 1W / 1m average sensitivity
- 75 mm (3 in) ISV voice coil
- 500 W AES power handling
- External neodymium magnet assembly
- Double Silicon Spider (DSS) for improved excursion control and linearity
- Single Demodulating Ring (SDR) for lower distortion
- High excursion damped rubber roll surround
- Specific for compact subwoofer usage



General Description

The 12NW530 low frequency neodymium transducer has been specifically developed for high power, low distortion, very compact subwoofer applications.

The transducer finds its main application on compact vented subwoofers as small as 40 liters.

The neodymium magnet assembly developed by Eighteen Sound engineers assures high flux concentration, low power compression and excellent heat exchange, since the external magnet configuration is considerably more efficient than traditional under-pole magnet topology. This results in high levels of force factor and power handling with an optimum power to weight ratio.

A state-of-the-art Interleaved Sandwich Voice coil (ISV) copper wire voice coil provides high levels of thermal stability and durability.

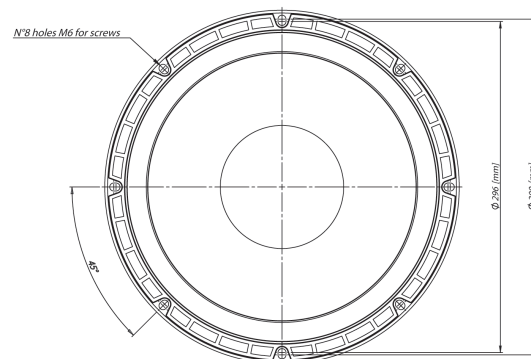
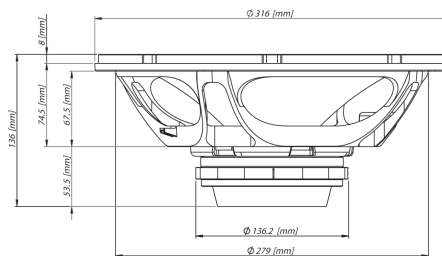
The transducer incorporates Eighteen Sound DSS technology (Double Silicon Spider), in combination with a single roll highly damped surround, that has been designed to provide symmetric large signal behaviour throughout the whole working range, providing low harmonic distortion at different excitation levels.

The already low distortion and sound quality are further improved by properly positioned Single Demodulating Ring (SDR), that flattens impedance and phase curves helping a constant power transfer from the amplifier.

The deep profile curvilinear cone, created from a special high strength wood pulp, has been designed to achieve the best possible linearity. The humidity repellent cone treatment significantly dampens bell mode resonances.

A special coating applied to both the top and back plates makes the 12NW530 far more resistant to the corrosive effects of salts and oxidization.

022128N530 8ohm



NEODYMIUM LF-MB-MF TRANSDUCERS

12NW530

Extended Low Frequency Neo Transducer

GENERAL SPECIFICATIONS

NOMINAL DIAMETER	300mm (12 in)
RATED IMPEDANCE	8 Ohm
AES POWER	500W
PROGRAM POWER (1)	800W
PEAK POWER (2)	1600W
SENSITIVITY (3)	96dB
FREQUENCY RANGE (4)	48 ÷ 3200 Hz
POWER COMPRESSION @-10DB (5)	0,9 dB
POWER COMPRESSION @-3DB	2,0 dB
POWER COMPRESSION @FULL POWER	3,1 dB
MAX RECOMM. FREQUENCY	1300 Hz
RECOMM. ENCLOSURE VOLUME	30 ÷ 80 lt. (1,06 ÷ 2,83 cuft)
MINIMUM IMPEDANCE	6,30hm @ 25°C
MAX PEAK TO PEAK EXCURSION	30 mm (1,2 in)
VOICE COIL DIAMETER	75 mm (3 in)
VOICE COIL WINDING MATERIAL	copper
SUSPENSION	Single Roll, Rubber
CONE	Curvilinear, Treated paper

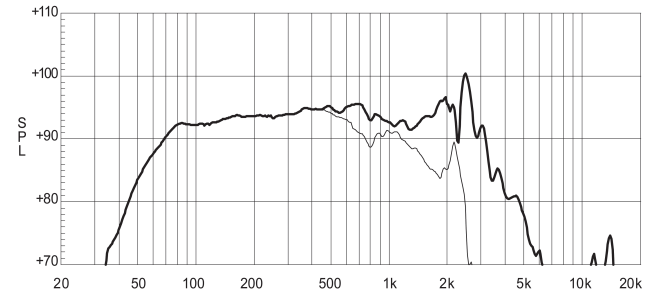
THIELE SMALL PARAMETERS (6)

Fs	55 Hz
Re	4,9 Ohm
Sd	0,053 sq.mt. (82,31 sq. in.)
Qms	9,7
Qes	0,384
Qts	0,37
Vas	36 lt. (1,27 cuft)
Mms	93 gr. (0,2 lb)
BL	19,7 Tm
Linear Mathematical Xmax (7)	± 8 mm (± 0,31 in)
Le (1kHz)	0,9 mH
Ref. Efficiency 1W@1m (half space)	93,8 dB

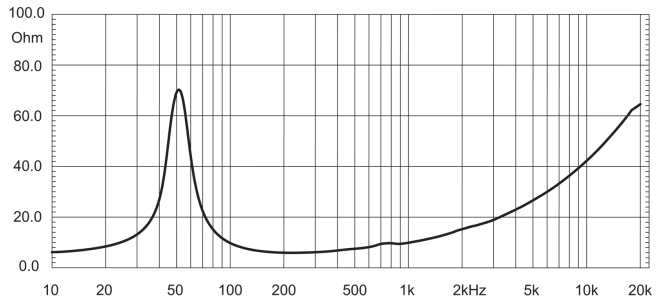
MOUNTING INFORMATION

Overall diameter	315 mm (12,4 in)
N. of mounting holes	8
Mounting holes diameter	7,15 mm (0,28 in)
Bolt circle diameter	296-300 mm (11,65-11,8 in)
Front mount baffle cutout ø	282 mm (11,1 in)
Rear mount baffle cutout ø	282 mm (11,1 in)
Total depth	136 mm (5,35 in)
Flange and gasket thickness	11,5 mm (0,45 in)
Net weight	4,0 kg (8,8 lb)
Shipping weight	4,8 kg (10,6 lb)
CardBoard Packaging dimensions	332 x 332 x 184 mm (13,1 x 13,1 x 7,25 in)

FREQUENCY RESPONSE CURVE OF 12NW530 MADE ON 50 LIT. ENCLOSURE TUNED @ 60Hz IN FREE FIELD (4PI) ENVIRONMENT. ENCLOSURE CLOSES THE REAR OF THE DRIVER. THE THIN LINE REPRESENTS THE 45 DEG. OFF AXIS FREQUENCY RESPONSE.



FREE AIR IMPEDANCE MAGNITUDE CURVE.



NOTES

- (1) Program power rating is measured in 50 lit enclosure tuned @ 60Hz using a 40 - 400Hz band limited pink noise test signal with 50% duty cycle, applied continuously for 2 hours.
- (2) The peak power rating represents the maximum permitted instantaneous peak power level over a maximum period of 10ms which will be withstood by the loudspeaker without damage.
- (3) Sensitivity represents the averaged value of acoustic output as measured on the forward central axis of cone, at a distance of 1m from the baffle panel, when connected to 2,83V sine wave test signal swept between 100Hz and 500Hz with the test specimen mounted in the same enclosure as given for (1) above.
- (4) Frequency range is given as the band of frequencies delineated by the lower and upper limits where the output level drops by 10 dB below the rated sensitivity in half space environment.
- (5) Power compression represents the loss of sensitivity for the specified power, measured from 50-500 Hz, after a 5 min pink noise preconditioning test at the specified power.
- (6) Thiele - Small parameters are measured after the test specimen has been conditioned by 500 W AES power and represent the expected long term parameters after a short period of use.
- (7) Linear Math. Xmax is calculated as: $(Hvc-Hg)/2 + Hg/4$ where Hvc is the coil depth and Hg is the gap depth.

Eighteen Sound engages in research and product improvement. New materials and design refinements can be introduced into existing products without notice.