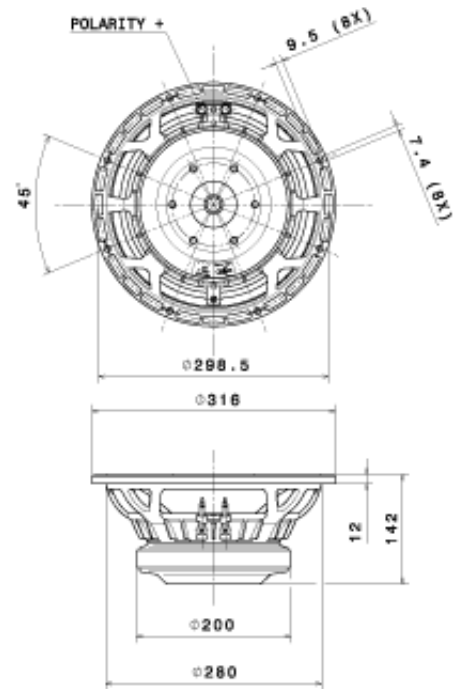




12HP1010 High Performance Series



NOMINAL SPECIFICATIONS

Nominal Diameter	300 mm (12 in)
Overall Diameter	316 mm (12.44 in)
Bolt Circle Diameter	298.5 mm (11.75 in)
Baffle Cutout Diameter	282 mm (11.10 in)
Depth	142 mm (5.59 in)
Flange and Gasket Thickness	12 mm (0.47 in)
Net Weight	9.22 Kg (20.33 lb)
Shipping Box (Single Carton Box)	350x346x190 mm (13.78x13.62x7.48 in)
Shipping Weight	9.5 Kg (20.94 lb)

ELECTRICAL SPECIFICATION

Nominal Impedance	8 Ohm
Minimum Impedance	7 Ohm
AES Power Handling *	700 W
Maximum Power Handling **	1400 W
Sensitivity (1W/1m)	96 dB
Frequency Range	45÷3150 Hz
Voice Coil Diameter	100 mm (4 in)
Winding Material	Al
Former Material	Glass Fiber
Winding Depth	22 mm (0.87 in)
Magnetic Gap Depth	10.5 mm (0.41 in)
Flux Density	1.05 T
Magnet	Ferrite Ring
Demodulation	No
Suspension ***	M-Roll

THIELE & SMALL PARAMETERS

Fs	45 Hz
Re	5.5 Ohm
Qes	0.35
Qms	9.4
Qts	0.33
Vas	50 dm ³ (1.77 ft ³)
Sd	496 cm ² (76.9 in ²)
Xmax ****	9.75 mm
Xdamage *****	21.9 mm
Mms	87.2 g
Bl	19.8 N/A
Le	1.33 mH
Mmd	80.5 g
Cms	0.14 mm/N
Rms	2.62 Kg/s
Eta Zero	1.28 %
EBP	128 Hz

NOTES

Spider Profile: 2x non-adjacent symmetrical constant height waves

(*) 2 Hours Test According to AES 2-1984 Rev. 2003

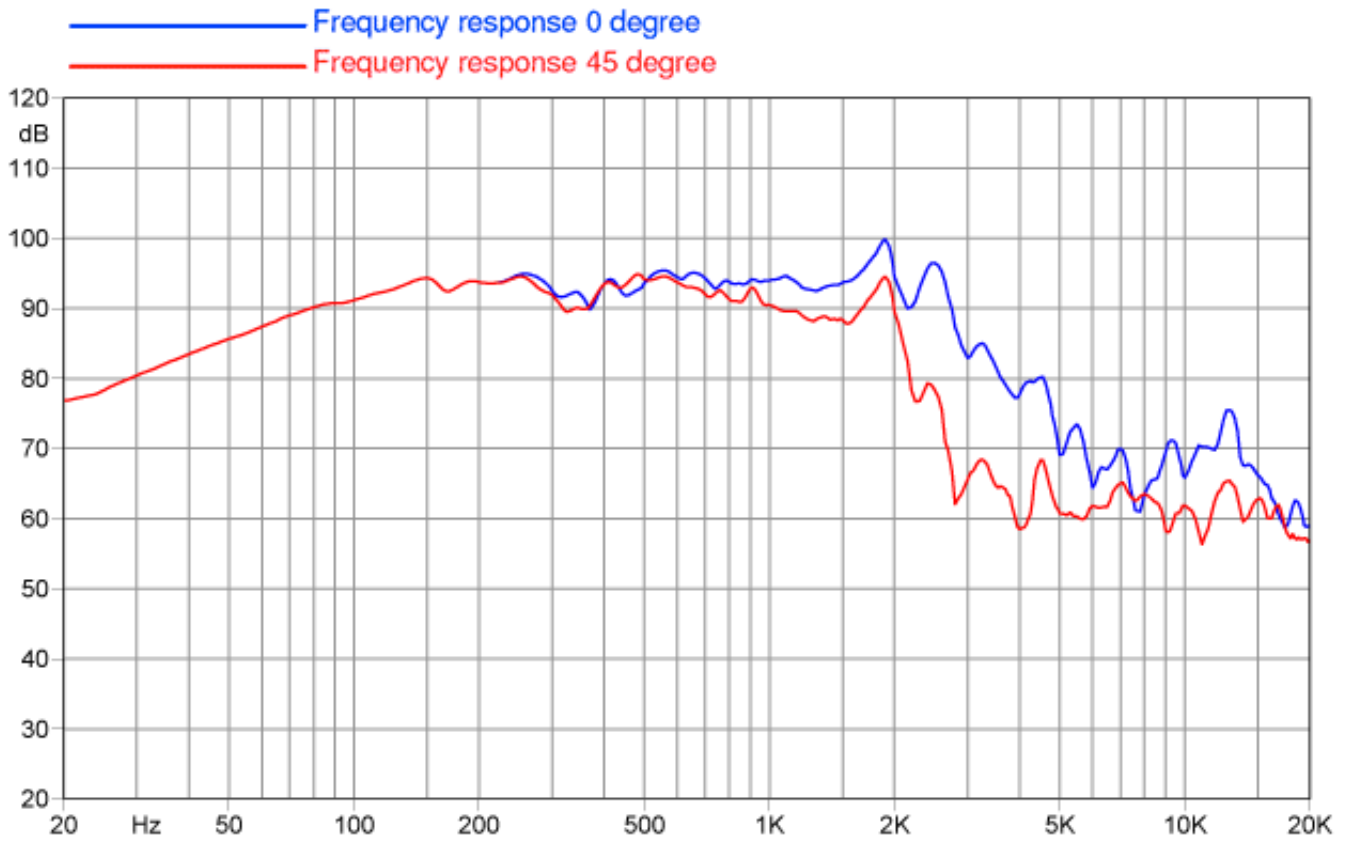
(**) Maximum power is defined as 3dB greater than nominal power.

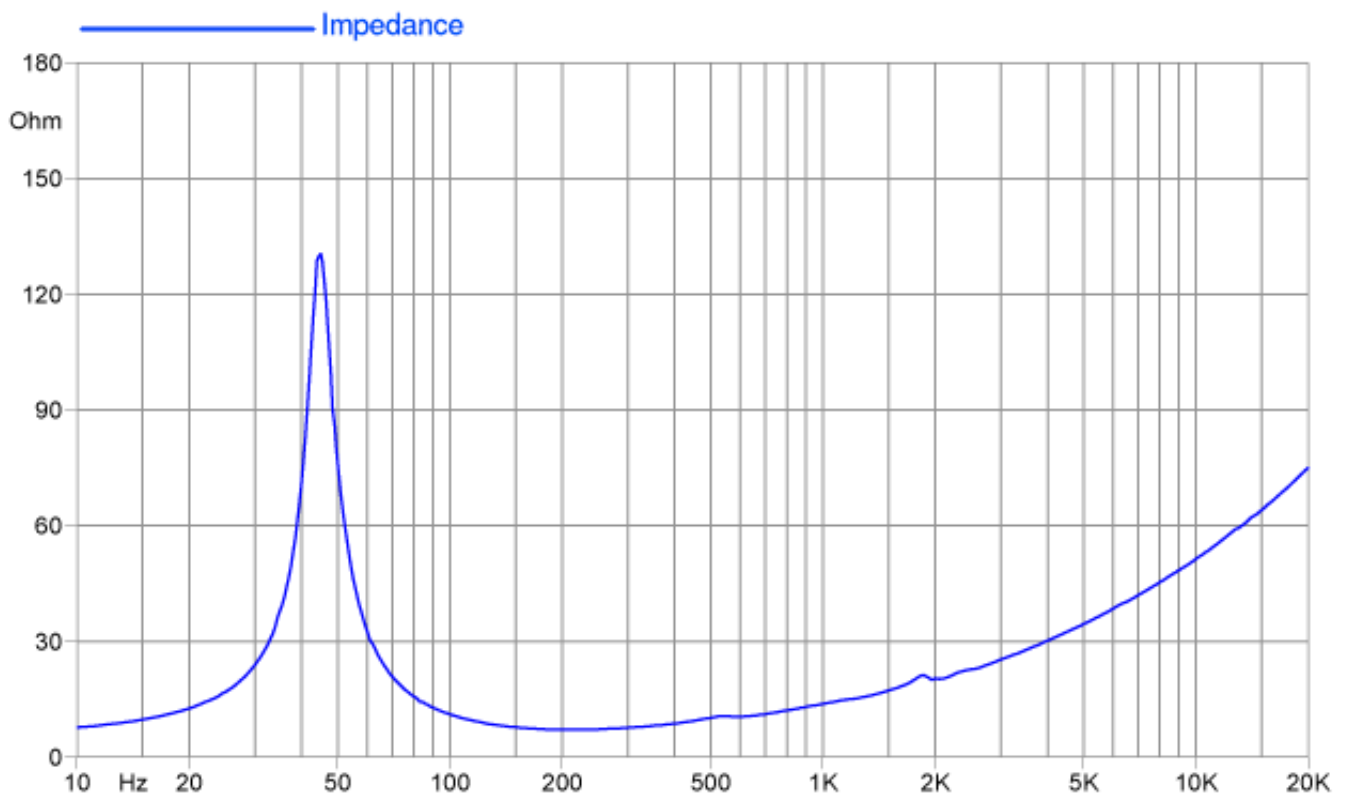
(***) Treated Polycotton

(****) $X_{max} = [(winding\ depth - magnetic\ gap\ depth) / 2] + (magnetic\ gap\ depth / 3)$

(*****) Maximum excursion before permanent damage

CURVES





©Copyright 2012 - Faital S.p.A. Fabbrica Italiana Altoparlanti - All right reserved.