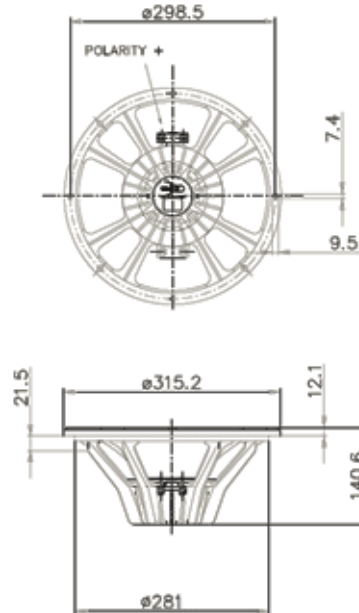




# 12PR300 Professional Series



## NOMINAL SPECIFICATIONS

Nominal Diameter	300 mm (12 in)
Overall Diameter	315.2 mm (12.4 in)
Bolt Circle Diameter	298.5 mm (11.75 in)
Baffle Cutout Diameter	283 mm (11.14 in)
Depth	140.6 mm (5.54 in)
Flange and Gasket Thickness	12.1 mm (0.48 in)
Net Weight	2.4 Kg (5.3 lb)
Shipping Box (Single Carton Box)	350x350x200 mm (13.8x13.8x7.9 in)
Shipping Weight	3 Kg (6.6 lb)

## ELECTRICAL SPECIFICATION

Nominal Impedance	8 Ohm
Minimum Impedance	6.2 Ohm
Nominal Power Handling *	300 W
Maximum Power Handling **	600 W
Sensitivity (1W/1m)	99 dB
Frequency Range	50÷5000 Hz
Voice Coil Diameter	65 mm (2.5 in)
Winding Material	Al
Former Material	Glass Fiber
Winding Depth	12.5 mm (0.49 in)
Magnetic Gap Depth	8 mm (0.31 in)
Flux Density	1.2 T

## THIELE & SMALL PARAMETERS

Fs	54 Hz
Re	5.4 Ohm
Qes	0.41
Qms	5.61
Qts	0.39
Vas	73.5 dm <sup>3</sup> (2.59 ft <sup>3</sup> )
Sd	526 cm <sup>2</sup> (81.5 in <sup>2</sup> )
Xmax ***	4.92 mm
Xdamage ****	14 mm
Mms	43.4 g
Bl	14.1 N/A
Le	0.42 mH
Mmd	36.6 g
Cms	0.19 mm/N
Rms	2.71 Kg/s
Eta Zero	2.96 %
EBP	131 Hz

## NOTES

(\* ) 2 Hours Test According to AES 2-1984 Rev. 2003

(\*\* ) Maximum power is defined as 3dB greater than nominal power.

(\*\*\* )  $X_{max} = [(winding\ depth - magnetic\ gap\ depth) / 2] + (magnetic\ gap\ depth / 3)$

(\*\*\*\* ) Maximum excursion before permanent damage

# CURVES

---

