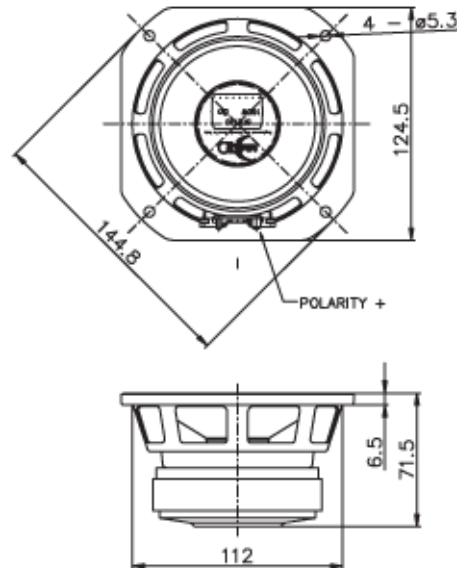




5FE120 Fe Series



NOMINAL SPECIFICATIONS

Nominal Diameter	130 mm (5 in)
Overall Diameter	144.8/124.5 mm (5.7/4.9 in)
Bolt Circle Diameter	133 mm (5.24 in)
Baffle Cutout Diameter	114 mm (4.49 in)
Depth	65 mm (2.56 in)
Flange and Gasket Thickness	6.5 mm (0.25 in)
Net Weight	1.13 Kg (2.48 lb)
Shipping Box (Single Carton Box - 8 units)	302x275x186 mm (11.88x10.82x7.3 in)
Shipping Weight (8 units)	10.2 Kg (22.44 lb)

ELECTRICAL SPECIFICATION

Nominal Impedance	8 Ohm
Minimum Impedance	6.2 Ohm
Nominal Power Handling *	80 W
Maximum Power Handling **	160 W
Sensitivity (1W/1m)	88 dB
Frequency Range	63-6300 Hz
Voice Coil Diameter	32 mm (1.26 in)
Winding Material	Cu
Former Material	Kapton
Winding Depth	12.5 mm (0.49 in)
Magnetic Gap Depth	6 mm (0.24 in)
Flux Density	1 T

THIELE & SMALL PARAMETERS

Fs	65 Hz
Re	5.4 Ohm
Qes	0.46
Qms	7.35
Qts	0.43
Vas	3.6 dm ³ (0.12 ft ³)
Sd	74.9 cm ² (11.6 in ²)
Xmax ***	5.25 mm
Xdamage ****	9.5 mm
Mms	11 g
Bl	6.9 N/A
Le	0.41 mH
Mmd	10.9 g
Cms	0.46 mm/N
Rms	0.7 Kg/s
Eta Zero	0.27 %
EBP	141 Hz

NOTES

Packaged and sold in multiples of 8 units

(*) 2 Hours Test According to AES 2-1984 Rev. 2003

(**) Maximum power is defined as 3dB greater than nominal power.

(***) Xmax = [(winding depth - magnetic gap depth) / 2] + (magnetic gap depth / 3)

(****) Maximum excursion before permanent damage

CURVES

