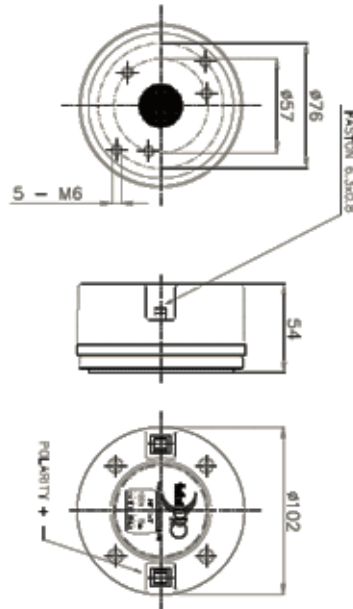




# HF10AK Compression Driver



## NOMINAL SPECIFICATIONS

Throat Diameter	25,4 mm (1 in)
Overall Diameter	102 mm (4.02 in)
180° Mounting Holes Diameter (2xM6)	76 mm (2.99 in)
120° Mounting Holes Diameter (3xM6)	57 mm (2.24 in)
Depth	54 mm (2.13 in)
Net Weight	1.4 Kg (3.09 lb)
Shipping Box	147x130x82 mm (5.79x5.12x3.23 in)
Shipping Weight	1.48 Kg (3.26 lb)

## TECHNICAL PARAMETERS

Nominal Impedance	8 ohm
Minimum Impedance	6.5 ohm
Nominal Power Handling *	60 W
Maximum Power Handling **	120 W
Minimum Crossover Frequency ***	1.3 kHz
Sensitivity (1W/1m) ****	110 dB
Frequency Range	0.8÷20 kHz
Voice Coil Diameter	44 mm (1.73 in)
Winding Material	Copper Clad Aluminium
Former Material	Kapton
Diaphragm Material	Ketone Polymer
Winding Depth	2.45 mm (0.10 in)
Magnetic Gap Depth	2.75 mm (0.11 in)
Flux Density	1.9 T
Re	5.8 ohm
Phase Plug Design	Annular

## NOTES

Driver mounted on a 1" 50° x 40° horn

(\*) Test made for 2 hours with Pink Noise signal (6 dB Crest Factor) from minimum crossover frequency. Power calculated on rated minimum impedance. Driver mounted on aluminium horn.

(\*\*) Maximum power is defined as 3dB greater than nominal power.

(\*\*\*) 12 dB/oct or higher slope high-pass filter

(\*\*\*\*) Averaged within the frequency range

# CURVES

---

