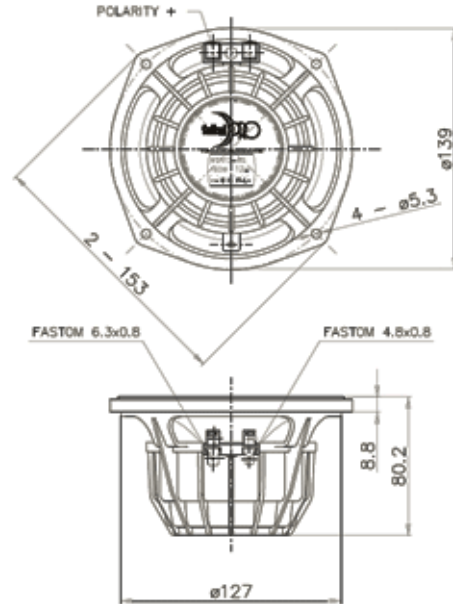




M5N12-80 Professional Series



NOMINAL SPECIFICATIONS

Nominal Diameter	130 mm (5 in)
Overall Diameter	153/140 mm (6.02/5.51 in)
Bolt Circle Diameter	139 mm (5.5 in)
Baffle Cutout Diameter	128 mm (5.04 in)
Depth	79 mm (3.1 in)
Flange and Gasket Thickness	7.5 mm (0.29 in)
Net Weight	0.9 Kg (2.1 lb)
Shipping Box (Single Carton Box)	170x170x138 mm (6.7x6.7x5.4 in)
Shipping Weight	1.1 Kg (2.4 lb)

ELECTRICAL SPECIFICATION

Nominal Impedance	12 Ohm
Minimum Impedance	8.8 Ohm
Nominal Power Handling *	80 W
Maximum Power Handling **	160 W
Sensitivity (1W/1m)	99 dB
Frequency Range	180-6300 Hz
Voice Coil Diameter	32 mm (1.26 in)
Winding Material	Cu
Former Material	Kapton
Winding Depth	7.5 mm (0.29 in)
Magnetic Gap Depth	6 mm (0.24 in)
Flux Density	1.65 T

THIELE & SMALL PARAMETERS

Fs	180 Hz
Re	7.2 Ohm
Qes	0.59
Qms	2.70
Qts	0.48
Vas	0.93 dm ³ (0.033 ft ³)
Sd	94.3 cm ² (14.6 in ²)
Xmax ***	2.75 mm
Xdamage ****	15.2 mm
Mms	8.4 g
Bl	11.3 N/A
Le	0.15 mH
Mmd	7.5 g
Cms	0.075 mm/N
Rms	3.93 Kg/s
Eta Zero	1.23 %
EBP	305 Hz

NOTES

(*) 2 Hours Test According to AES 2-1984 Rev. 2003

(**) Maximum power is defined as 3dB greater than nominal power.

(***) Xmax = [(winding depth - magnetic gap depth) / 2] + (magnetic gap depth / 3)

(****) Maximum excursion before permanent damage

CURVES

