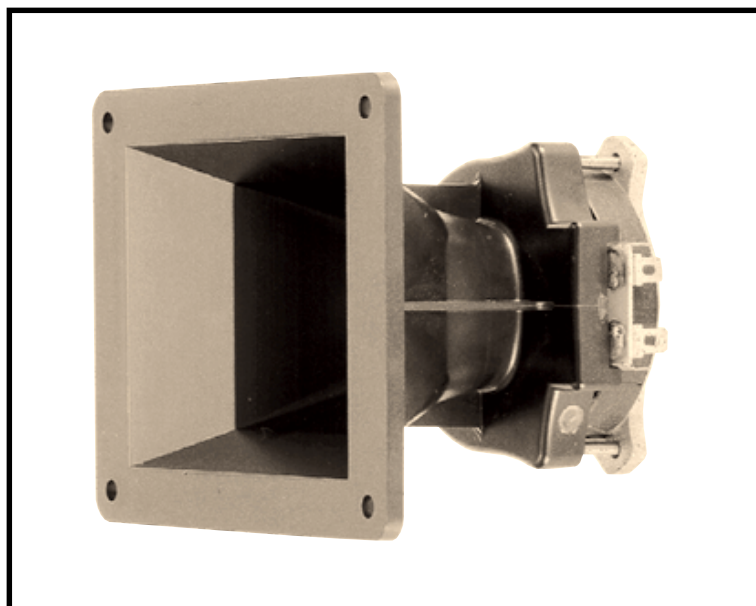




100HT

Features

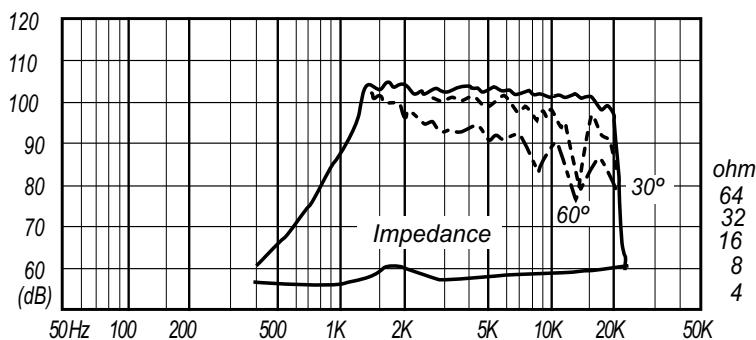
- ◆ Horn Tweeter
- ◆ 8 ohm impedance
- ◆ 2kHz to 20kHz frequency response
- ◆ 102dB sensitivity at 1W/1m (3.3ft)
- ◆ 0.99kg (2.183 lb) net weight



Specifications

Impedance	: 8 ohm
Reproduction Frequency Response	: 2kHz - 20kHz
S.P.L.	: 102dB/W (m)
Continuous Rated Power	: 100W
Cutoff Frequency	: 2.5kHz
Recommended Cross-over Frequency	: more than 5kHz
Magnet Weight	: 100g (0.220 lb)
Net Weight	: 990g (2.183 lb)

Frequency Response / Impedance



Dimensions & Mounting Information

