



FW168HS

Features

The FW168HS is the woofer unit having high stiffness diaphragm evolved through the fusion of the unique sophisticated pulp materials and Fostex original paper making technology.

Certain transduction of amplitude into air vibration, new FW168HS woofer reproduces superb low frequency sound with remarkable transient.

- * High stiffness diaphragm.
- * High input tolerance long voice coil.
- * $\varnothing 145\text{mm}$ large ferrite magnet.
- * Low current distortion magnetic circuit.
- * Adequate acoustic parameters.
- * Aluminum die-cast frame.

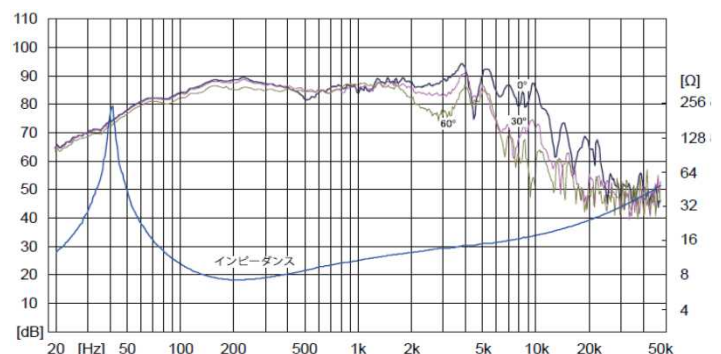


Specifications & Thiele/Small Parameters

Size	: 160mm / 6.5"
Voice Coil Diameter	: 50mm / 1.97"
Frame Material	: Aluminum diecast
Impedance	: 8 Ω
Reproduction Frequency Response	: fs to 10kHz
Sound Pressure Level	: 86 dB/W(m)
Rated Input	: 35W
Music Power	: 100W
Magnet Material	: Ferrite
Magnet Weight	: 1,090g / 4.298lb (main)
	: n/a (cancel)
Net Weight	: 3,870g / 15.260lb

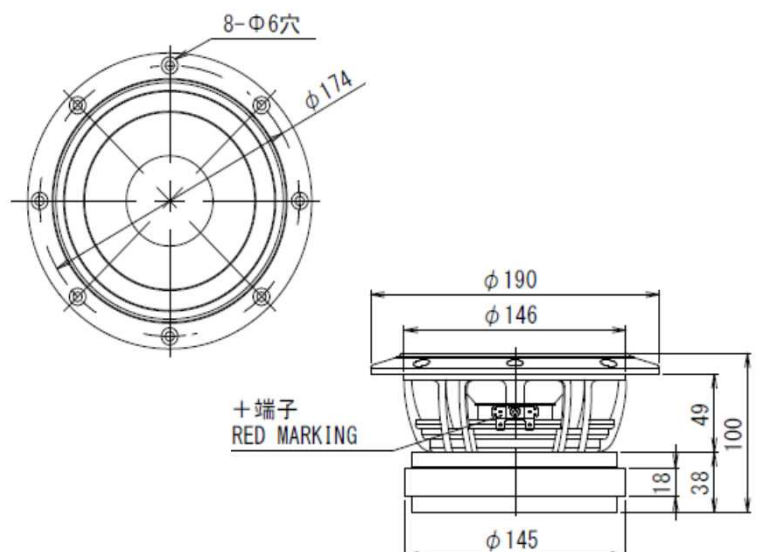
a	: 65 mm
D	: 130 mm
Sd	: 0.01327 m ²
Zn	: 8 Ω
Fs	: 42 Hz
Re	: 5.9 Ω
Le	: 0.47 mH
Qms	: 13.8
Qes	: 0.346
Qts	: 0.34
Mms	: 25 g
BL	: 10.56 Tesla/m
Vas	: 14.31 L
Xmax	: 4 mm
Eff/n0	: 0.28 %
Cms	: 0.6 m/N
EBP	: 121.387

Frequency Response



Dimensions

/ Mounting Information



Overall Diameter	: 190mm / 7.5"
Baffle Hole Diameter	: 151mm / 6"
Depth	: 100mm / 3.94"