

W400AII

Features

- 400mm (16in) cone type woofer
- \varnothing 118mm/3.1kg larger alnico magnet
- Fine-ceramics multi-coated cone
- fo to 2.5kHz frequency response



Specifications & Thiele/Small Parameters

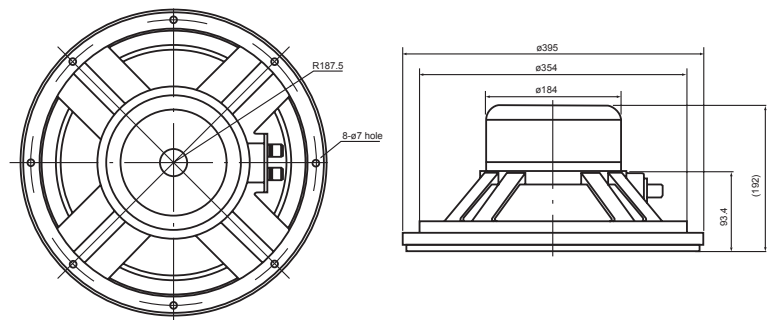
| | | |
|---------------------------------|---|---------------------|
| Size | : | 400 mm / 16 in |
| Voice Coil Diameter | : | 100 mm / 2.5 in |
| Cast / Stamped | : | Cast |
| Impedance | : | 8 Ω |
| Reproduction Frequency Response | : | fs - 2.5 kHz |
| Sound Pressure Level | : | 97 dB/W(m) |
| Rated Input | : | 75 W |
| Music Power | : | 200W |
| Magnet Material | : | Alnico |
| Magnet Weight | : | |
| (main) | : | 3,100 g / 6.834 lb |
| (cancel) | : | n/a g / n/a lb |
| Net Weight | : | 15,200 g / 33.51 lb |

| | | |
|---------------|---|-----------------------|
| a | : | 160 mm |
| D | : | 337 mm |
| Sd | : | 0.0892 m ² |
| Zn | : | 8 Ω |
| Fs | : | 25 Hz |
| Re | : | 6.8 Ω |
| Le | : | 0.13 mH |
| Qms | : | 14.94 |
| Qes | : | 0.32 |
| Qts | : | 0.32 |
| Mms | : | 134.50 g |
| BL | : | 21.19 Telsa/m |
| Vas | : | 312.30 L |
| Xmax | : | 7.0 mm |
| Eff/ η 0 | : | 1.46 % |
| Cms | : | 0.028 mm/N |
| EBP | : | 78 |

Frequency Response / Impedance



Dimensions & Mounting Information



| | | |
|----------------------|---|-----------------|
| Overall Diameter | : | 396 mm / 16 in |
| Baffle Hole Diameter | : | 354 mm / 14 in |
| Depth | : | 192 mm / 7.5 in |