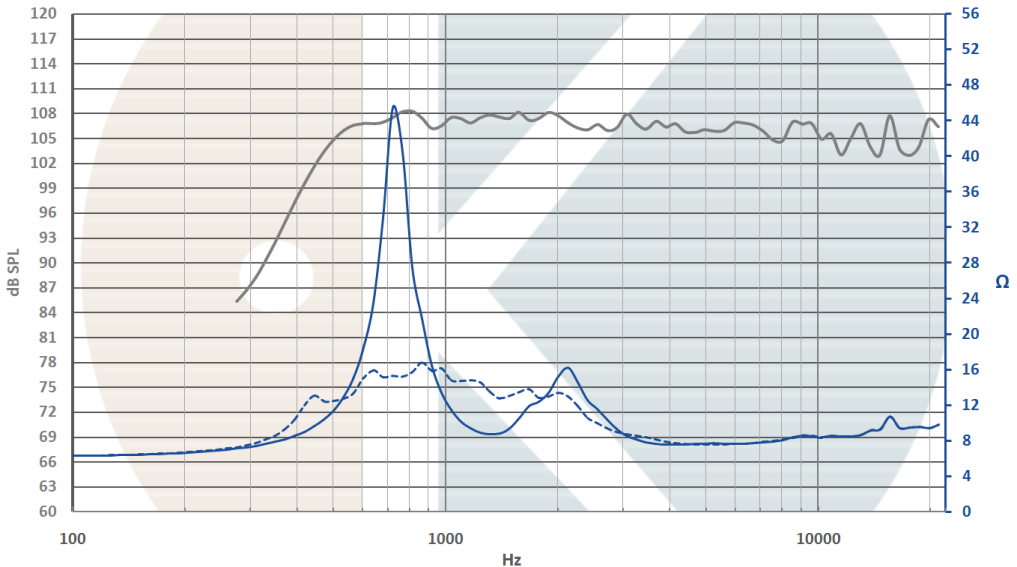


## Cmp65\_vPA

Innovative 1,5inch professional compression driver.



1,5inch output compression driver using specifically treated titanium diaphragm and advanced motor structure. Very natural sounding and extremely low distortion (lower than 0.5% from 700Hz to 7000Hz at 106dB, 1m). Recommended for high quality 2 ways systems, with crossover point from 700Hz to 1200Hz.



On IEC baffle / Distance: 1m / Signal input: 2,83V / High pass filter at 500Hz (24dB/Oct)  
 Measured with exponential horn with Fc = 500Hz

Smoothing: 1/24 Octave/ Impedance measured without horn / dash curve is impedance with horn

## Advanced construction

### Membrane

Proprietary treated titanium diaphragm

### Suspension

Integrated on the diaphragm

### Voice coil:

Ø65mm, ribbon CCA wire  
KSV former

### Motor structure:

High grade NdFeB magnet  
Optimized pole pieces  
Demodulated by cooper & aluminum rings  
21500 Gauss on 3,5mm height

### Frame

Injected aluminum back chamber

## T&S

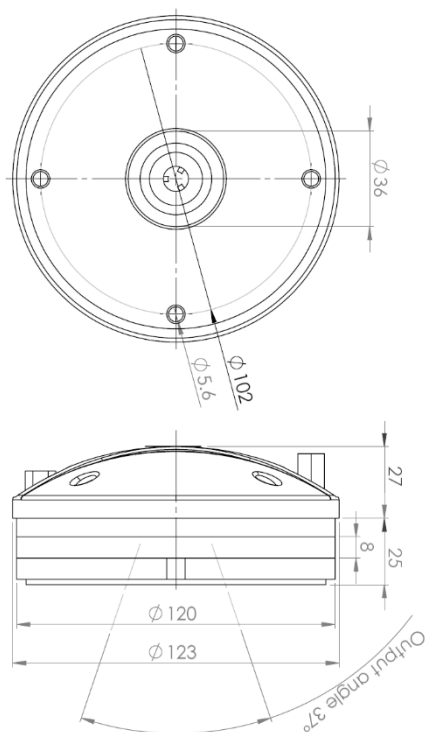
Fs 720Hz (without horn)  
SPL 106dB/2.8V/1m  
Re 6.2Ω

Qms -  
Qts -  
Bl 16.4N/A

VAS -  
Mms 0.52g  
Sd 33.9cm<sup>2</sup>

Linear excursion: +/-0.35mm  
Maximal excursion: +/-0.55mm

Nominal power: 90W  
Maximal power handling: 160W  
(with high-pass filter, 12dB/Oct at 750Hz)



## Integrated innovation



.Kooling



.monoKore



.Konstant Bl(X)



.Konstant Le(X)

Visit our website to discover our innovation