

## Cox165\_vPA

Professional 6" coaxial.

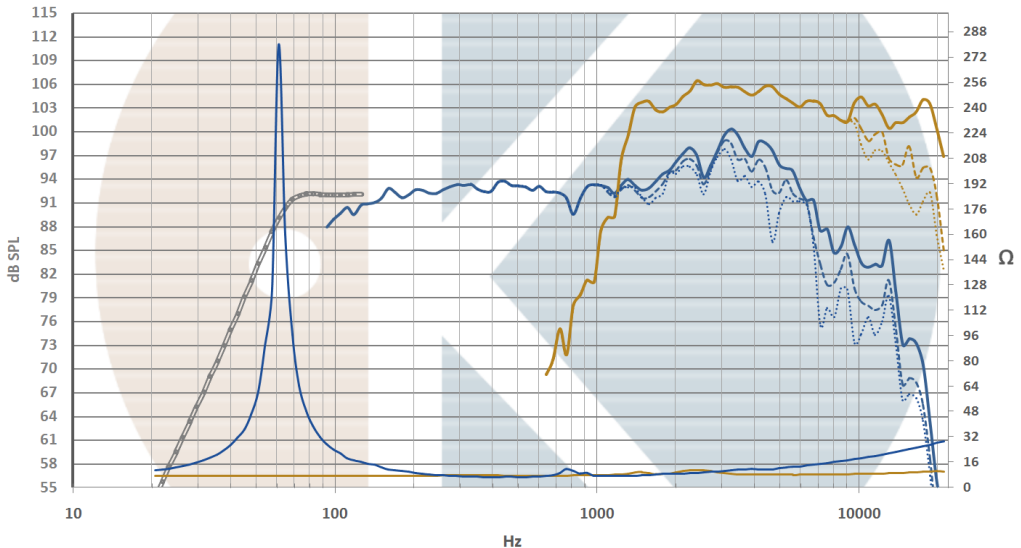


Cox165\_vPA is a professional coaxial loudspeaker, designed to cover 65 - 20 000Hz (-3dB).

Thanks the advanced motor structure, the Carbone fiber cone and the linear suspension, the mid-woofer has very low THD, and very dynamic sounding.

The compression driver uses Neodymium magnet, treated aluminum dome and integrates heat sink for better power handling.

We suggest a crossover point around 2800Hz, 12dB/Oct.



## Cox165\_vPA

Our products can be adapted to your technical requirements and brand spirit.

[www.Kartesian-acoustic.com](http://www.Kartesian-acoustic.com) \_ Phone: +33 6 8035 4115 \_ Rue des Rossignols, 67450 Ostwald, France



## Advanced construction

### Membrane

**W:** Carbone / **T:** Aluminum

### Suspension (woofer)

Low lost - NBR material  
Innovative dynamiK spider

### Voice coil:

**W:** Ø36mm, Cu wire / Polyimide former  
**T:** Ø25mm, CCA wire / KSV former

### Motor structure:

**W:** Dual magnets (Fe + NdFeB) / Cooper ring  
15600 Gauss on 5mm height  
**T:** NdFeB magnet  
14600 Gauss on 2.2mm height

### Frame

**W:** Injected aluminum, vented spider  
**T:** Aluminum, heat sink integrated

## T&S (Woofer)

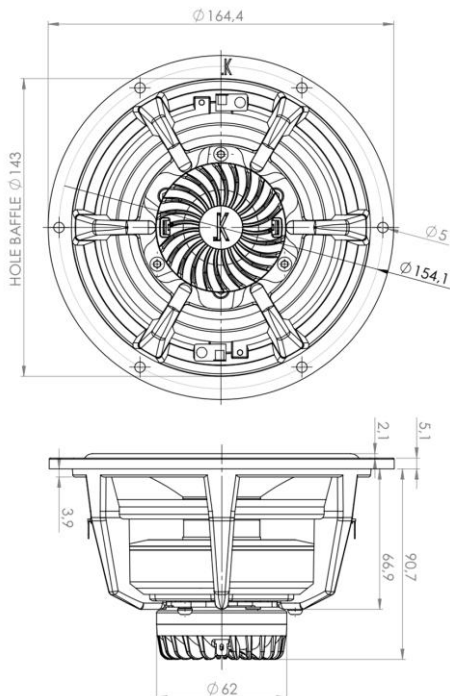
**Fs** 61Hz  
**SPL** 93.5dB/2.8V/1m  
**Re** 7Ω

**Qms** 16.4  
**Qts** 0.257  
**Bl** 9.93N/A

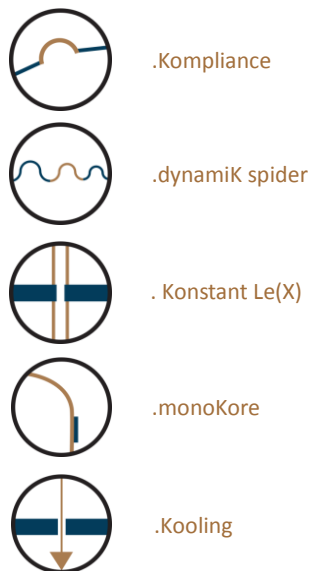
**VAS** 14.01L  
**Mms** 9.6g  
**Sd** 118cm<sup>2</sup>

Linear excursion: +/-4mm  
Maximal excursion: +/-6mm

Nominal power: 150W  
Maximal power handling: 200W  
*(with high pass filter at 50Hz - 12dB/Oct.)*



## Integrated innovation



Visit our website to discover our innovation

## Cox165\_vPA

Our products can be adapted to your technical requirements and brand spirit.

[www.Kartesian-acoustic.com](http://www.Kartesian-acoustic.com) \_ Phone: +33 6 8035 4115 \_ Rue des Rossignols, 67450 Ostwald, France

