



## Instruction for loudspeaker kit

Korpus\_5 is a high-quality bookshelves speaker, for demanding HiFi system or studio monitoring. The crossover point is set at 1600Hz, providing excellent off-axis response and very accurate midband reproduction. Korpus\_5 reproduces 45 – 26 000Hz (at -3dB) with very linear frequency response and low THD. Sound is neutral, detailed and dynamic, with comfortable low frequency extension (45Hz at -3dB).

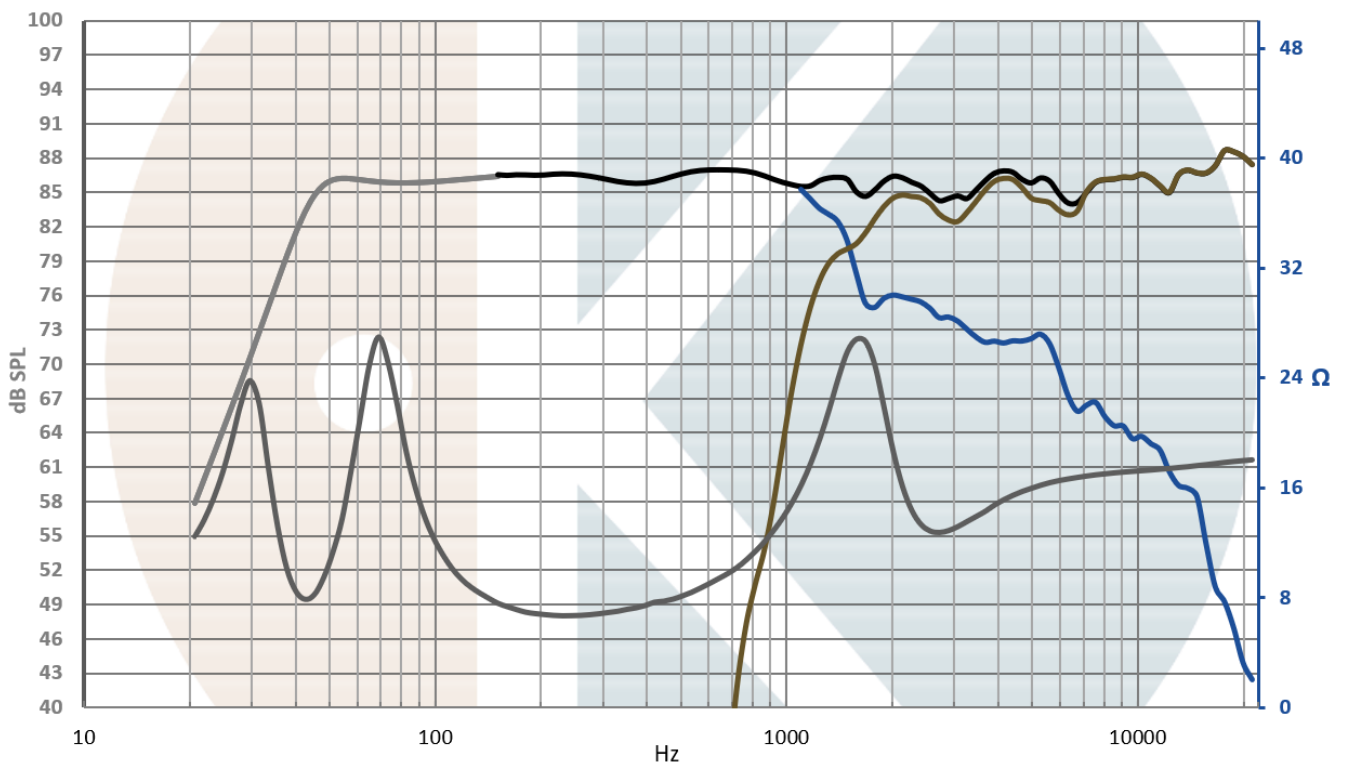


### The required Kartesian components are:

- Wom145\_vMS
- Twt30\_vMS
- Crossover Korpus\_5
- Terminal Bi-wiring terminal

Enclosure must be built according to following drawing.  
Damping material and screws are free choices from builder.

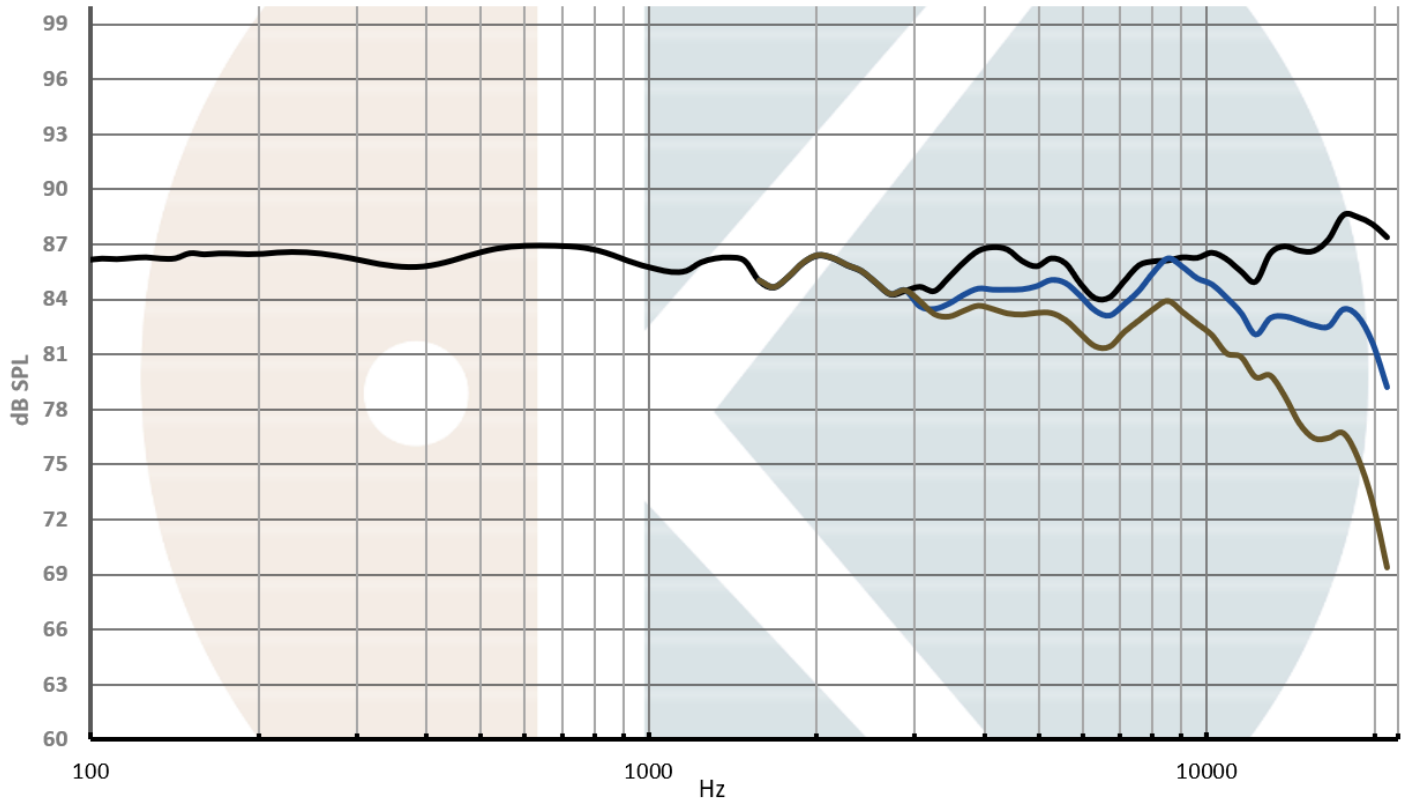
### Frequency response, Crossover, Impedance



*Korpus\_5 / Distance: 1m / Signal input: 2,83V / On axis / Smoothing: 1/12 Octave  
Impedance measured in Korpus\_5  
Curve below 150Hz is simulated in 10.5L vented enclosure, Fc = 46Hz (as Korpus\_5)*

All rights reserved. Passing on and copying of this document, use and communication of its contents not permitted without written authorization from .Kartesian Company

### Horizontal off-axis frequency response



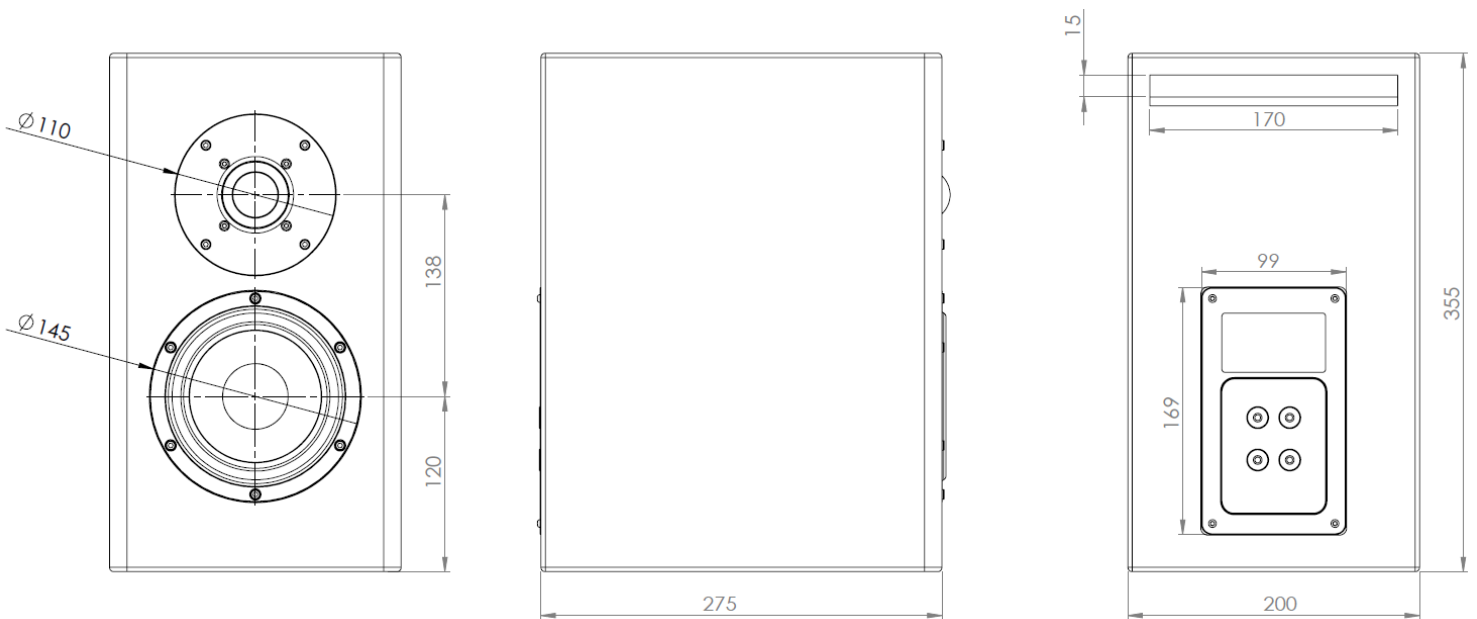
*Korpus\_5 / Distance: 1m / Signal input: 2,83V / On axis / Smoothing: 1/12 Octave  
Black : Axe / Blue : 20° / Dark yellow : 40°*

### Drawing main dimension

See detailed drawing on separate PDF

Suggested material : MDF, thickness : 15mm

Unit : mm



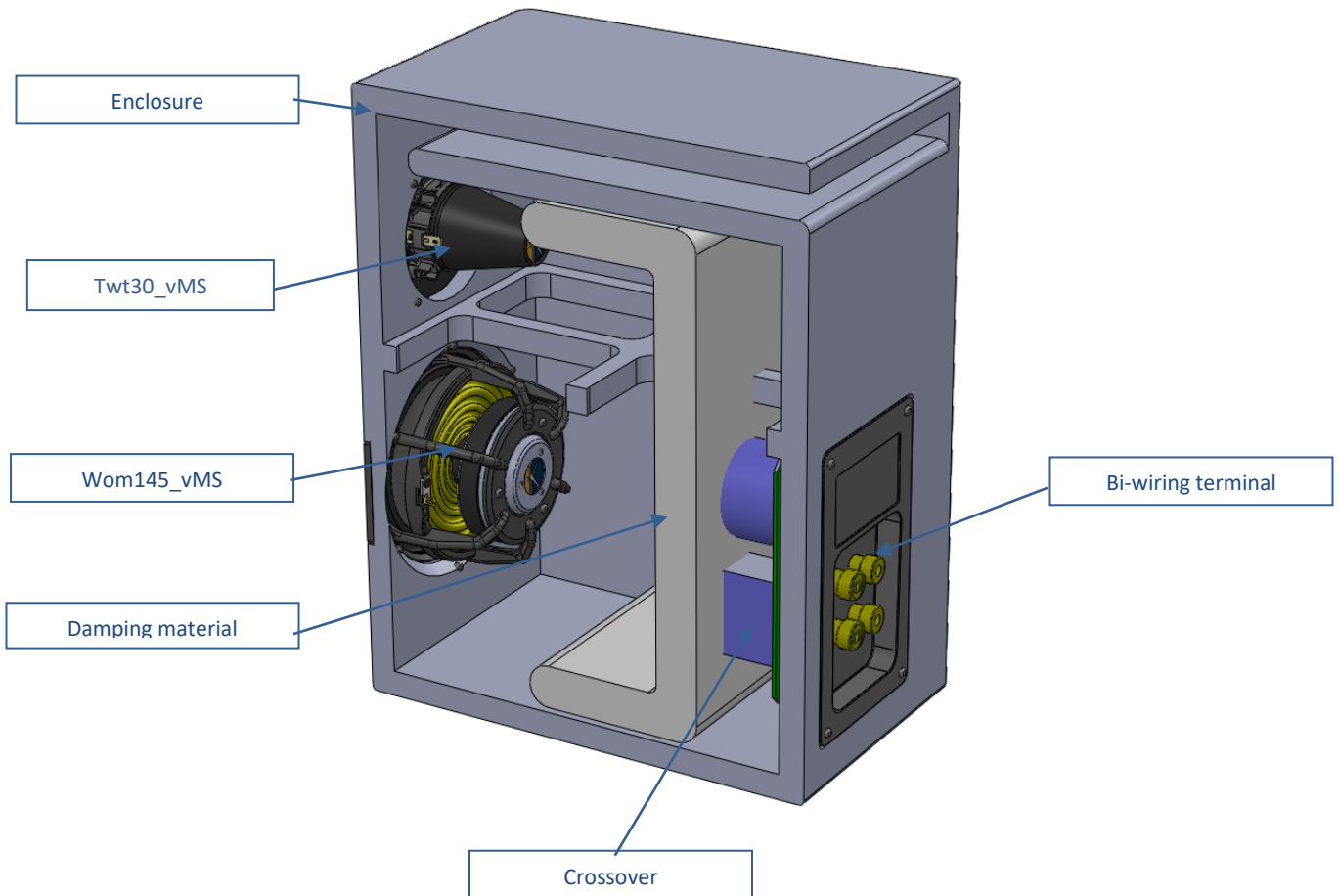


Inspiration for finish / design



All rights reserved. Passing on and copying of this document, use and communication of its contents not permitted without written authorization from Kartsian Company

## Overall view



### Crossover kit.

Wires to connect loudspeakers and terminal are included on crossover (Silver plated cooper, PTFE sheath).

Low-pass filter is 1<sup>st</sup> order (6dB/Octave) with impedance linearization.

High pass filter is 3<sup>rd</sup> order, (18dB/Octave), with L-Pad for tweeter attenuation.

Output cables must be connected as below:

- Black / Green = Wom145\_vMS. Black on negative speaker terminal, Green on positive speaker terminal.
- Black / Blue = Twt30\_vMS. Black on negative speaker terminal, Green on positive speaker terminal.

The PCB is designed to be screwed on Kartesian terminal as shown below (crossover and terminal separately sold).

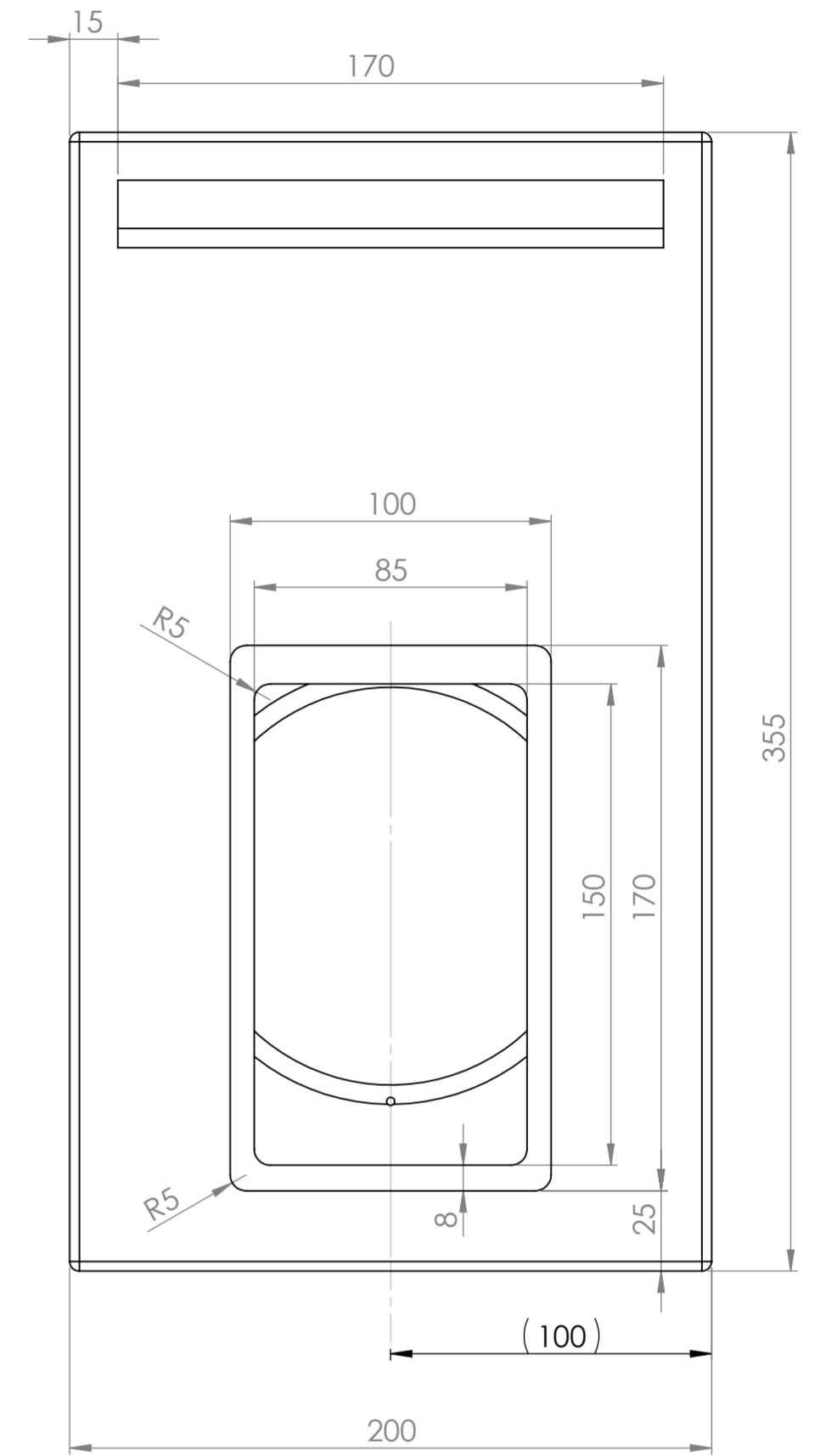
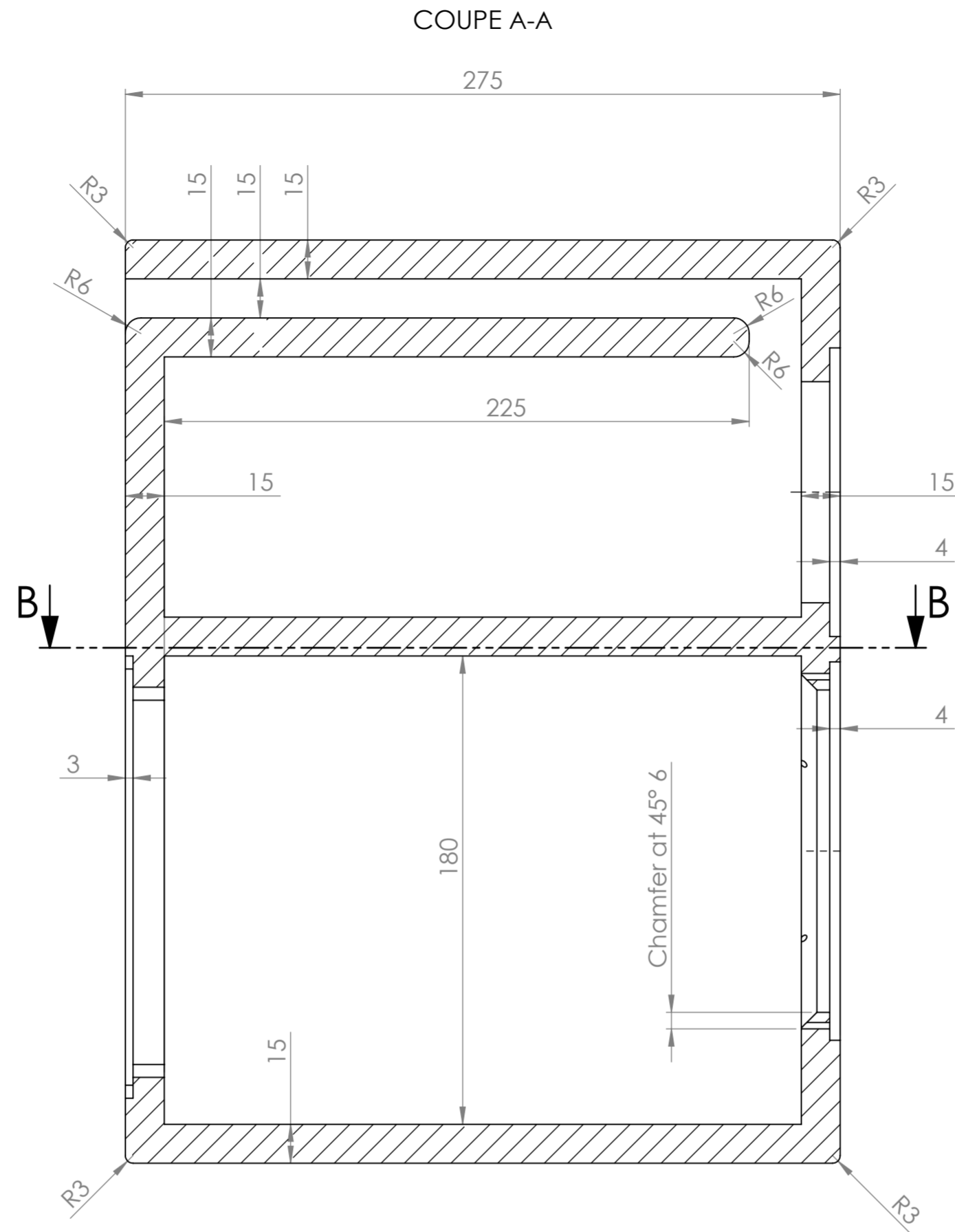
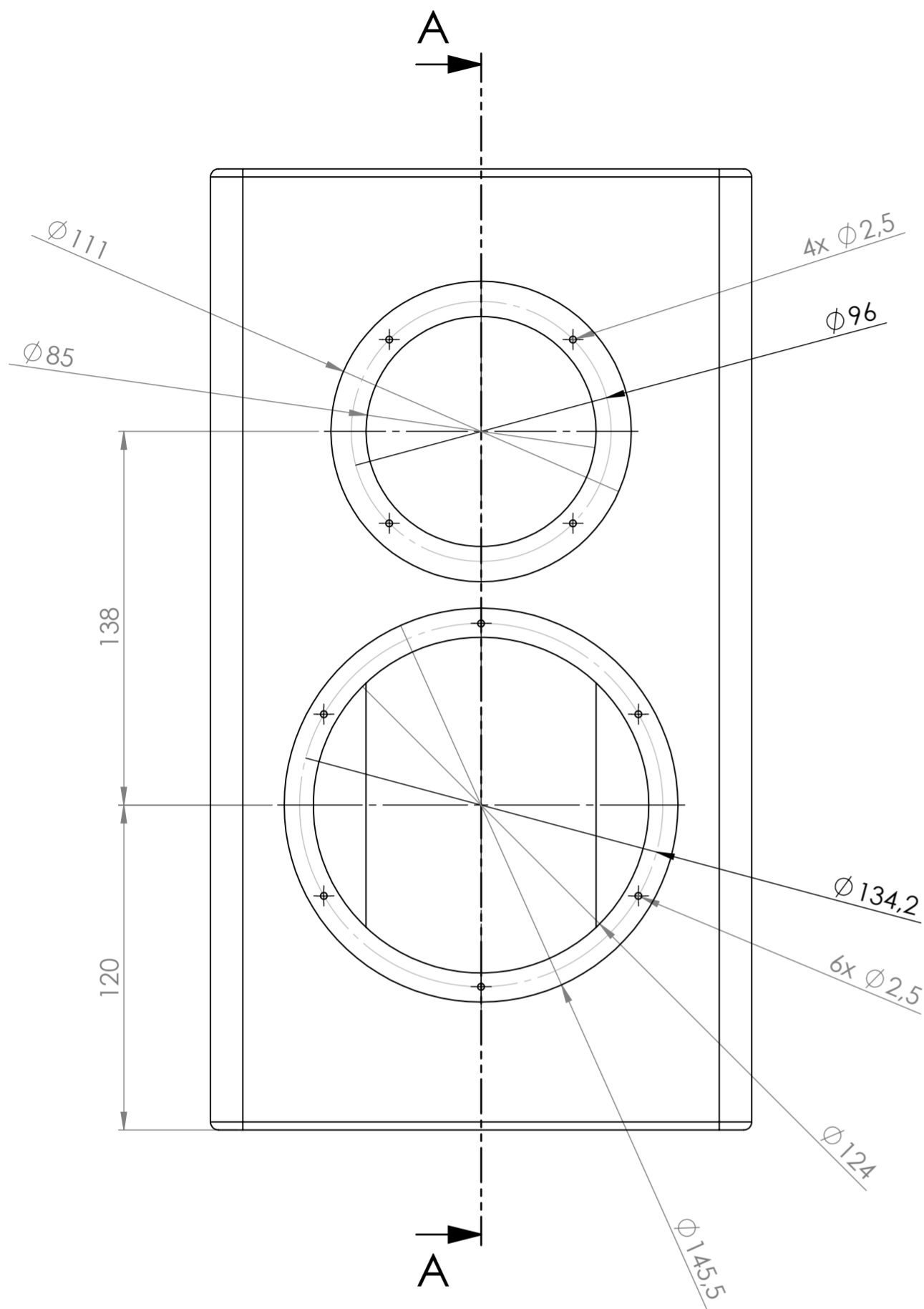


### Damping material

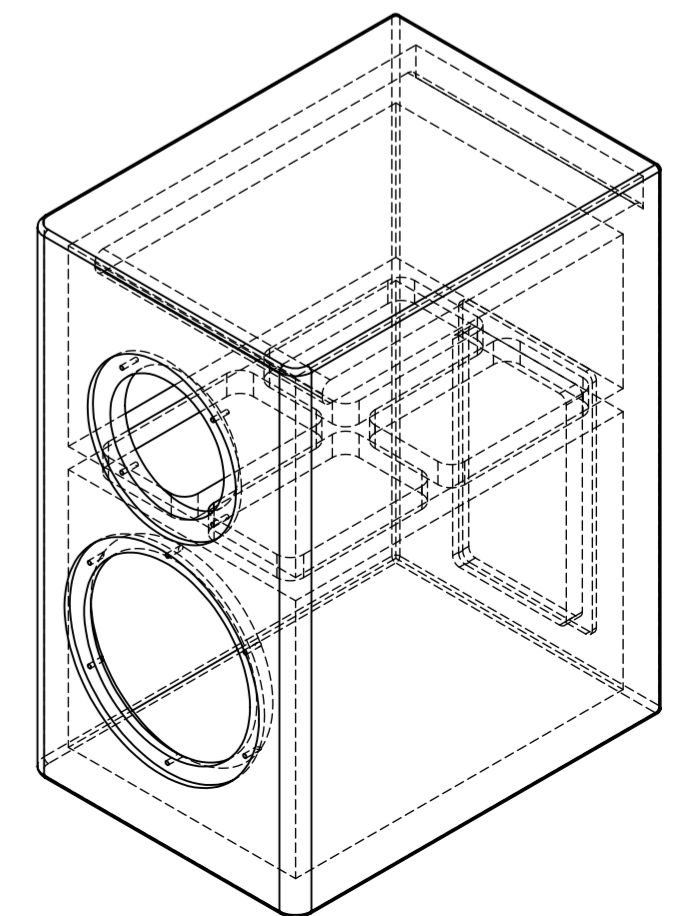
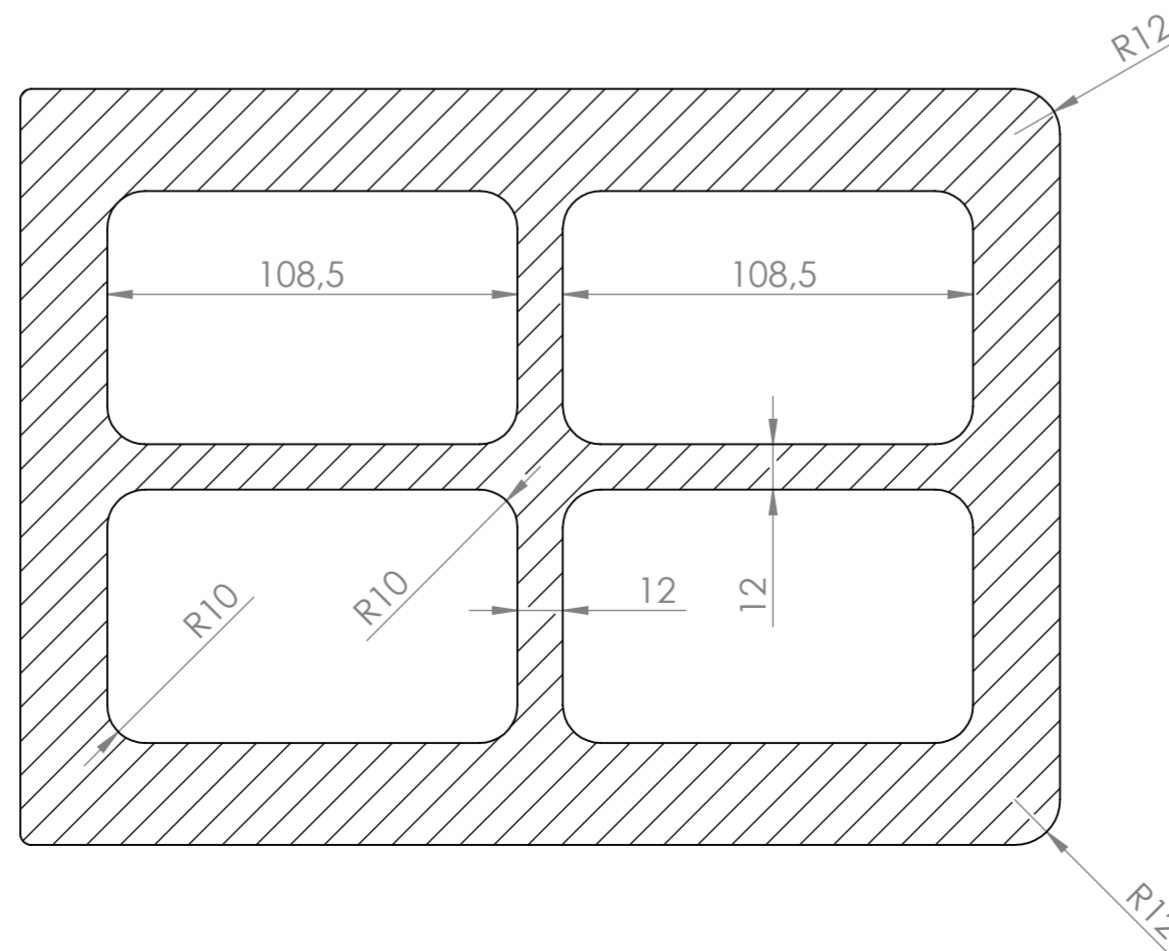
We recommend to used synthetic acoustic damping

1 sheet of 180mm x 400mm, thickness 30mm provide good compromise for bass extension and control.

Additional damping will slow down the air velocity and decrease the energy in low frequency.



COUPE B-B



## Korpus\_5

Unit : mm  
 Material : MDF or Plywood  
 Thickness : 15mm

*Note: This kit is dedicated to DIY community.  
 Kartesian couldn't be responsible of assembling  
 mistake and its consequences.*

