

## Vent\_v75

With optimized laminar flow



Vent with optimized cross section to avoid noises and turbulences in the air flow.

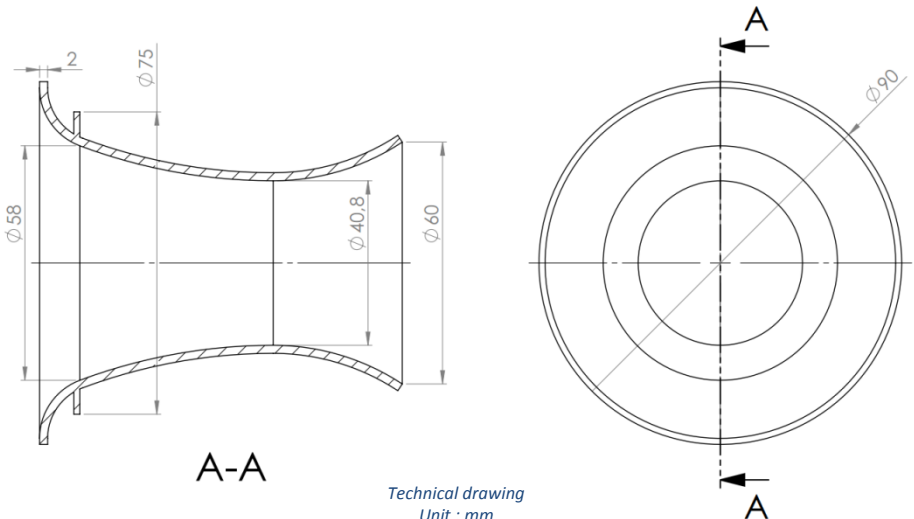
It is quiet with air speed until 22m/s.

Equivalent cylinder for enclosure calculation is :  $\varnothing 45\text{mm}$  / Length : 80mm.

Suitable for loudspeakers until  $\sim 135\text{mm}$  diameter.

Hole diameter to be cut on the enclosure is  $\varnothing 75\text{mm}$ , with recommended 3mm chamfer at 45°.

Four blades ensure stable assembling.



## Vent\_v75

For audio company, our products can be adapted to your technical requirements and brand spirit.

[www.Kartesian-acoustic.com](http://www.Kartesian-acoustic.com) 67400 Illkirch, France

