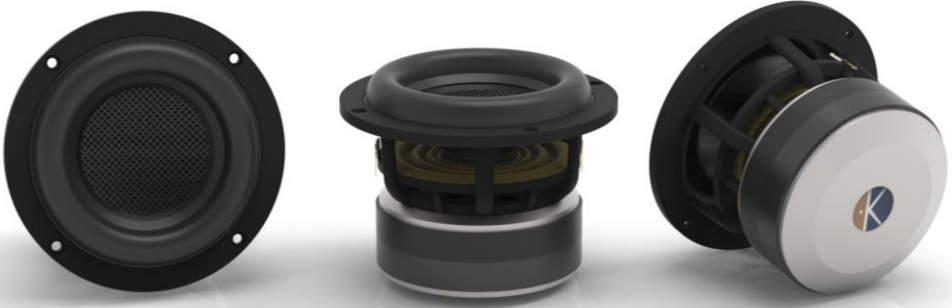


Sub120_vHP

High excursion 4" woofer

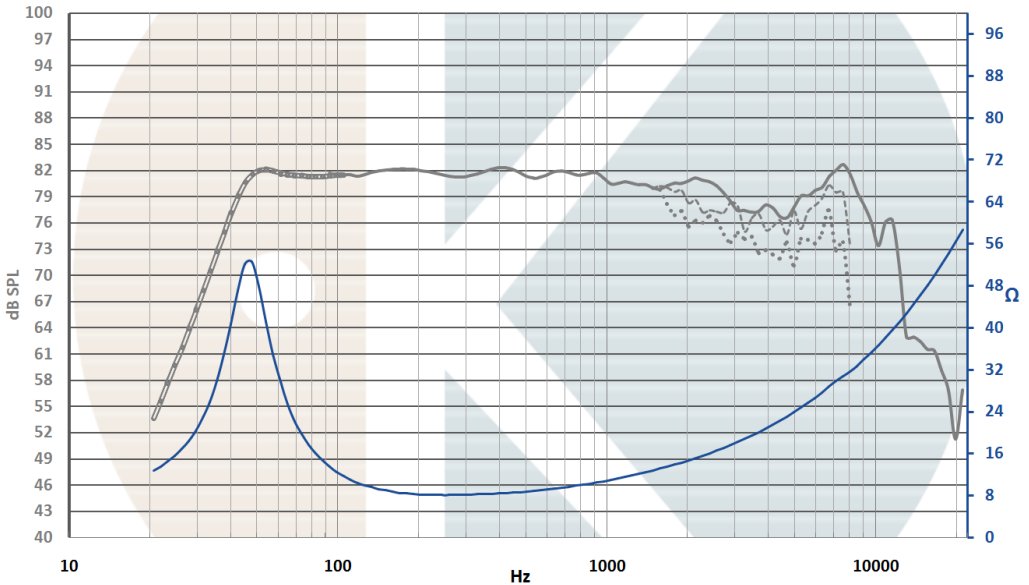


Sub120_vHP-F is a unique combination of a subwoofer and a mid-band.

Thanks to its 120mm diameter, the Aluminum - Carbone fiber cone works perfectly until 2500Hz.

The suspension and the motor structure has been designed to ensure long excursion with minimum distortion.

As a result, in association with our 28mm soft dome tweeter, it is possible to built a very compact 2 ways system (5 -6L) reproducing 45Hz to 3000Hz (-3dB).



On IEC baffle / Distance: 1m / Signal input: 2,83V / Dash curves: 30° & 60°
 Impedance measured in free air / Smoothing: 1/6 Octave
 Curve below 100Hz is simulated in 5L vented enclosure, Fc = 48Hz

Sub120_vHP

Our products can be adapted to your technical requirements and brand spirit.

www.Kartesian-acoustic.com _ 67400 Illkirch, France



Advanced construction

Membrane
Aluminum - Carbone fiber

Suspension
Large NBR surround
Innovative dynamiK spider

Voice coil:
Ø33mm, Cu wire
Kapton former

Motor structure:
2x High grade Fe magnets
Optimized pole pieces
Symmetric inductance device
11600 Gauss on 6mm height

Frame
Injected aluminum, vented spider

T&S

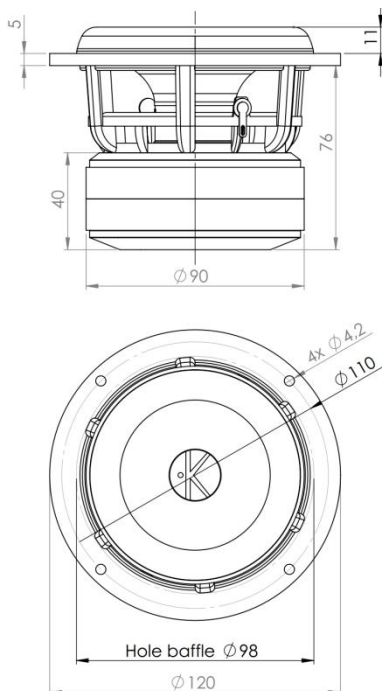
Fs 46Hz
SPL 82dB/2.8V/1m
Re 6.8Ω

Qms 2.52
Qts 0.332
Bl 8.6N/A

VAS 3.38L
Mms 14.48g
Sd 53.5cm²

Linear excursion: +/-6.5mm
Maximal excursion: +/-10mm

Nominal power: 80W
Maximal power handling: 150W



Integrated innovation



.Kompliance



.dynamiK spider



.foKus field

Visit our website to discover our innovation

Sub120_vHP

Our products can be adapted to your technical requirements and brand spirit.
www.kartesian-acoustic.com _ 67400 Illkirch, France

