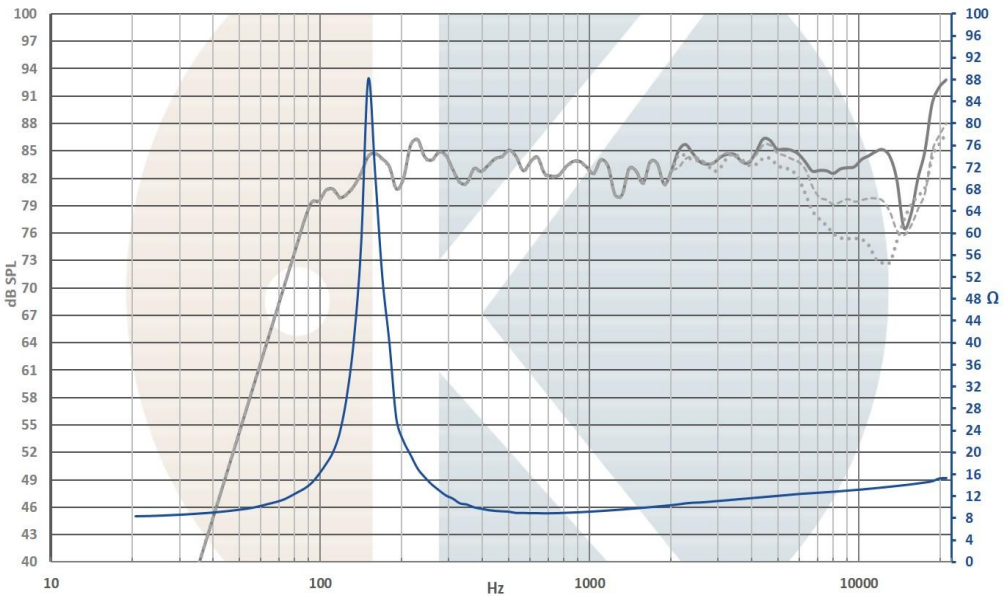


Wib50_vHP

High performances wide band loudspeaker.



Designed for home-theater, connected speaker, HiFi system, or very demanding multimedia products. It covers the audio band from 120Hz to 22000Hz at -3dB with very accurate sounding.



On IEC baffle / Distance: 1m / Signal input: 2,83V / High pass filter at 90Hz (48dB/Oct)
Dash curves: 30° & 60° / Smoothing: 1/24 Octave / Impedance measured in free air

Wib50_vHP

Our products can be adapted to your technical requirements and brand spirit.

www.Kartesian-acoustic.com _ Phone: +33 6 8035 4115 _ Rue des Rossignols, 67450 Ostwald, France



Advanced construction

Membrane
 Treated paper cone
 Aluminum dust cap

Suspension
 Proprietary dynamik spider
 Low losses rubber surround

Voice coil:
 $\varnothing 25\text{mm}$, CCA wire
 Vented Kapton former

Motor structure:
 Demodulated by cooper ring
 Dual NdFeB magnets structure
 11200 Gauss on 5.2mm height

Frame
 Exclusive frame with vented spider
 PA12 material

T&S

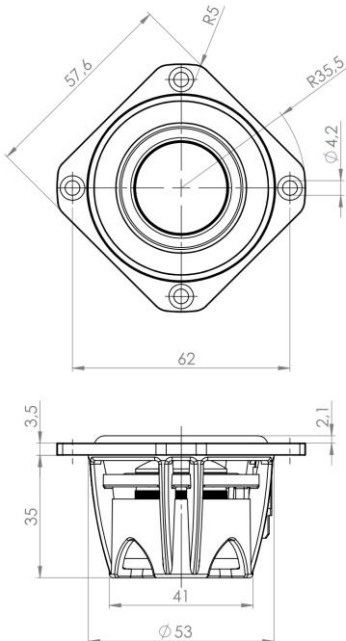
Fs 155Hz
 SPL 84dB/2.8V/1m
 Re 6.1 Ω

Qms 8%
 Qts 0.46%
 Bl 4.8N/A

VAS 0.17L
 Mms 1.9g
 Sd 14.5cm²

Linear excursion: +/-2.3mm
 Maximal excursion: +/-3.2mm

Nominal power: 20W
 Maximal power handling: 40W



Integrated innovation



.Konstant Le(X)



.foKus field



.dynamik spider

Visit our website to discover our innovation

Wib50_vHP

Our products can be adapted to your technical requirements and brand spirit.

www.kartesian-acoustic.com _ Phone: +33 6 8035 4115 _ Rue des Rossignols, 67450 Ostwald, France

