

By

Kartesian
SPEAKER INNOVATOR

For

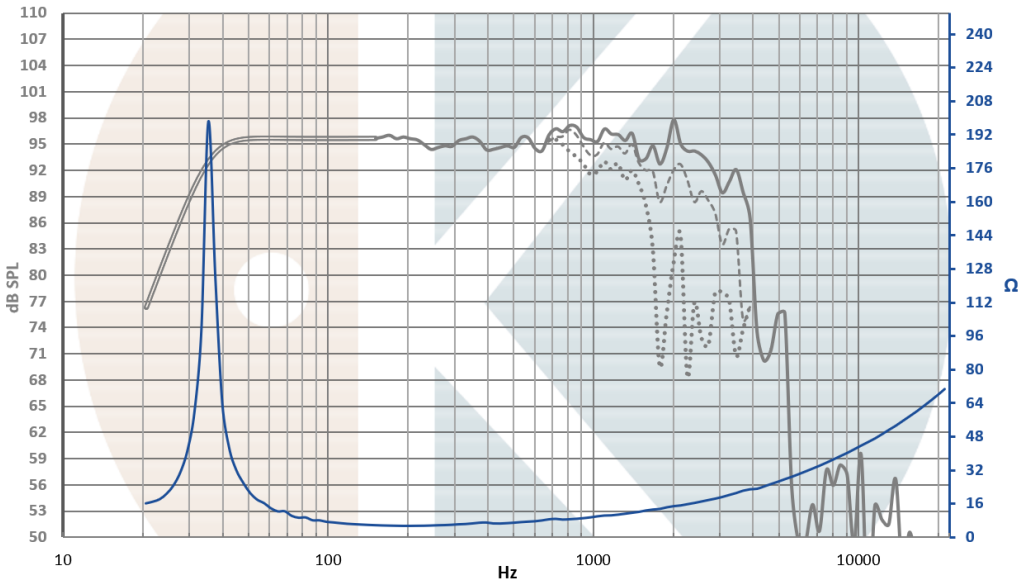
tlhp
TOUTLEHAUTPARLEUR.COM

Wom380_vTLHP

High quality 15" woofer



Wom380_vTLHP is a 15inch woofer, specifically developed according to TLHP requirements. It is a modern version of the mythic 15' woofers loved by HiFi passionate and music lovers. The motor structure is built with very low carbon steel, optimized pole pieces geometry to focus 13.2K Gauss on stiff top plate (9mm). Inductance modulation is managed by 2 Aluminum rings, keeping impedance very linear up-to 1Khz. The membrane is made of treated, pressed paper to ally excellent damping and low mass. The large Ø155mm carbon fiber dust cap ensure rigidity to the overall cone body. As a result, the frequency response is very linear, with smooth cone break-up, allowing 2 ways systems design. Wom380_vTLHP as been engineered to provide textured bass and detailed low-midrange. Recommended bandwidth at -3dB: 35 – 850Hz, 150L vented enclosure / low-pass filter at 12dB/Oct.



On IEC baffle / Distance: 1m / Signal input: 2,83V / Dash curves: 30° & 60°
Smoothing: 1/12 Octave / Impedance measured in free air
Curve below 150Hz is simulated in 150L vented enclosure. Fc = 35Hz

Wom380_vTLHP

Our products can be adapted to your technical requirements and brand spirit.

www.Kartesian-acoustic.com Rue Jean Sapidus, 67400 Illkirch, France



Advanced construction

Membrane

Pressed and treated paper
Carbon fiber dust cap

Suspension

Triple rolls, Damped fabric
Polyester / Cotton spider

Voice coil:

Ø76mm, Cooper wire
Glass fiber former

Motor structure:

Y40 grade Fe magnet
Demodulated by Aluminum rings
Optimized and vented pole pieces

Frame

Injected aluminum / Vented spider
Sealing ring on the front

T&S

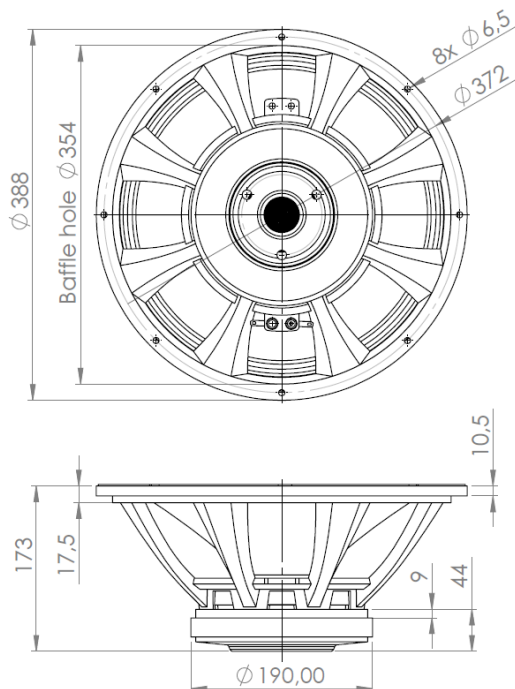
Fs 36Hz
SPL 95dB/2.8V/1m
Re 4.8Ω

Qms 16.8
Qts 0.4
Bl 17.85N/A

VAS 159.2L
Mms 120g
Sd 830cm²

Linear excursion: +/-6.5mm
Maximal excursion: +/-9mm

Nominal power (standard AES:2012): 350W
Maximal power (continuous program): 600W



Integrated innovation



.Konstant Le(X)



.Kooling

Visit our website to discover our innovation

Wom380_vTLHP

Our products can be adapted to your technical requirements and brand spirit.
www.Kartesian-acoustic.com Rue Jean Sapidu, 67400 Illkirch, France

