

DN07.10LM

Lavoce

0,75" COMPRESSION DRIVER

NEODYMIUM MAGNET

PRELIMINARY

- 1 INCH CCAW VOICE COIL
- 109 dB/SPL SENSITIVITY
- 20 W PROGRAM POWER HANDLING
- FEM OPTIMIZED MOTOR, PHASEPLUG AND DIAPHRAGM
- 1500 - 18000 Hz FREQUENCY RANGE
- POLYESTER DIAPHRAGM



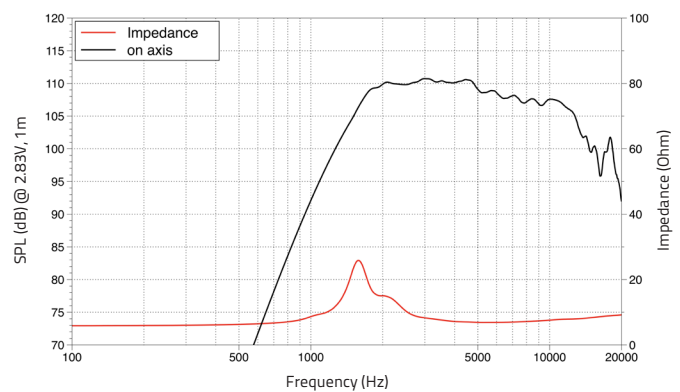
GENERAL SPECIFICATIONS

| | | |
|----------------------------|----------------------|--------------|
| Throat diameter | mm (in.) | 19 (0,75) |
| Nominal impedance | Ω | 8 |
| Minimum impedance | Ω | 6,8 |
| Program power (1) | W | 20 |
| AES Power rating (2) | W | 10 |
| Sensitivity (3) | dB | 109 |
| Frequency range | Hz | 1500 ÷ 18000 |
| Voice coil diameter | mm (in.) | 25,4 (1) |
| Magnet material | | Neodymium |
| Magnet OD | mm (in.) | 46 (1.8) |
| Coil material | | CCA W |
| Former material | | Kapton |
| Diaphragm material | | Polyester |
| Surround material | | Polyester |
| Voice coil Inductance | mH | 0,04 |
| Flux density | T | 1,65 |
| Recommended crossover (4) | Hz | 2500 |
| Driver displacement volume | l (ft ³) | 0,03 (0.001) |

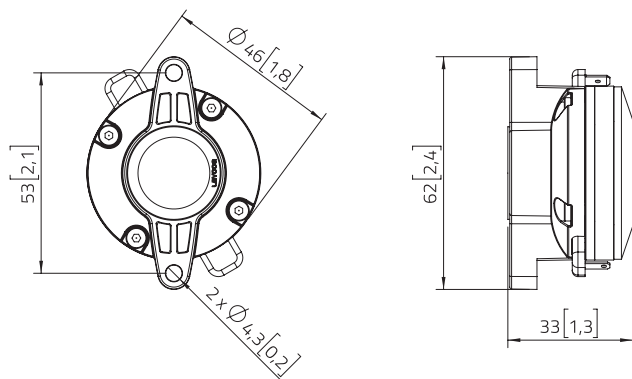
SHIPPING INFORMATION

| | | |
|---------------------|----------|---------------------|
| Net weight | kg (lb.) | 0,15 (0.33) |
| Multipack size (12) | mm | 364 x 364 x 161 |
| W x D x H | (in.) | (14,3 x 14,3 x 6,3) |
| Multipack weight | kg (lb.) | 2 (4.4) |

FREQUENCY RESPONSE



DIMENSIONS mm (in.)



(1) Program power is defined as 3 dB greater than AES Power. (2) Horn loaded test for 2h with continuous, band-limited (2500-20000 Hz, 12dB/oct.) pink noise as per AES 2-1984 Rev. 2003. (3) Measured on axis at 2.83V, 1m, driver loaded with 60° x 40° horn, SPL averaged in the frequency range 1500 ÷ 18000 Hz. (4) High pass filter with slope 12dB/oct. or higher.

All specifications subject to change without notice_B.a

