

DN10.172KS

Lavoce

1" COMPRESSION DRIVER

NEODYMIUM MAGNET



- 1.7 INCH EDGEWOUND CCA VOICE COIL
- 110 dB/SPL SENSITIVITY
- 110 W PROGRAM POWER HANDLING
- FEM OPTIMIZED MOTOR, PHASEPLUG AND DIAPHRAGM
- 1200 - 20000 Hz FREQUENCY RANGE
- POLYIMIDE DIAPHRAGM
- SCREW-ON FITTING FOR 1-3/8 INCH-18 TPI THREADED HORNS
- NEXT GENERATION HF DESIGN

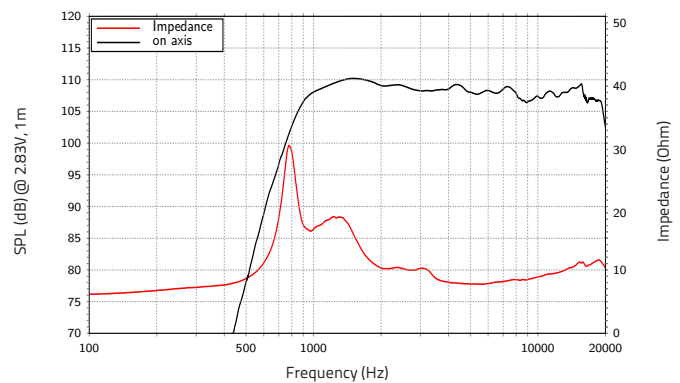
GENERAL SPECIFICATIONS

Throat diameter	mm (in.)	25,4 (1)
Nominal impedance	Ω	8
Minimum impedance	Ω	7,8
Program power (1)	W	110
AES Power rating (2)	W	55
Sensitivity (3)	dB	110
Frequency range	Hz	1200 ÷ 20000
Voice coil diameter	mm (in.)	44,4 (1.7)
Magnet material		Neodymium
Magnet OD	mm (in.)	85 (3.3)
Coil material		Edgewound CCA
Former material		Kapton
Diaphragm material		Polyimide
Surround material		Polyimide, vented
Voice coil Inductance	mH	0,08
Flux density	T	1,95
Recommended crossover (4)	Hz	1500
Driver displacement volume	l (ft ³)	0,2 (0.007)

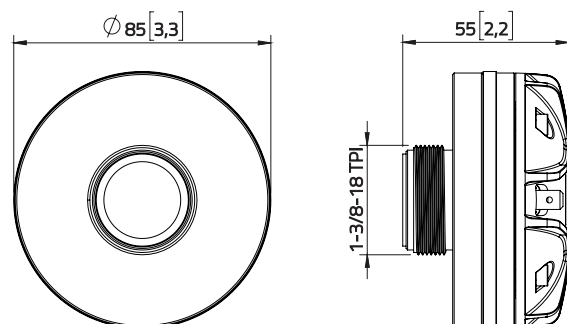
SHIPPING INFORMATION

Net weight	kg (lb.)	0,9 (1.98)
Multipack size (12)	mm	376 x 278 x 167
W x D x H	(in.)	(14.8 x 10.9 x 6.6)
Multipack weight	kg (lb.)	12,9 (28.4)

FREQUENCY RESPONSE



DIMENSIONS mm (in.)



(1) Program power is defined as 3 dB greater than AES Power. (2) Horn loaded test for 2h with continuous, band-limited (1500-20000 Hz, 12dB/oct.) pink noise as per AES 2-1984 Rev. 2003. (3) Measured on axis at 2.83V, 1m, driver loaded with HD1003 horn, SPL averaged in the frequency range 1200 ÷ 20000 Hz. (4) High pass filter with slope 12dB/oct. or higher.

All specifications subject to change without notice_E.a

WWW.LAVOCESPEAKERS.COM



Lavoce Italiana

sales@lavocespeakers.com sales.cn@lavocespeakers.com