

DN14.40T

Lavoce

1.4" COMPRESSION DRIVER

NEODYMIUM MAGNET

PRELIMINARY

- 4 INCH EDGEWOUND CCA VOICE COIL
- 109 dB/SPL SENSITIVITY
- 260 W PROGRAM POWER HANDLING
- FEM OPTIMIZED MOTOR, PHASEPLUG AND DIAPHRAGM
- 500 - 20000 Hz FREQUENCY RANGE
- TITANIUM DIAPHRAGM AND KAPTON SUSPENSION



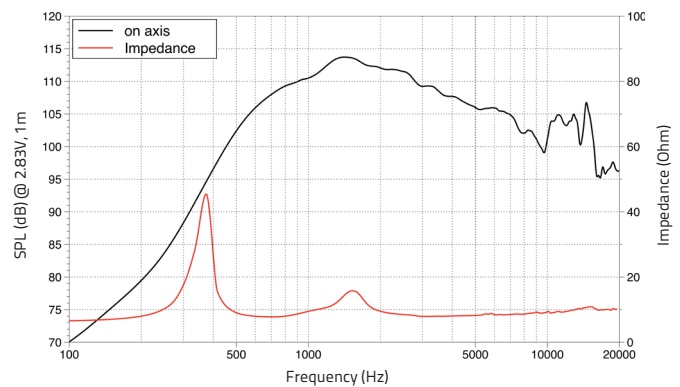
GENERAL SPECIFICATIONS

| | | |
|----------------------------|----------------------|-------------|
| Throat diameter | mm (in.) | 36 (1.4) |
| Nominal impedance | Ω | 8 |
| Minimum impedance | Ω | 7.8 |
| Program power (1) | W | 260 |
| AES Power rating (2) | W | 130 |
| Sensitivity (3) | dB | 109 |
| Frequency range | Hz | 500 ÷ 20000 |
| Voice coil diameter | mm (in.) | 100 (4) |
| Magnet material | Neodymium | |
| Magnet OD | mm (in.) | 140 (5.5) |
| Coil material | Edgewound CCA | |
| Former material | Kapton | |
| Diaphragm material | Titanium | |
| Surround material | Kapton | |
| Voice coil Inductance | mH | 0.17 |
| Flux density | T | 1.9 |
| Recommended crossover (4) | Hz | 800 |
| Driver displacement volume | l (ft ³) | 0,7 (0.025) |

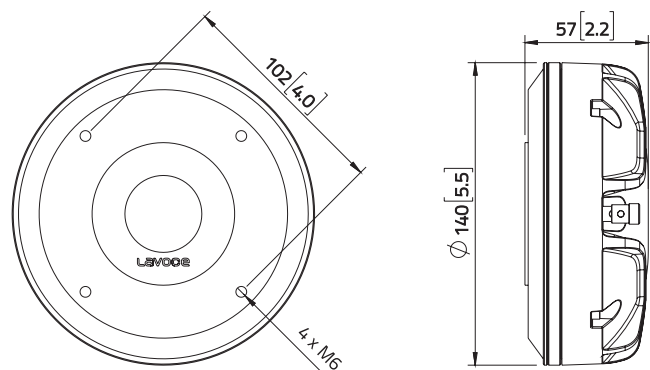
SHIPPING INFORMATION

| | | |
|--------------------|----------|-----------------------------------|
| Net weight | kg (lb.) | 2.0 (4.4) |
| Multipack size (9) | mm (in.) | 570 x 538 x 103 (22.4 x 21.2 x 4) |
| Multipack weight | kg (lb.) | 21,1 (46.5) |

FREQUENCY RESPONSE



DIMENSIONS mm (in.)



(1) Program power is defined as 3 dB greater than AES Power. (2) Horn loaded test for 2h with continuous, band-limited (800-20000 Hz, 12dB/oct.) pink noise as per AES 2-1984 Rev. 2003. (3) Measured on axis at 2.83V, 1m, driver loaded with HD1403 horn, SPL averaged in the frequency range 500 ÷ 18000 Hz. (4) High pass filter with slope 12dB/oct. or higher.

All specifications subject to change without notice_B.a

WWW.LAVOCESPEAKERS.COM



Lavoce Italiana

sales@lavocespeakers.com sales.cn@lavocespeakers.com