

MAF061.50

Lavoce

6.5" MIDRANGE

FERRITE MAGNET
ALUMINIUM BASKET DRIVER



- 1.5 INCH EDGEWOUND CCA VOICE COIL
- 97 dB/SPL SENSITIVITY
- 240 WATT PROGRAM POWER HANDLING
- FEM OPTIMIZED MOTOR AND SUSPENSIONS
- OPTIMIZED COOLING SYSTEM
- ALUMINUM DEMODULATION RING
- RESONANCE FREE AND HEAVY DUTY BASKET DESIGN
- TRIPLE ROLL SURROUND

GENERAL SPECIFICATIONS

Nominal diameter	mm (in.)	165 (6.5)
Nominal impedance	Ω	8
Minimum impedance	Ω	6,4
Program power (1)	W	240
AES Power rating (2)	W	120
Sensitivity (3)	dB	97
Frequency range	Hz	150 ÷ 9000
Voice coil diameter	mm (in.)	38 (1.5)
Chassis material	Aluminium	
Magnet material	Ferrite	
Magnet dimensions OD x ID x h	mm (in.)	120 x 60 x 20 (4.72 x 2.36 x 0.79)
Coil material	Edgewound CCA	
Former material	Polyimide	
Cone material	Water Proof Treated Paper	
Surround material	Polycotton	
Xmax (4)	mm (in.)	3,5 (0.14)
Xmech (5)	mm (in.)	6 (0.24)
Gap height	mm (in.)	6 (0.24)
Voice coil winding height	mm (in.)	10 (0.39)
Driver displacement volume	l (ft ³)	0,53 (0.019)

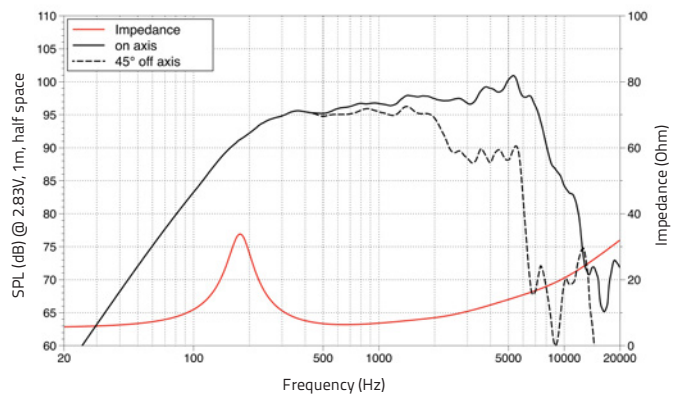
SMALL SIGNAL PARAMETERS

DC resistance	Re	Ohm	5,6
Resonance frequency	Fs	Hz	172
Moving mass	Mms	g (oz)	9,7 (0.34)
Compliance	Cms	mm/N	0,09
Force factor	BxL	N/A	10
Mechanical Q-factor	Qms		3,2
Electrical Q-factor	Qes		0,59
Total Q-factor	Qts		0,49
Equivalent air volume	Vas	l (ft ³)	2,55 (0.09)
Voice coil inductance	Le	mH	0,32
Diaphragm area	Sd	cm ² (in. ²)	143 (22.17)
Reference efficiency	Eta 0	%	2,13

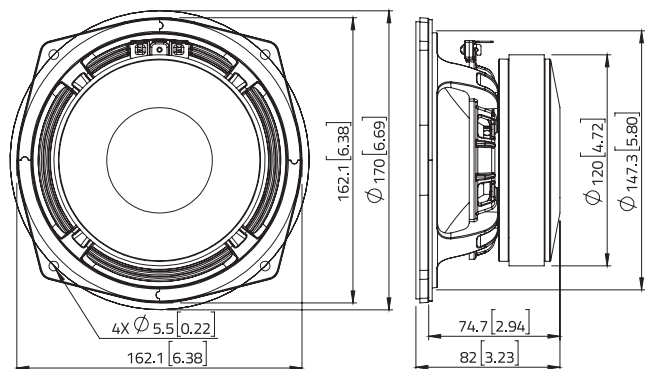
SHIPPING INFORMATION

Net weight	kg (lb.)	2,3 (5.1)
Multipack size (8)	mm (in.)	376 x 350 x 203 (14.8 x 13.8 x 8)
Multipack weight	kg (lb.)	20,6 (45.4)

FREQUENCY RESPONSE



DIMENSIONS mm (in.)



(1) Program power is defined as 3 dB greater than AES Power. (2) Tested for two hours using a continuous, band-limited pink noise signal as per AES 2-1984 Rev. 2003. Loudspeaker tested in free air. (3) From T/S parameters, measured with Klippel DA LPM module. (4) The Xmax is calculated as: $(Hvc - Hg)/2 + Hg/4$. Hvc is the voice coil height and Hg the gap height. (5) The Xmech is calculated as: $(Hvc - Hg)/2 + (Hg - 2)$. Hvc is the voice coil height and Hg the gap height. (6) Thiele-Small parameters are measured after preconditioning: a) at 20°C - 22°C, 50% humidity for 2 hours; b) by Klippel LSI measurement.

All specifications subject to change without notice_C.a

